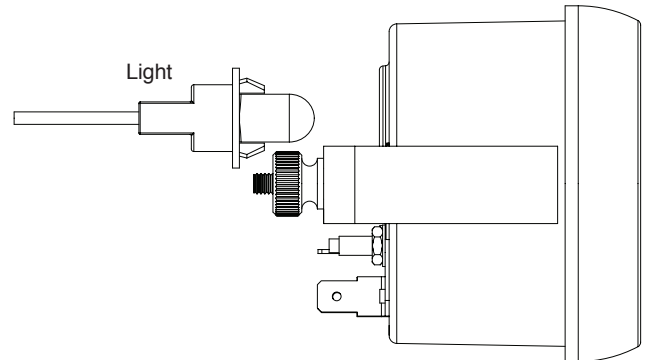


Mounting

These gauges are panel mounted (2 5/8" dia. hole for 2 5/8" gauges) or (2 1/16" dia. hole for 2 1/16" gauges). Fasten with bracket supplied as shown. (Hookup wires are required.) To assure this instrument functions properly, please read instructions thoroughly before installing.



SIDE VIEW

CAUTION! As a safety precaution, the +12 V terminal of this product should be fused before connecting it to the 12V ignition switch. We recommend using a 4 Amp, 3 AG fast-acting type cartridge fuse (Littlefuse® #312 004 or an equivalent).

Fuel Level

Disconnect negative battery cable when wiring and reconnect to check reading.

1. Disconnect negative (-) battery cable.
2. Existing wires may be used, or route proper length of 18 gauge, 2 conductor wire from fuel tank to gauge. Connect one end to terminal post on fuel level sender and opposite end to sender (S) terminal on gauge.
3. Connect wire from gauge ground terminal [GND(-)] to fuel tank ground.
4. Connect wire from ignition switch to positive I (+) terminal on gauge.

CAUTION: Be careful not to touch ignition wire to the sender (S) terminal on back of gauge or the sender will be damaged.

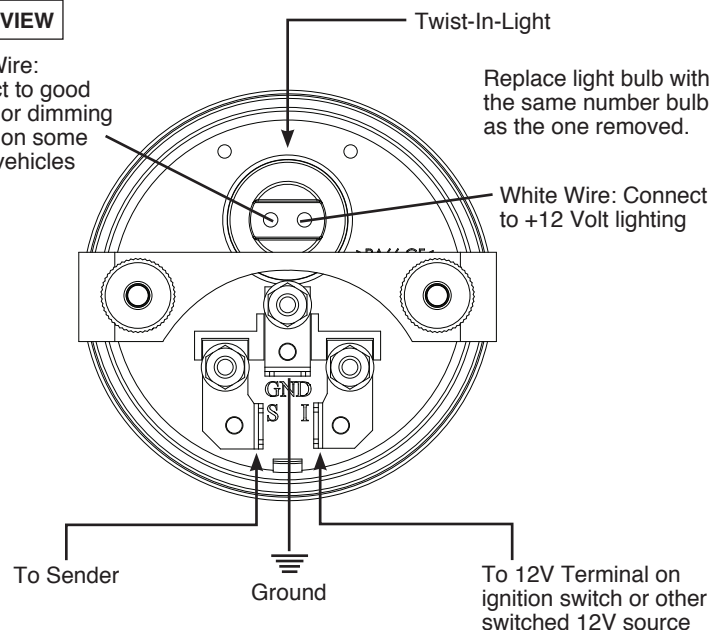
5. Install the light in the socket on the rear of the gauge and connect one wire to the dash lighting circuit or other 12V power source. Connect the other wire to ground.
6. Reconnect negative (-) battery cable.

BACK VIEW

Black Wire:
Connect to good ground or dimming circuits on some import vehicles

Replace light bulb with the same number bulb as the one removed.

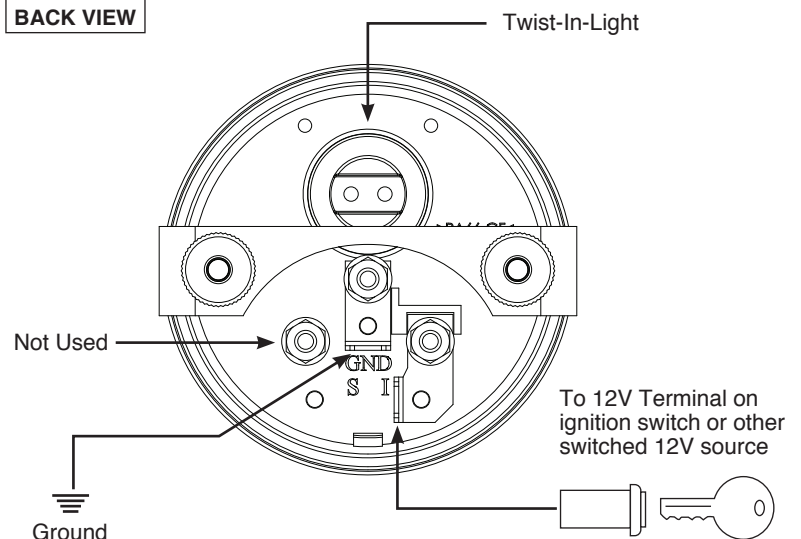
White Wire: Connect to +12 Volt lighting



Voltmeter

1. Disconnect negative (-) battery cable.
2. Using 18 gauge wire route one length through firewall using grommet. Attach one end to the [GND(-)] terminal on back of gauge, and the opposite end to a good engine ground.
3. Attach one length of wire to the positive I (+) terminal on back of gauge and opposite end to 12V terminal on ignition switch or other 12V power source.
4. Install the light in the socket on the rear of the gauge and connect one wire to the panel lighting circuit or other 12V power source. Connect the other wire to ground.
5. Reconnect negative (-) battery cable.

BACK VIEW

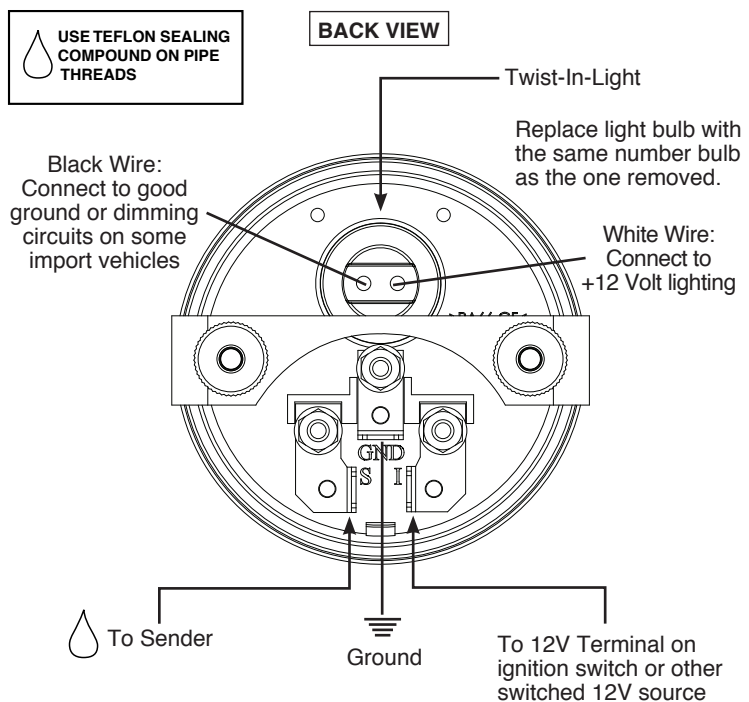


Pressure Gauges

1. Disconnect negative (-) battery cable.
2. When installing fuel pressure sender, an adapter may be required for your specific application.
3. Install sender into pressure port of appropriate type. **If unit is to be installed on a high vibration application such as a full race engine or engine capable of high RPM, it is strongly recommended that the sender be remote mounted to the firewall or other structural member to insulate from vibration. Failure to remote-locate pressure senders on such an application could result in gauge failure and potential damage to vehicle and/or operator injury.** Braided stainless steel lines are sold separately by Auto Meter, and can be used to accomplish this. Sender should automatically be grounded when installed. If not, or if remote relocation of sender is required, a ground connection to sender "body" may need to be made.
4. Route 18-gauge twin conductor wire through firewall using grommet. Connect one end to terminal post on pressure sender, and opposite end to sender (S) terminal on back of gauge.

CAUTION: Be careful not to touch ignition wire to the sender (S) terminal on back of gauge or the sender may be damaged.

5. Connect wire from ground terminal [GND (-)] on back of gauge to good engine ground near sender.
6. Connect wire from ignition switch to ignition I (+) terminal on back of gauge.
7. Install the light in the socket on the rear of the gauge and connect one wire to the panel lighting circuit or other 12V power source. Connect the other wire to ground.
8. Reconnect negative (-) battery cable.

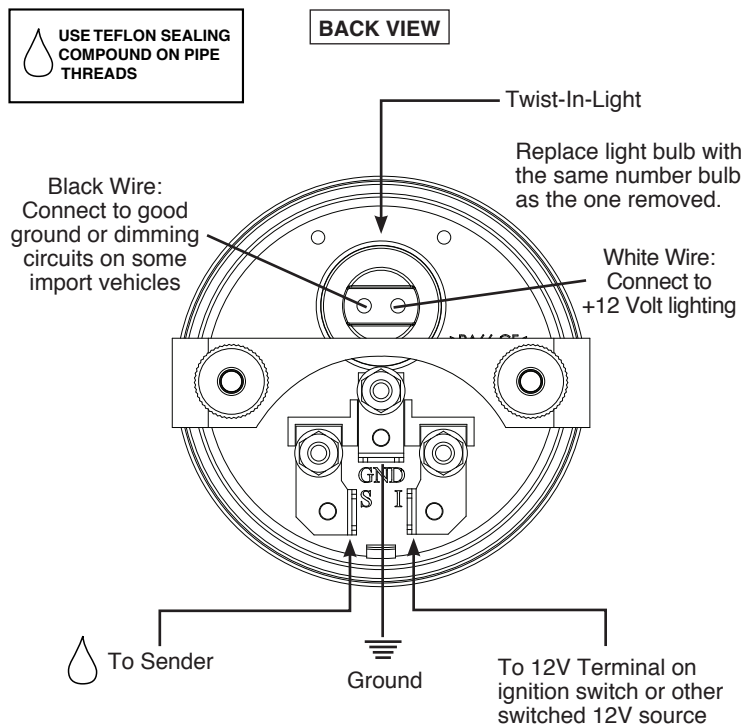


Temperature Gauges

1. Disconnect negative (-) battery cable.
2. Install temperature sender.
 - A. Water Temp: Install temperature sender.
 - B. Oil Temp: Hole may have to be drilled and adaptor nut welded or brazed in pan. Be sure there is adequate internal clearance for nut and sender. Sender should automatically be grounded when installed. If not, proper ground connections should be made.
 - C. Cylinder Head Temp: Head must be drilled and tapped. Sender should be grounded automatically when installed. If not, proper ground connections should be made.
3. Route 18-gauge twin conductor wire through firewall using grommet. Connect one end to terminal post on temperature sender, and opposite end to sender (S) terminal on back of gauge.

CAUTION: Be careful not to touch ignition wire to the sender (S) terminal on back of gauge or the sender may be damaged.

4. Connect wire from center terminal GND (-) on back of gauge to good engine ground near sender.
5. Connect wire from ignition switch to ignition I (+) terminal on back of gauge.
6. Install the light in the socket on the rear of the gauge and connect one wire to the panel lighting circuit or other 12V power source. Connect the other wire to ground.
7. Reconnect negative (-) battery cable.



SERVICE

For service send your product to Auto Meter in a well packed shipping carton. Please include a note explaining what the problem is along with your phone number. If you are sending product back for Warranty adjustment, you must include a copy (or original) of your sales receipt from the place of purchase.

12 MONTH LIMITED WARRANTY

Auto Meter Products, Inc. warrants to the consumer that this product will be free from defects in material and workmanship for a period of twelve (12) months from date of the original purchase. Products that fail within this 12 month warranty period will be repaired or replaced at Auto Meter's option to the consumer, when it is determined by Auto Meter Products, Inc. that the product failed due to defects in material or workmanship. This warranty is limited to the repair or replacement of parts in the Auto Meter instruments. In no event shall this warranty exceed the original purchase price of the Auto Meter instruments nor shall Auto Meter Products, Inc. be responsible for special, incidental or consequential damages or costs incurred due to the failure of this product. Warranty claims to Auto Meter must be transportation prepaid and accompanied with dated proof of purchase. This warranty applies only to the original purchaser of product and is non-transferable. All implied warranties shall be limited in duration to the said 12 month warranty period. Breaking the instrument seal, improper use or installation, accident, water damage, abuse, unauthorized repairs or alterations voids this warranty. Auto Meter Products, Inc. disclaims any liability for consequential damages due to breach of any written or implied warranty on all products manufactured by Auto Meter.

FOR SERVICE CONTACT: AUTO METER PRODUCTS Inc. 413 W. Elm St., Sycamore, IL 60178 USA (815)899-0801 or
Email us at service@autometer.com