



Technology with Vision

K-LED 40 COMPACT LED BEACON FIXED MOUNT



OPERATION

RED: To +VDC Fuse @ 5A

BLACK: To Chassis Ground (-)

Flash patterns & Synchronization

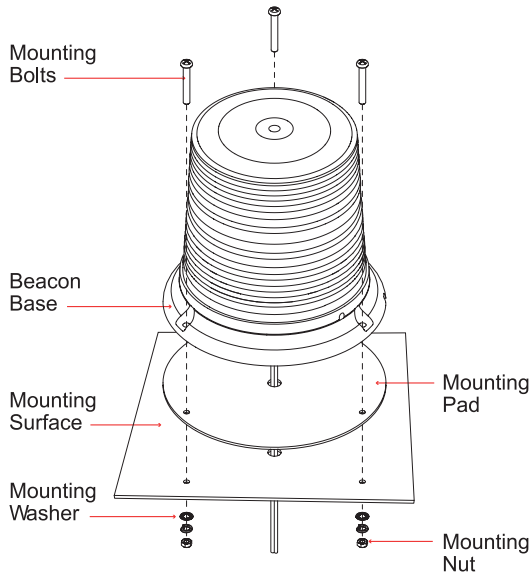
To change flash pattern open beacon dome and press small red button. Close dome carefully and make sure rubber seal is in place.

| Flash Pattern # | Flash Patterns |
|-----------------|----------------|
| 1 | 8 Flash |
| 2 | Single |
| 3 | Double |
| 4 | Triple |
| 5 | Quad |

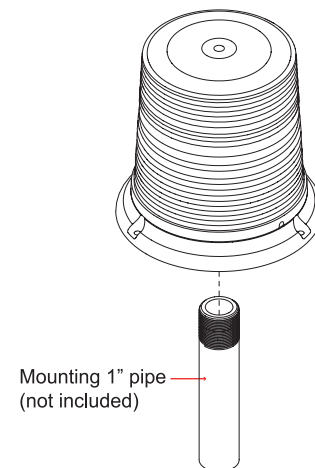
Note: This unit may not be factory set at Flash Pattern #1.

Note: Make sure to cover all unused bare wires.

3 Bolt Mount



1" Pipe Mount





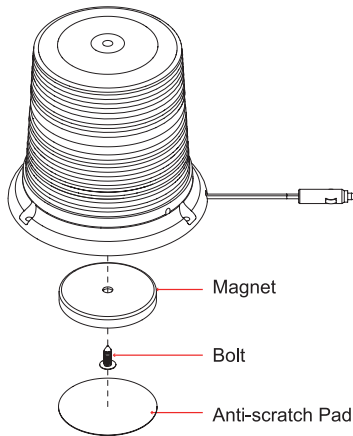
Technology with Vision

K-LED 40 COMPACT LED BEACON TEMPORARY MOUNT

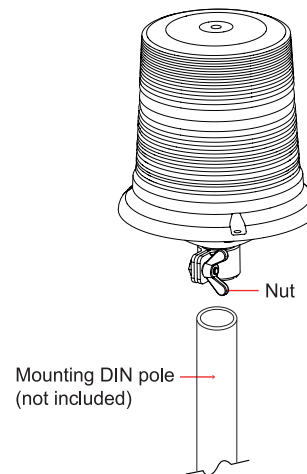


FLASH PATTERN CHANGE

Magnetic Mount



DIN Mount



1. Open Beacon

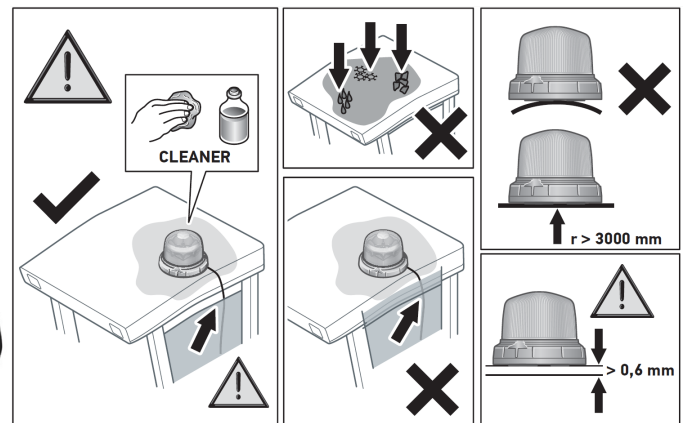
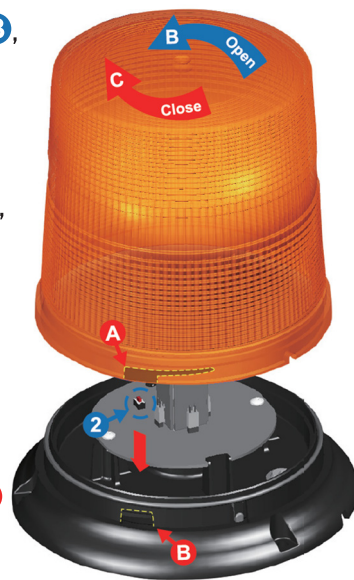
Twist dome counter-clockwise **B**, then lift dome to open.

2. Change Pattern

Momentarily push red button **2**, to change to next flash pattern. (see flash pattern chart)

3. Close Beacon

Align dome indent **A** with the base **B**, then twist clockwise **C** to close.



WARNING: It is not recommended to use magnetically mounted warning devices on the outside of vehicles in motion. Usage is at the sole risk and responsibility of the user.