



Truck and Jeep Accessories

1999-2007 FORD F250, F350, SUPER DUTY BODY MOUNT KIT

KF04058BK BLACK POLYURETHANE



www.Daystarweb.com

Tech Support Contact Info Tech@DaystarWeb.com

Phone: 623-907-0081

Fax: 623-907-0088

841 South 71st Avenue, Phoenix, AZ 85043

Introduction

Daystar® is your number one source for Made in the USA quality vehicle accessories, backed by our exclusive *Go Everywhere*® Limited Lifetime Warranty (see terms at Daystarweb.com). To ensure your safety and proper installation of this product, take a moment to read all instructions and product safety information before trying to install your Daystar® product. If you have any technical questions after reading these instructions, we are here to help. Contact us at 800-595-7659.

Product Safety Information

Throughout these instructions, important safety information is generally preceded by one of three signal words indicating the relative risk of injury. The signal words are as follows:



WARNING

A hazardous situation which, if not avoided, could result in death or serious injury. You can be seriously injured or killed if you don't follow instructions.



CAUTION

A hazardous situation which, if not avoided, could result in minor or moderate injury. You can be moderately injured and also may suffer property damage if you don't follow instructions.

Notice

Careful attention is required to this instruction or operation, but this does not generally relate to personal injury. Damage to your product or other property may result if you don't follow instructions.



Bill of Materials		
Part #	Description	Quantity
M02546	Body Mount	8
M03305	Body Mount	8
*M03306	Body Mount	2
S22318	Threaded Steel Mount	8
S22319	Large Steel Mount	8
S10126	Washer	2
BP04057	Hardware Kit	1

***M03306 Mount
is used on
Super Cab only
(not Super Crew)**

Notice

The new polyurethane body mounts in your kit will be a different size than the original mounts that you are replacing. Even though they appear to be a different size, they are the correct size for your truck and will position the cab at the original factory height. Also, the kit contains mounts for all cab styles and not all pieces will be used on your truck.

Notice

Provided Daystar hardware kit supplies your vehicle with replacement bolts for the various body mount locations. If the provided hardware does not fit your specific year, model, and trim level; reuse the factory hardware.

1999-2007 F250/F350

2 Door Regular Cab/4 Door Crew Cab/4 Door Super Cab

(8) Bolt: M12 x 1.75 x 110 mm

(8) Washer: M12

Installation Instructions

1. Read the instructions completely before beginning installation. A floor jack and basic hand tools are needed.
2. Disconnect the battery and remove the airbag fuse.
3. Remove the trim securing the carpet down at the doors so you can access the body mount bolts. On Super Cab and Super Crew Cab models you must remove the rear seat. Remove cab plugs to gain access to the cab mount bolts. **See figure 1.**
4. **All POSITIONS** - Remove the bolts from the **passenger side** body mounts and loosen the **driver's side** body mount bolts, but do not remove them. **See figures 2 and 3.**
5. **POSITION 1** - On the front radiator support bolts, you will need to remove the upper nut on the inside of the radiator support and then you can loosen the lower bolt. A 24" extension with a universal swivel and an 18mm socket works well for this on most trucks. You might need to have someone hold the mounts with large adjustable pliers while you loosen the bolts. On some models, the front bumper must be removed to access the bolts.
6. Using a floor jack, carefully place the jack on the **passenger side** floorboard support mounts and lift high enough to remove the body mounts. Make sure the cab is securely supported with jack stands before working under the truck or removing any mounts.
7. **ALL POSITIONS** - Remove and replace the **passenger side** body mounts one at a time. Take care not to mix up the pieces. The upper and lower mounts are clipped together on the frame and you may have to use a pair of large screwdrivers to pry the mounts off. **See figure 4.**

Fig 1



Fig 2



Fig 3



Fig 4



8. **ALL POSITIONS** – Install *kit body mounts* on *kit steel mounts*, Assemble the kit components as shown. See figures 5 through 10.
9. **ALL POSITIONS** – When installing the new assemblies onto the frame, make sure they are seated into the frame and centered in the hole.
10. **POSITION 1** – Install *kit body mount M03305* on the top, and *kit body mount M02546* along with *kit washer S10126* on the bottom. Run the bolt in from the bottom and start it but don't tighten it yet. Start the upper nut on the radiator support but don't tighten it yet.

Notice

Use the *large kit steel* top half with the *kit washer* on the bottom.

POSITIONS 2, 3, & 4 – Working on one position at a time, install *kit body mount M03305* on the *large kit steel* top half and *kit body mount M02546* on the *threaded kit steel* bottom half. Start the bolts but do not tighten.

Notice

On a small percentage of Super Duty trucks there is a smaller body mount in position 3. If this is the case on your truck, use *kit body mount *M03306* instead of *kit body mount M03305*. If the new lower *kit body mount M02546* will not fit in the frame, reuse the original part.

Repeat steps 4 through 11 for the **driver's side**.

11. Tighten all bolts in an alternating cross pattern (as with tightening wheel lug nuts) until you can feel the stock metal shells seat together (around 45-55 ft. lbs.). Tighten the top nut on the radiator core support mount last.
12. Reinstall the body cab plugs, and if removed, reinstall the seat, trim, and upholstery.
13. Reinstall the airbag fuse and reconnect the battery.

Notice

Verify that all parts are installed properly, all fasteners are torqued to factory specification, all lines, hoses, and wiring are not stretched or pinched. Retighten all bolts after 500 miles again to factory specifications.

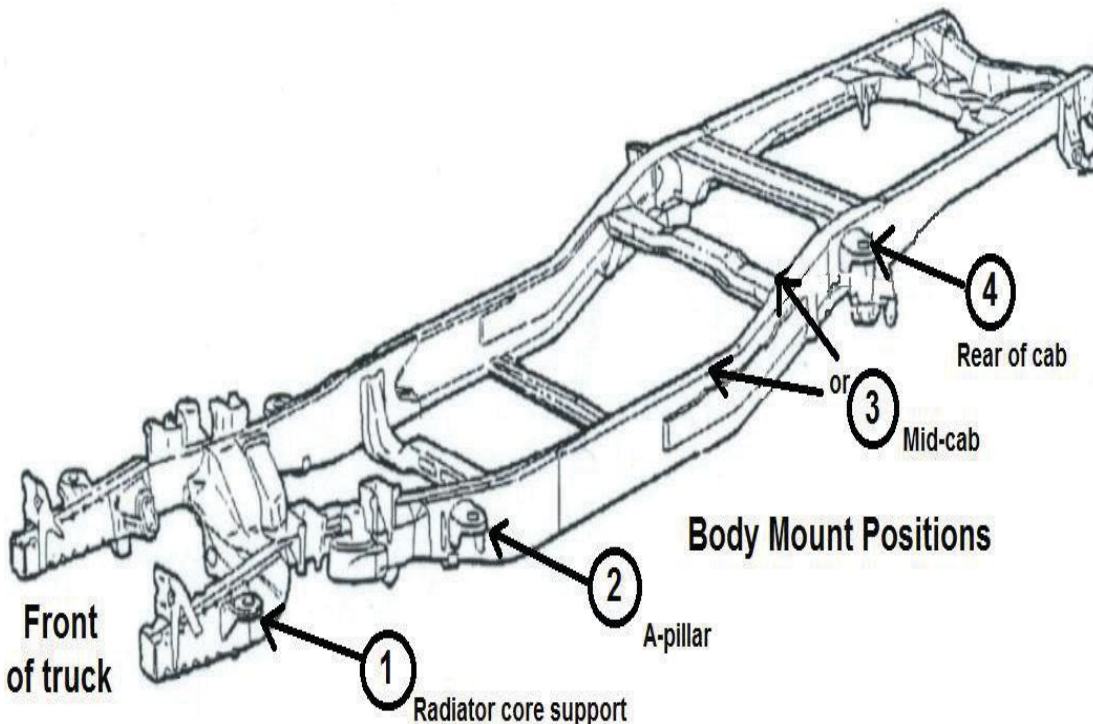


Fig 5



Fig 6



Fig 7



Fig 8



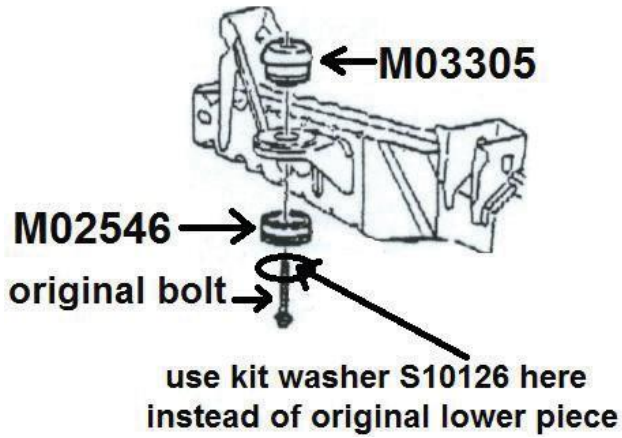
Fig 9



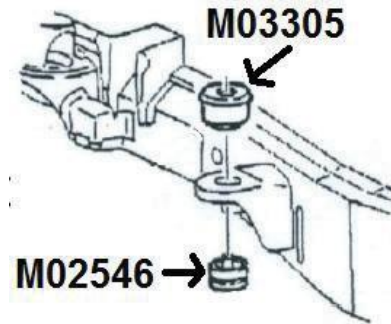
Fig 10



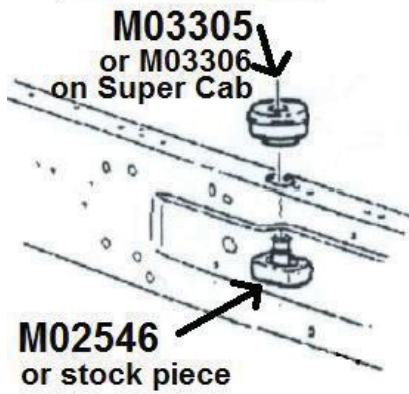
POSITION 1



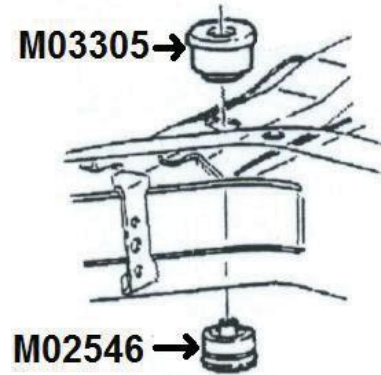
POSITION 2



POSITION 3



POSITION 3



or

POSITION 4

