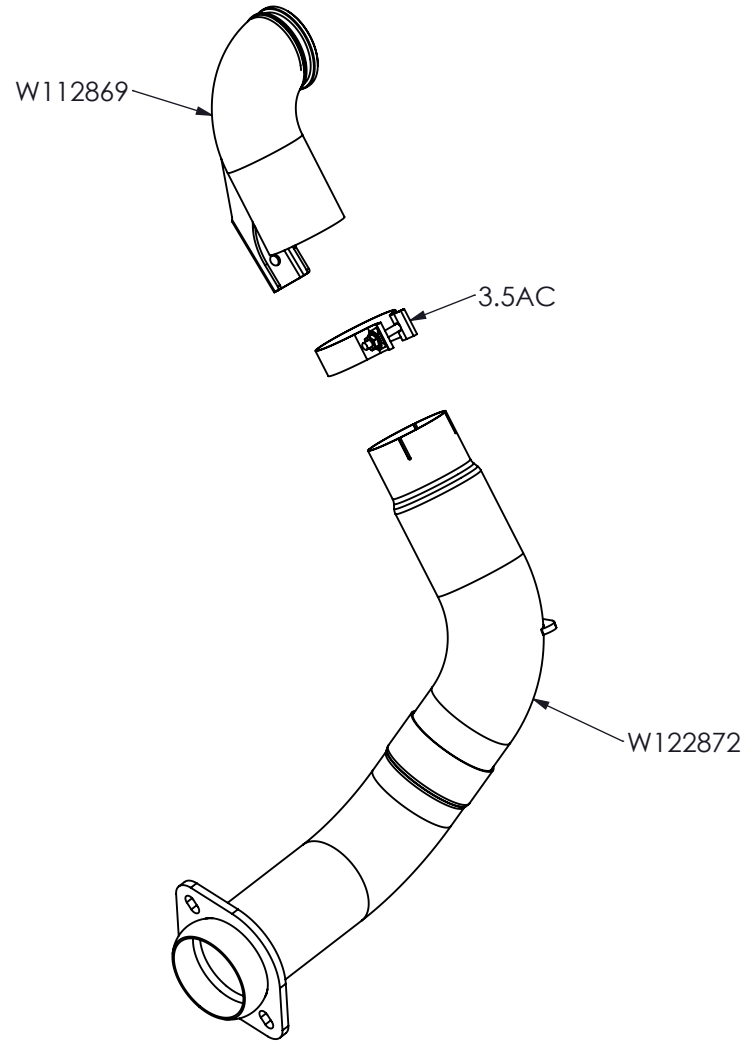


FAL460

2015-16 6.7L FORD POWERSTROKE F250/350/450 PICK-UPS, EXCLUDING CAB & CHASSIS



ITEM NO.	PART NUMBER	DESCRIPTION	FAL460/QTY.
1	W112869	DOWN PIPE - UPPER ASSEMBLY	1
2	W122872	DOWNPIPE - LOWER ASSEMBLY	1
3	3.5AC	CLAMP, 3.5" BAND, ALUMINIZED STEEL	1

SHIPPING INFO	
WEIGHT [lbs]	13.5
HEIGHT [in]	6
LENGTH [in]	35
WIDTH [in]	11

28 December, 2016
REV:C

MBRP
INC.
PERFORMANCE EXHAUST