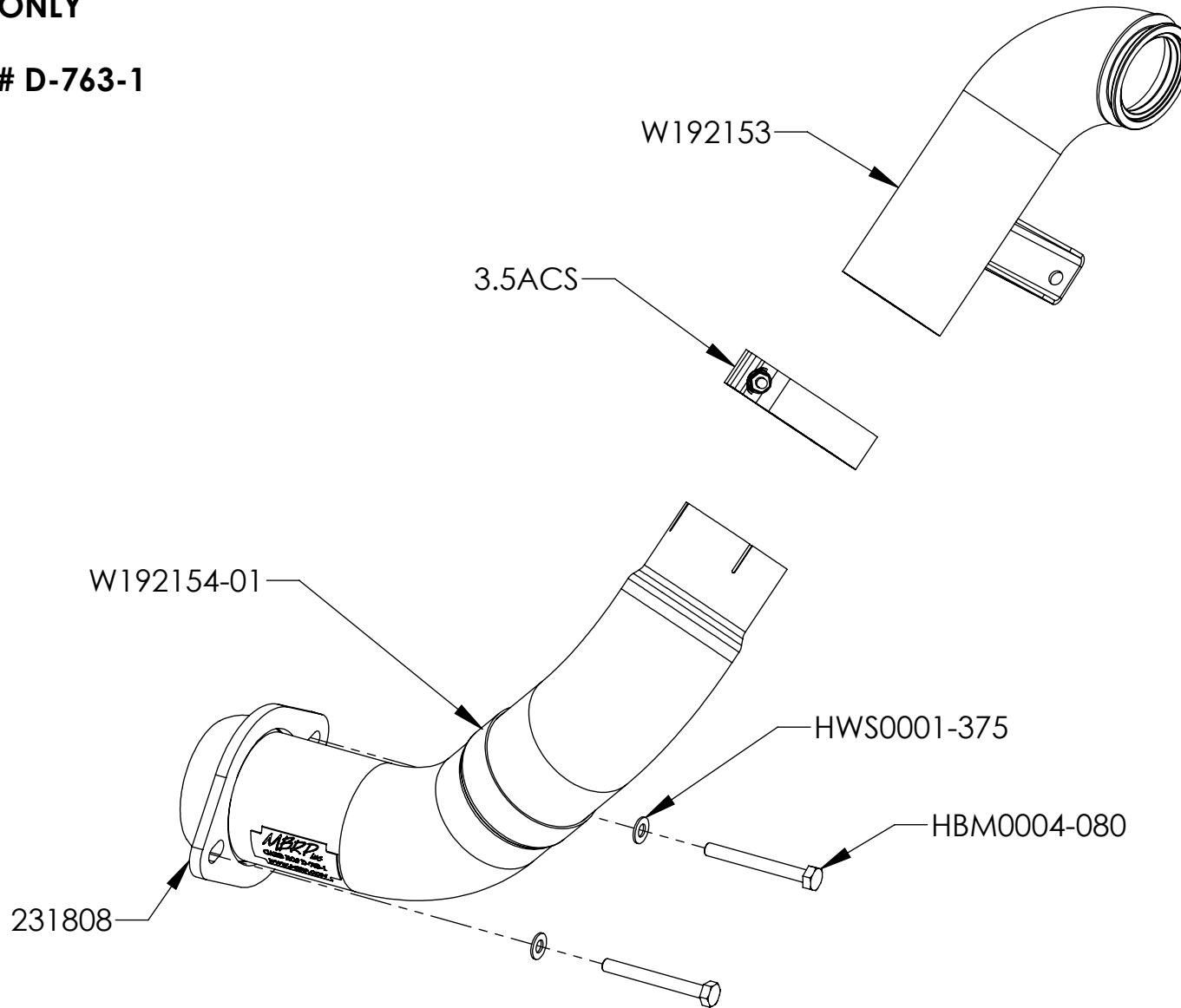


FS9-CA459

2011-2014 6.7L FORD POWERSTROKE , 2015 CAB AND CHASSIS ONLY

CARB EO# D-763-1



ITEM NO.	PART NUMBER	DESCRIPTION	FS9-CA459/QTY.
1	W192153	DOWNPIPE - UPPER (3")	1
2	W192154-01	LOWER DOWNPIPE ASSEMBLY	1
3	231808	6.4L POWERSTROKE LOWER DOWNPIPE / RAPTOR FLANGE	1
4	3.5ACS	CLAMP, 3.5" BAND, STAINLESS STEEL	1
5	HWS0001-375	WASHER, FLAT, 3/8" - ZINC COATED	2
6	HBM0004-080	BOLT, HEX, M10X80MM-GRADE 8.8, ZINC COATED	2

12-Apr-18
REV: C

MBRP
PERFORMANCE EXHAUST