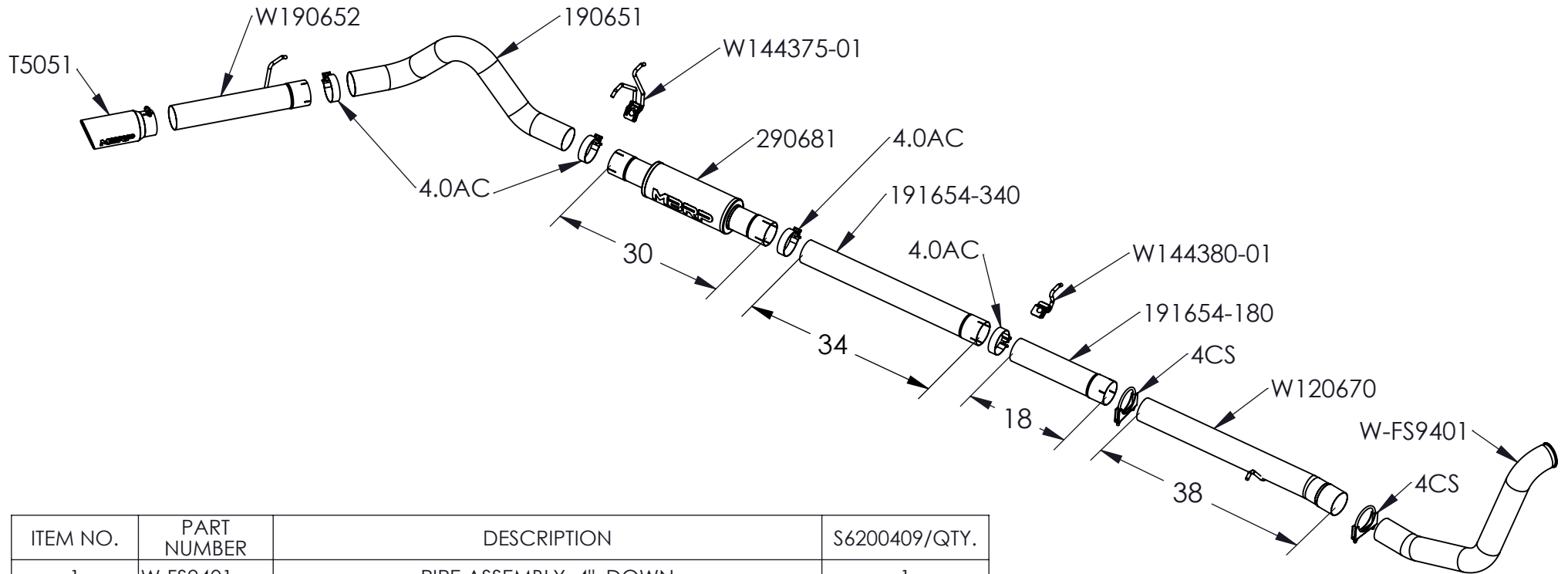


S6200409

1999-2003 FORD F250/350 , 7.3L POWERSTROKE , TURBO BACK, 4", SINGLE SIDE,
NOT FOR USE ON VEHICLES EQUIPPED WITH CATALYTIC CONVERTER



ITEM NO.	PART NUMBER	DESCRIPTION	S6200409/QTY.
1	W-FS9401	PIPE ASSEMBLY, 4", DOWN	1
2	W120670	PIPE, MID 4" ASSEMBLY (2PC F402)	1
3	191654-340	PIPE, EXTENSION, 4"	1
4	191654-180	PIPE, EXTENSION, 4"	1
5	290681	MUFFLER, 30"L SINGLE 4" (REPLACES 220019)	1
6	190651	OVER AXLE PIPE (2PC F425)	1
7	W190652	PIPE, TAIL 4" ASSEMBLY (2PC F425)	1
8	T5051	TIP, 4" IN, 5" OD SINGLE WALL TIP ROLLED LIP	1
9	4CS	CLAMP 4" SADDLE ZINC COATED	2
10	4.0AC	CLAMP, 4" BAND, ALUMINIZED STEEL	4
11	W144380-01	HANGER ASSY, HANG TIGHT™, 1/2"	1
12	W144375-01	HANGER ASSY, HANG TIGHT™, DUAL 1/2"	1

December 17, 2020
REV:J

MBRP