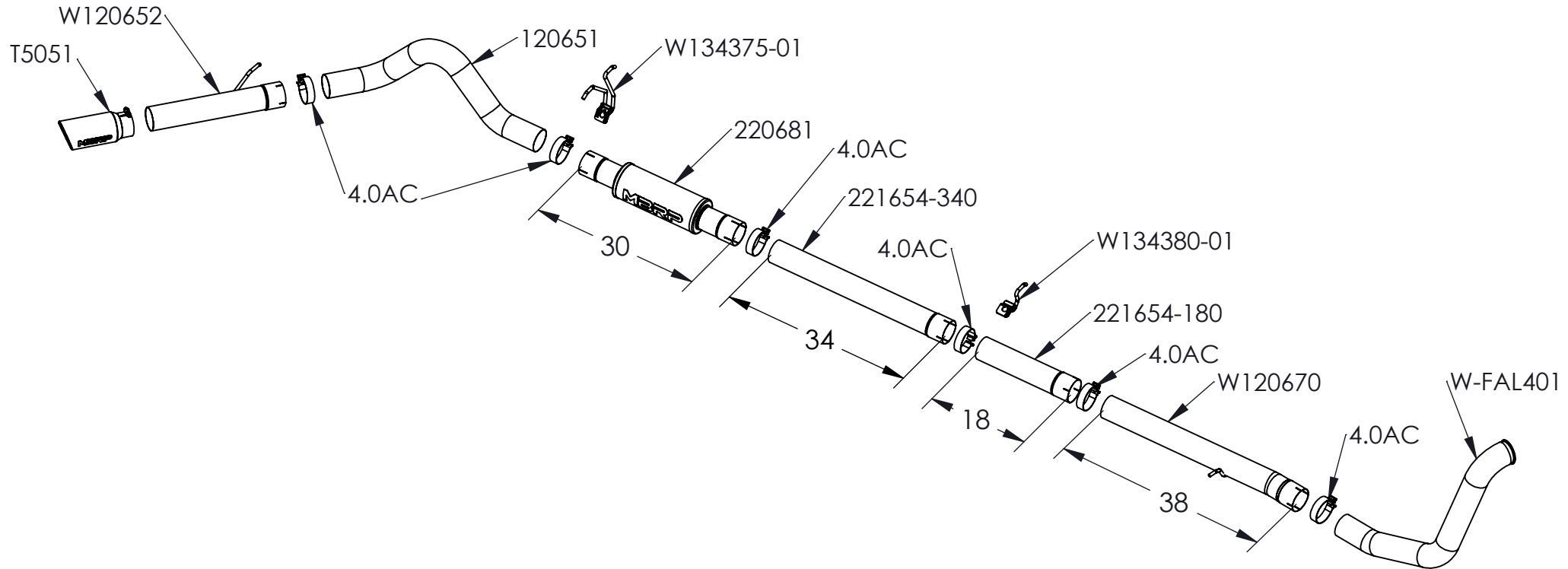


S6200AL

1999-2003 FORD F250/350 , 7.3L POWERSTROKE, TURBO BACK, 4", SINGLE SIDE,
NOT FOR USE ON VEHICLES EQUIPPED WITH CATALYTIC CONVERTER



ITEM NO.	PART NUMBER	DESCRIPTION	QTY.
1	W-FAL401	PIPE ASSEMBLY, 4", DOWN	1
2	W120670	PIPE, MID 4" ASSEMBLY (2PC F402)	1
3	221654-180	PIPE, EXTENSION, 4"	1
4	221654-340	PIPE, EXTENSION, 4"	1
5	220681	30" LONG SINGLE 4" MUFFLER	1
6	120651	OVER AXLE PIPE (2PC F425)	1
7	W120652	PIPE, TAIL 4" ASSEMBLY (2PC F425)	1
8	4.0AC	CLAMP, 4" BAND, ALUMINIZED STEEL	6
9	W134380-01	HANGER ASSY, HANG TIGHT™, 1/2"	1
10	W134375-01	HANGER ASSY, HANG TIGHT™, DUAL 1/2"	1
11	T5051	TIP, 4" IN, 5" OD SINGLE WALL TIP ROLLED LIP	1

26-Sep-23
REV:L

MBRP