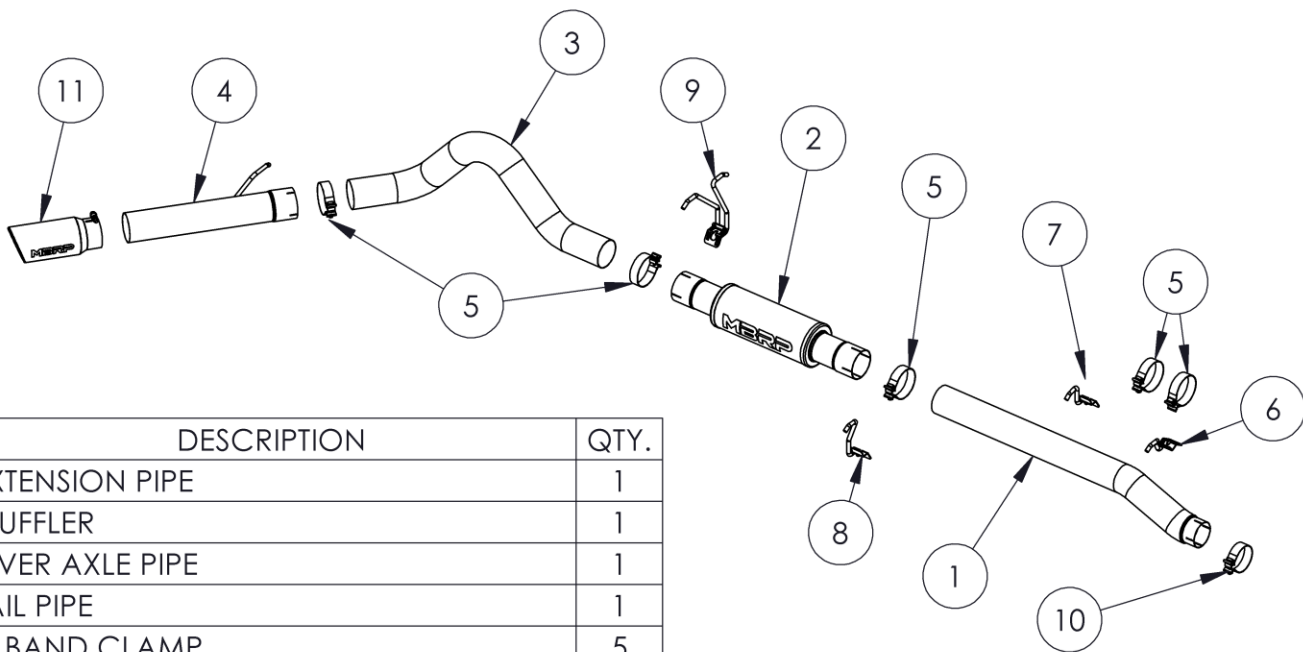


S6208

2003-2007 FORD F250/350,
EXTENDED CAB / CREW CAB,
6.0L POWERSTROKE,
CAT BACK, 4" SINGLE SIDE

MBRP®



ITEM	DESCRIPTION	QTY.
1	EXTENSION PIPE	1
2	MUFFLER	1
3	OVER AXLE PIPE	1
4	TAIL PIPE	1
5	4" BAND CLAMP	5
6	HANG TIGHT™ HANGER (CREW CAB)	1
7	HANG TIGHT™ HANGER (EXTENDED CAB)	1
8	HANG TIGHT™ HANGER	1
9	DUAL HANG TIGHT™ HANGER	1
10	3.5" BAND CLAMP	1
11	EXHAUST TIP	1

*NOTE: MUFFLER MAY NOT BE EXACTLY AS SHOWN

Refer to this LOT NUMBER when contacting customer service: _____

PLEASE READ BEFORE STARTING INSTALLATION

While MBRP has made every effort to ensure that all components of this system are of superior quality and properly packaged, it is the installer's responsibility to ensure the following before removal of the factory exhaust:

- that ALL components shown above are present.
- that ALL mating components fit together.
- that there are no damaged components.
- that the system you have purchased is appropriate for your vehicle year, model and configuration.
- that the system will not interfere with any modifications previously installed or planned.
- that you have read and understand these instructions.

If you have any questions or are uncertain about any aspect of the installation of this system to your vehicle please contact your dealer before commencing installation.

MBRP

Removal of Stock System:

1. Apply a penetrating lubricant liberally to all exhaust fasteners, hangers, and rubber insulators.

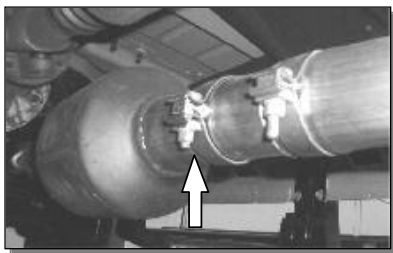


Figure 1

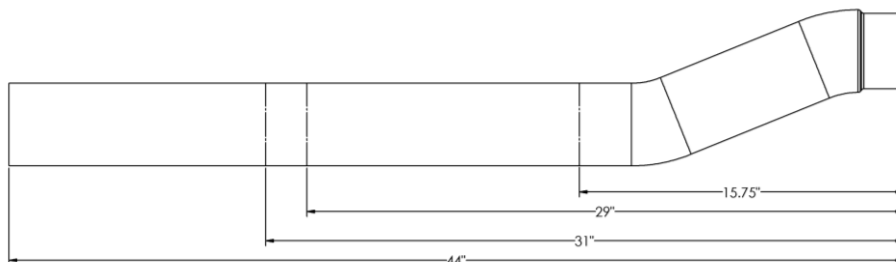
2. Loosen the nut on the band clamp located behind the catalytic converter using a 15mm wrench or socket. **See Figure 1.**
3. Remove the muffler and tail pipe from the OEM rubber hangers. To remove the system in one piece, on 03-04 models, the bottom shock bolt of the passenger side shock must be removed. **This is not required on 05 or 06 models.** Separate the stock exhaust at the slip joint located behind the catalytic converter and remove the muffler and tail pipe from under the truck. Re-install the bottom shock bolt.

Installation of MBRP Performance Exhaust:

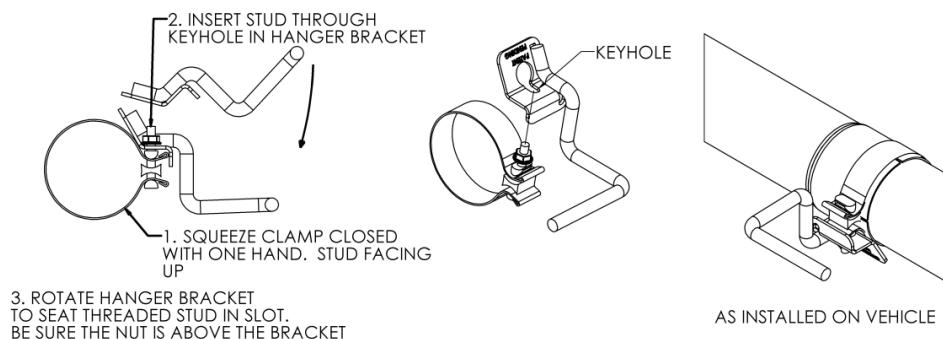


Figure 2

1. Install the **Extension Pipe** over the catalytic converter. **See Figure 2.** The **Extension Pipe** provided is pre-cut for the crew cab long bed configuration. All other configurations will require this pipe to be cut.
Extended cab short bed cut to 15 3/4"
Crew cab short bed cut to 29"
Extended cab long bed cut to 31"



2. Install the **Hang Tight™ Hangers** onto **4.0" Band Clamp** using the procedure shown below. (Hang Tight™ Hanger not exactly as shown).

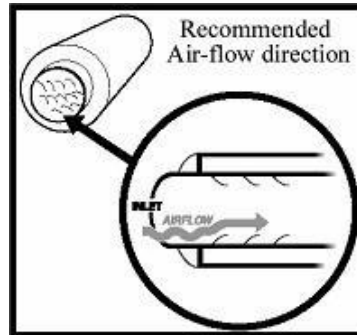


MBRP

3. Install the appropriate **Hang Tight™ Hanger** over the **Extension pipe** and into the OEM rubber hanger. Install the **Muffler** over the **Extension Pipe** using the next **Hang Tight™ Hanger**. Install the **Dual Hang Tight™ Hanger** into the two OEM rubber hangers located above the outlet of the Muffler.

See Figure 3.

4. Install the **Tail Pipe** and **4" Band Clamp** onto the assembly from the rear of the truck, over the **Muffler Outlet**. Install the tail pipe hanger into adjust for best axle **Pipe** exit location to **See Figure 4.**



Over Axle Pipe. Slide axle and attach to the the OEM hanger, clearance and **Tail** complete.

5. Install the provided pipes where needed. and install and adjust the **Tip** to suit. Using a 17mm wrench tighten lock bolt located on **Tip**.

clamps around the Adjust the **Tail Pipe**

6. Tighten all hardware and clamps, starting at the front and working rearward to secure the system. Check along the full length of the exhaust system to ensure there is adequate clearance for fuel lines, vent lines, brake lines, frame, bodywork, suspension, and any wiring, etc. If there is any interference detected, relocate, or adjust to provide adequate clearance. Ensure all clamp connections are secure and components are unable to rotate or slide. Band clamps require approximately 45 lb-ft (60 N-m) of torque. Verify clearances, system security and band clamp torque after 30-60 miles (50-100 km) of driving.

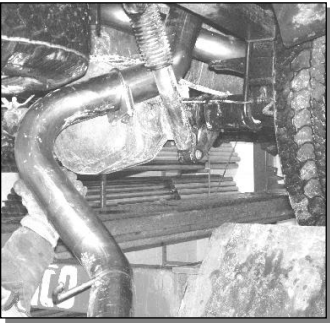


Figure 3

Figure 4



Congratulations! You are ready to begin enjoying the improved performance and driving experience of your **MBRP** performance exhaust system. We hope you enjoy your purchase.