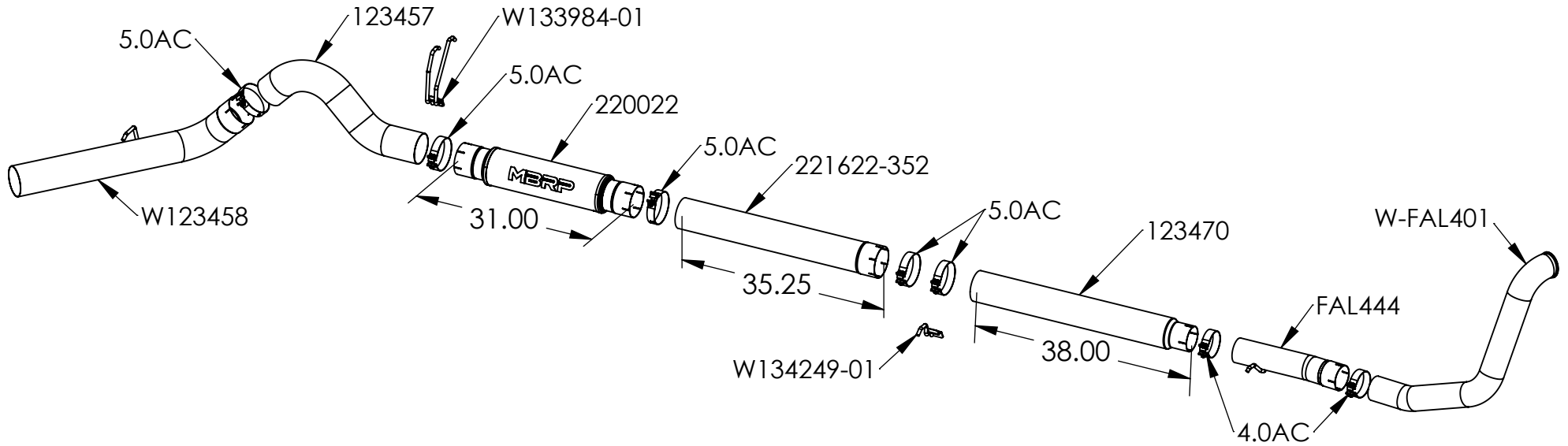


S62220P

1999-2003 FORD F250/350, 7.3L POWERSTROKE

TURBO BACK, OFF-ROAD, 5" SINGLE SIDE

NOT FOR USE ON VEHICLES EQUIPPED WITH CATALYTIC CONVERTER



ITEM NO.	PART NUMBER	DESCRIPTION	S62220P/QTY.
1	W-FAL401	PIPE ASSEMBLY, 4", DOWN	1
2	FAL444	EXTENSION PIPE	1
3	123470	4" ID TO 5" OD EXTENSION PIPE	1
4	221622-352	EXTENSION PIPE 5"	1
5	220022	5" MUFFLER ASSEMBLY	1
6	123457	PIPE, OVER-AXLE 5" (FAL443)	1
7	W123458	PIPE ASSY, TAIL 5" (FAL443)	1
8	5.0AC	CLAMP, 5" BAND, ALUMINIZED STEEL	5
9	W134249-01	HANGER ASSY, HANG TIGHT™, 1/2"	1
10	4.0AC	CLAMP, 4" BAND, ALUMINIZED STEEL	2
11	W133984-01	HANGER ASSY, HANG TIGHT™, DUAL 1/2"	1

12-Oct-23
REV:F

MBRP