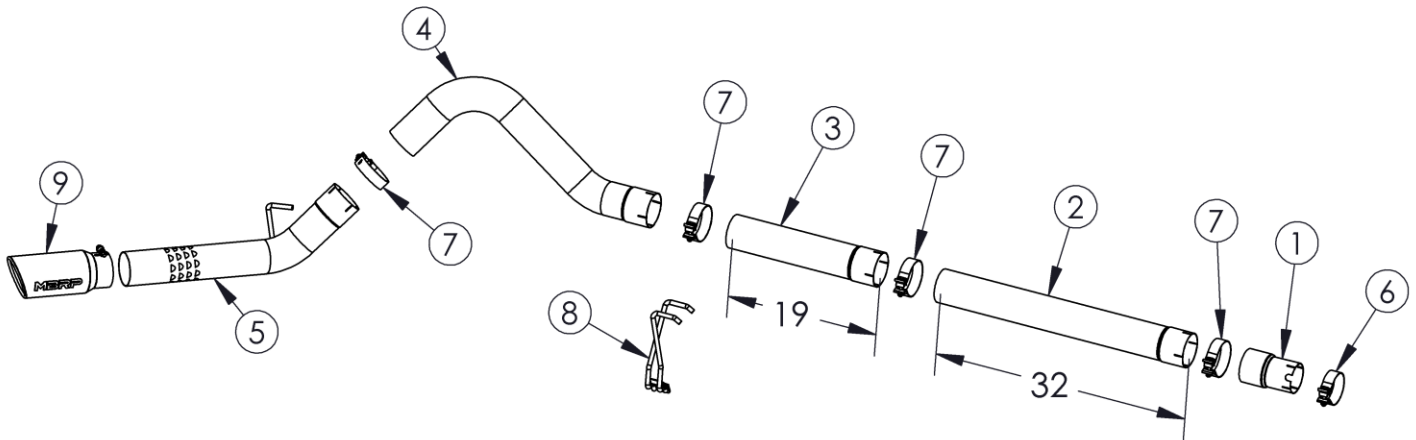


S6242

2008-2010 FORD F250/350/450,
6.4L POWERSTROKE,
FILTER BACK, 4" SINGLE SIDE

MBRP®



ITEM	DESCRIPTION	QTY.
1	3.5" TO 4" ADAPTOR	1
2	32" EXTENSION PIPE	1
3	19" EXTENSION PIPE	1
4	OVER-AXLE PIPE	1
5	TAIL PIPE	1
6	3.5" BAND CLAMP	1
7	4" BAND CLAMP	4
8	DUAL HANG TIGHT™ HANGER	1
9	EXHAUST TIP	1

PLEASE READ BEFORE STARTING INSTALLATION

While MBRP has made every effort to ensure that all components of this system are of superior quality and properly packaged, it is the installer's responsibility to ensure the following before removal of the factory exhaust:

- that ALL components shown above are present.
- that ALL mating components fit together.
- that there are no damaged components.
- that the system you have purchased is appropriate for your vehicle year, model and configuration.
- that the system will not interfere with any modifications previously installed or planned.
- that you have read and understand these instructions.

If you have any questions or are uncertain about any aspect of the installation of this system to your vehicle please contact your dealer before commencing installation.

MBRP

Removal of Stock System:



Figure 1

1. Apply some penetrating lubricant liberally to all exhaust fasteners, hangers, and rubber insulators.
2. Loosen the nut on the band clamp located behind the particulate filter using a 15mm wrench or socket.

Refer to Figure 1.

3. Cut the exhaust as shown in **Figure 2**. Remove the muffler and tail pipe from the OEM rubber insulators. Remove from the vehicle.



Figure 2

Installation of MBRP Performance Exhaust:

1. The **Extension Pipes** provided is pre-cut for the crew cab long bed and crew cab short bed configurations. Cut the **Extension Pipes** to the required length allowing for a 3" overlap, for the vehicle being installed to.

Refer to Table below.

WHEELBASE	19" EXTENSION REQUIRED	CUT REQUIRED	COMBINED LENGTH OF PIPES
REGULAR CAB	NO	YES	13"
EXTENDED CAB SHORT BED	NO	YES	17.75"
CREW CAB SHORT BED	NO	NO	32"
EXTENDED CAB LONG BED	YES	YES	33.75"
CREW CAB LONG BED	YES	NO	48.25"

MBRP



Figure 4

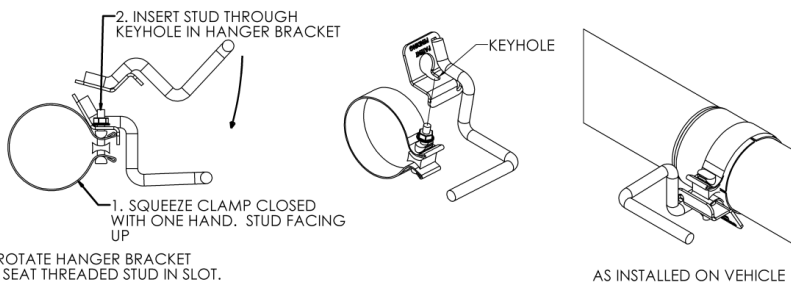
2. Slide the **3 ½" Band Clamp** over the **3 ½" to 4" Adapter** and install it to the particulate filter.

Refer to Figure 4.

3. Slide a **4" Band Clamp** onto the end of the **3 ½" to 4" Adapter** install the **Extension Pipe/s** as required.

Refer to Figure 4.

4. Install the **Dual Hang Tight™ Hanger** onto a **4.0" Band Clamp** using the procedure shown at right. (Hang Tight™ Hanger not exactly as shown).



5. Install the **Over-Axle Pipe** onto the **Extension Pipe** using the previously assembled **Dual Hang Tight™ Hanger** clamp assembly. Install the hangers into the OEM rubber insulators. The clamp should remain loose enough for adjustability.

6. Slide a **4" Band Clamp** onto the end of the **Over-Axle Pipe** install the **Tail pipe**.

7. Install the **Exhaust Tip**. Align the exhaust as required.

8. Tighten all hardware and clamps, starting at the front and working rearward to secure the system. Check along the full length of the exhaust system to ensure there is adequate clearance for fuel lines, vent lines, brake lines, frame, bodywork, suspension, and any wiring, etc. If there is any interference detected, relocate, or adjust to provide adequate clearance. Ensure all clamp connections are secure and components are unable to rotate or slide. Band clamps require approximately 45 lb-ft (60 N-m) of torque. Verify clearances, system security and band clamp torque after 30-60 miles (50-100 km) of driving.



Congratulations! You are ready to begin experiencing the improved power, sound and driving experience of your **MBRP** performance exhaust system. We hope you enjoy your purchase.