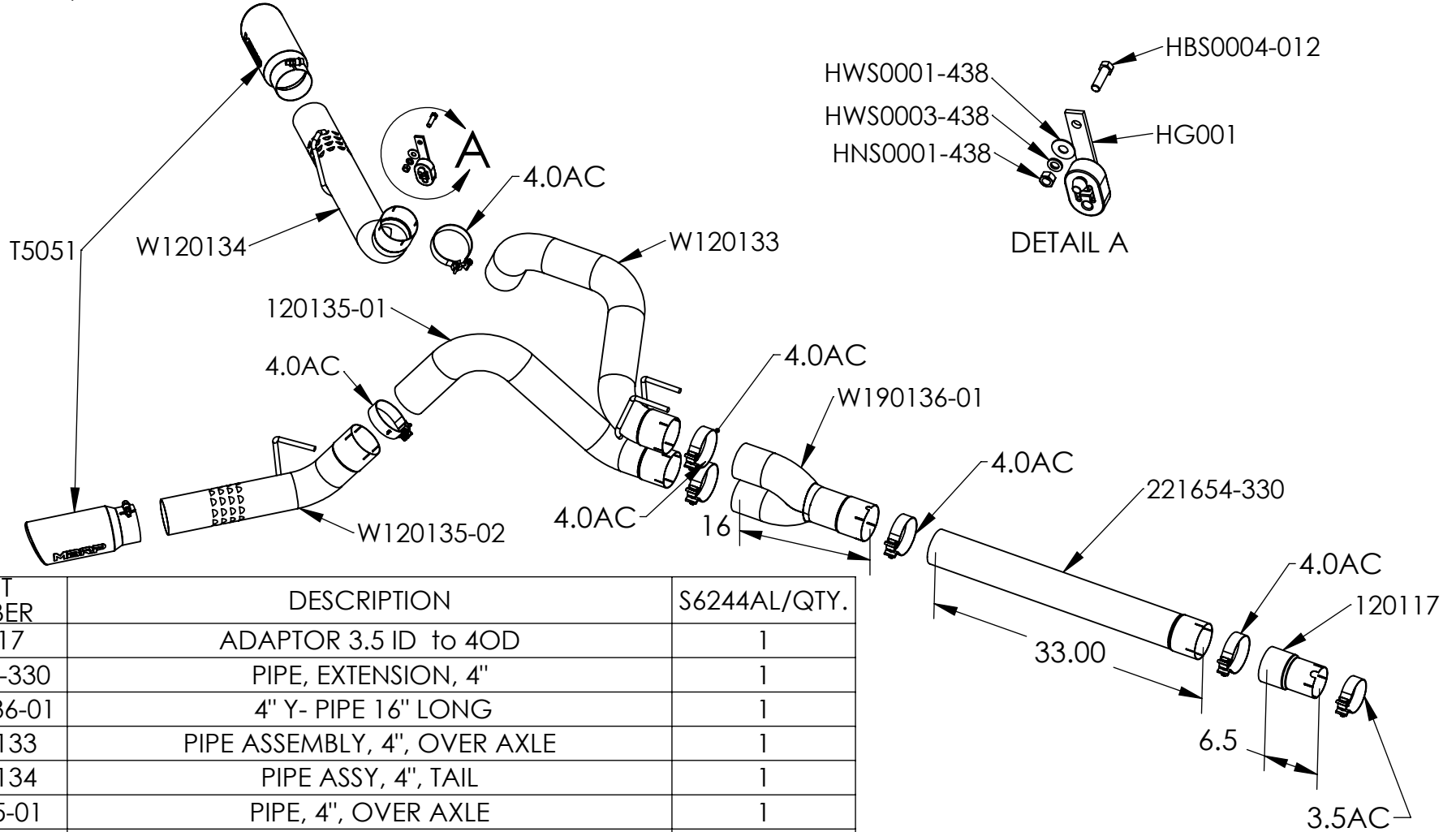


S6244AL

2008-2010 FORD F250/F350/F450, EC/CC, 6.4L POWERSTROKE,
 FILTER BACK, 4.0" DUAL SPLIT SIDE



ITEM NO.	PART NUMBER	DESCRIPTION	S6244AL/QTY.
1	120117	ADAPTOR 3.5 ID to 4OD	1
2	221654-330	PIPE, EXTENSION, 4"	1
3	W190136-01	4" Y- PIPE 16" LONG	1
4	W120133	PIPE ASSEMBLY, 4", OVER AXLE	1
5	W120134	PIPE ASSY, 4", TAIL	1
6	120135-01	PIPE, 4", OVER AXLE	1
7	W120135-02	PIPE ASSY, 4", TAIL	1
8	3.5AC	CLAMP, 3.5" BAND, ALUMINIZED STEEL	1
9	4.0AC	CLAMP, 4" BAND, ALUMINIZED STEEL	6
10	HG001	HANGER KIT	1
11	HBS0004-012	BOLT, HEX, 7/16-14 X 1 1/2"-GR5, ZN	1
12	HWS0001-438	WASHER, FLAT, 7/16" - ZINC COATED	1
13	HWS0003-438	WASHER, LOCKING, 7/16", ZN	1
14	HNS0001-438	NUT, HEX, 7/16", ZINC COATED	1
15	T5051	TIP, 4" IN, 5" OD SINGLE WALL TIP ROLLED LIP	2

May 10, 2021
 REV:J

MBRP