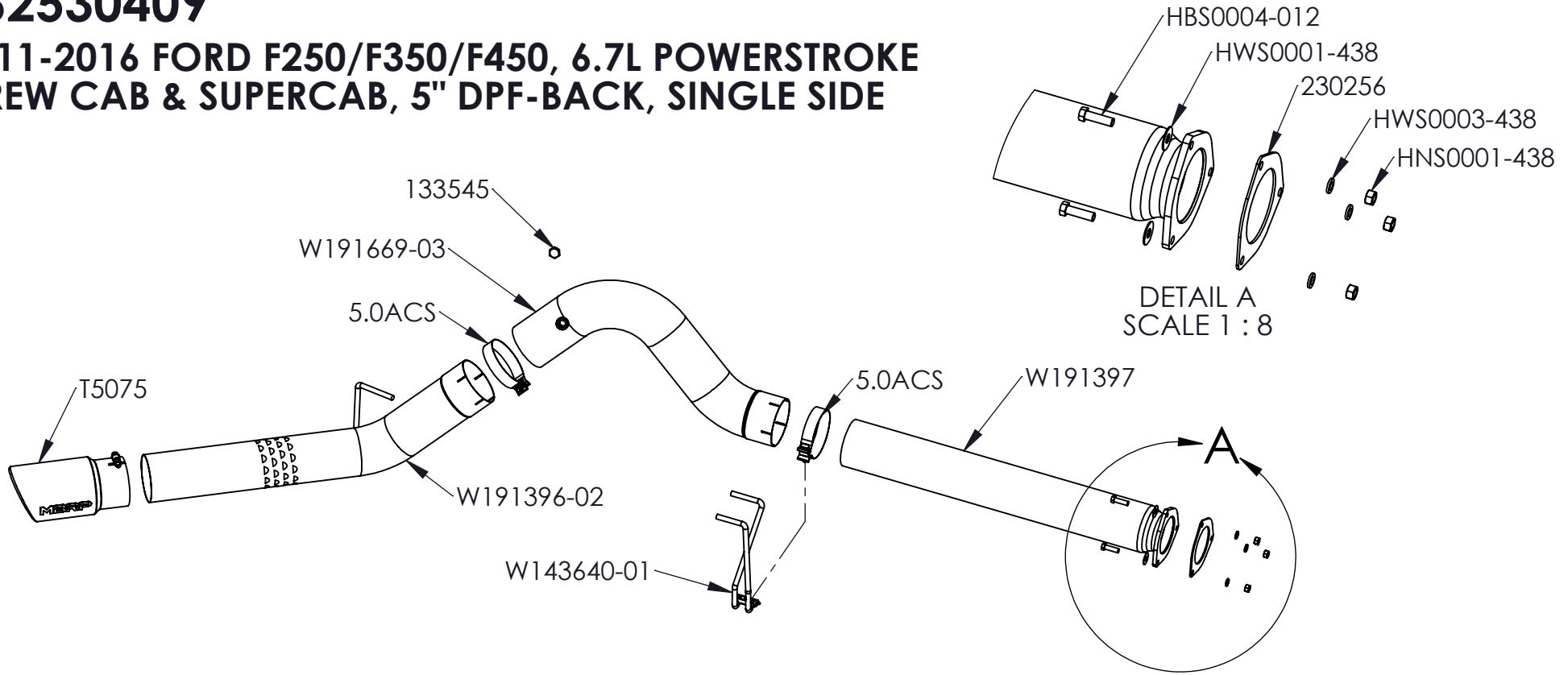


S62530409

2011-2016 FORD F250/F350/F450, 6.7L POWERSTROKE
CREW CAB & SUPERCAB, 5" DPF-BACK, SINGLE SIDE



ITEM NO.	PART NUMBER	DESCRIPTION	S62530409/QTY.
1	W191397	5" EXTENSION PIPE ASSY	1
2	W191669-03	PIPE ASSY. 5" OVER AXLE WITH BUNG	1
3	W191396-02	PIPE ASSEMBLY, TAIL	1
4	133545	M22X1.5 HEX HEAD PLUG	1
5	5.0ACS	CLAMP, 5" BAND, STAINLESS STEEL	2
6	W143640-01	HANGER ASSY, HANG TIGHT™, DUAL 1/2"	1
7	230256	DURAMAX PARTICULATE FILTER FLANGE GASKET	1
8	HBS0004-012	BOLT, HEX, 7/16-14 X 1 1/2"-GR5, ZN	3
9	HNS0001-438	NUT, HEX, 7/16", ZINC COATED	3
10	HWS0001-438	WASHER, FLAT, 7/16" - ZINC COATED	3
11	HWS0003-438	WASHER, LOCKING, 7/16", ZN	3
12	T5075	TIP, 5" ID, 6" OD, SINGLE WALL ROLLED LIP	1

28-Apr-20
REV:G

MBRP