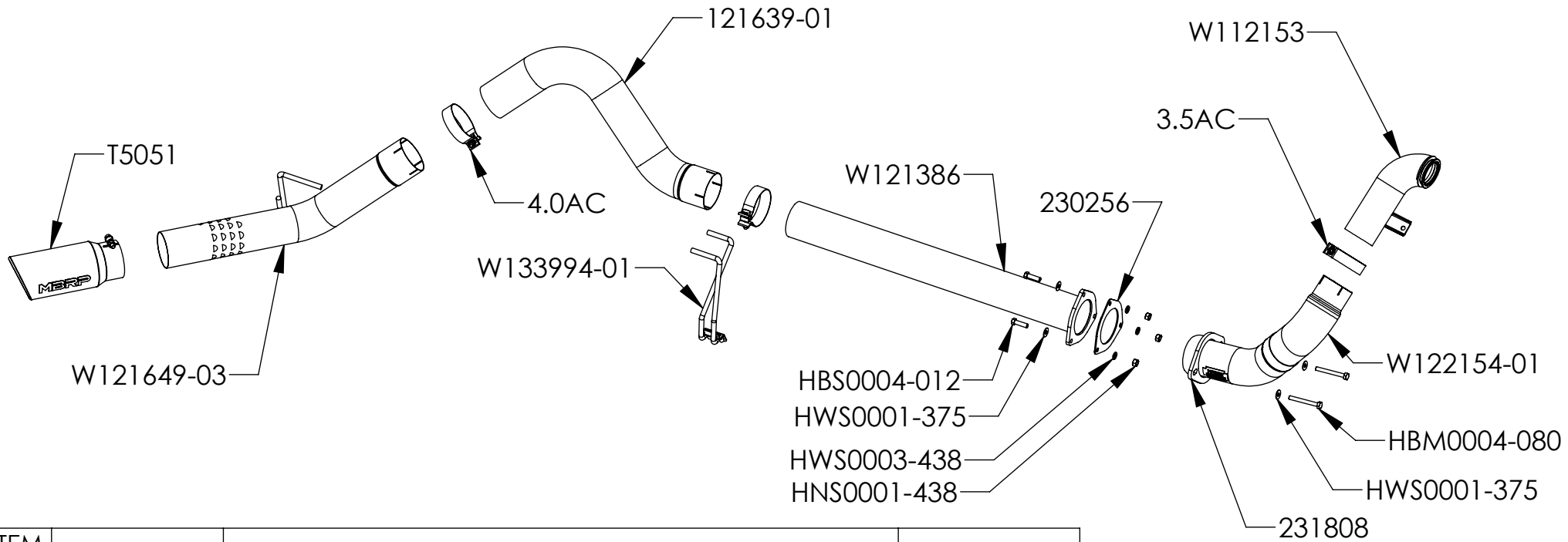


S6284AL

11-14 FORD F250/F350/F450 6.7L POWERSTROKE, FILTER-BACK
WITH DOWN PIPE, CC/SC,
CARB EO# D-763-2



ITEM NO.	PART NUMBER	DESCRIPTION	S6284AL/QTY.
1	W112153	DOWN PIPE - UPPER ASSEMBLY	1
2	W122154-01	LOWER DOWNPIPE ASSEMBLY	1
3	W121386	4" EXTENSION PIPE ASSY	1
4	121639-01	PIPE, 4", OVER-AXLE (TWO PIECE W1X1385)	1
5	W121649-03	PIPE ASSEMBLY, 4" TAIL	1
6	W133994-01	HANG TIGHT™ HANGER	1
7	4.0AC	CLAMP, 4" BAND, ALUMINIZED STEEL	2
8	3.5AC	CLAMP, 3.5" BAND, ALUMINIZED STEEL	1
9	230256	DURAMAX PARTICULATE FILTER FLANGE GASKET	1
10	231808	FLANGE, 2-BOLT	1
11	HBM0004-080	BOLT, HEX, M10X80MM-GRADE 8.8, ZINC COATED	2
12	HWS0001-375	WASHER, FLAT, 3/8", ZN	5
13	HBS0004-012	BOLT, HEX, 7/16-14 X 1 1/2"-GR5, ZN	3
14	HWS0003-438	WASHER, LOCKING, 7/16", ZN	3
15	HNS0001-438	NUT, HEX, 7/16", ZINC COATED	3
16	T5051	TIP, 4" IN, 5" OD SINGLE WALL TIP ROLLED LIP	1

26-Mar-20
REV:F

MBRP