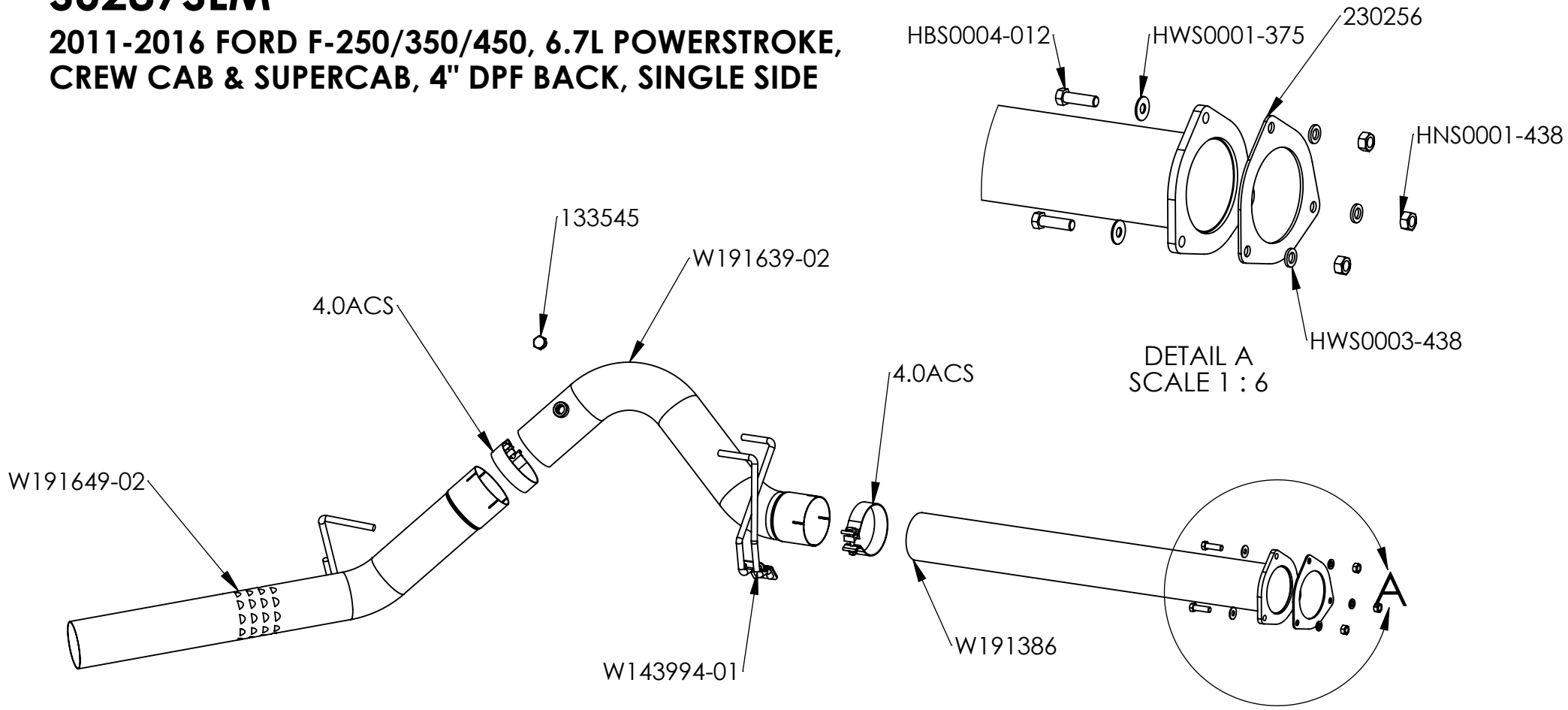


S6287SLM

2011-2016 FORD F-250/350/450, 6.7L POWERSTROKE,
CREW CAB & SUPERCAB, 4" DPF BACK, SINGLE SIDE



ITEM NO.	PART NUMBER	DESCRIPTION	S6287SLM/QTY.
1	W191386	4" EXTENSION PIPE ASSY	1
2	W191639-02	PIPE, 4", OVER-AXLE (TWO PIECE W1X1385)	1
3	W191649-02	PIPE ASSEMBLY, 4" TAIL	1
4	W143994-01	HANG TIGHT™ HANGER	1
5	4.0ACS	CLAMP, 4" BAND, STAINLESS STEEL	2
6	230256	DURAMAX PARTICULATE FILTER FLANGE GASKET	1
7	HBS0004-012	BOLT, HEX, 7/16-14 X 1 1/2"-GR5, ZN	3
8	HWS0001-375	WASHER, FLAT, 3/8", ZN	3
9	HWS0003-438	WASHER, LOCKING, 7/16", ZN	3
10	HNS0001-438	NUT, HEX, 7/16", ZINC COATED	3
11	133545	M22X1.5 HEX HEAD PLUG	1

December 4, 2023
REV:E

MBRP