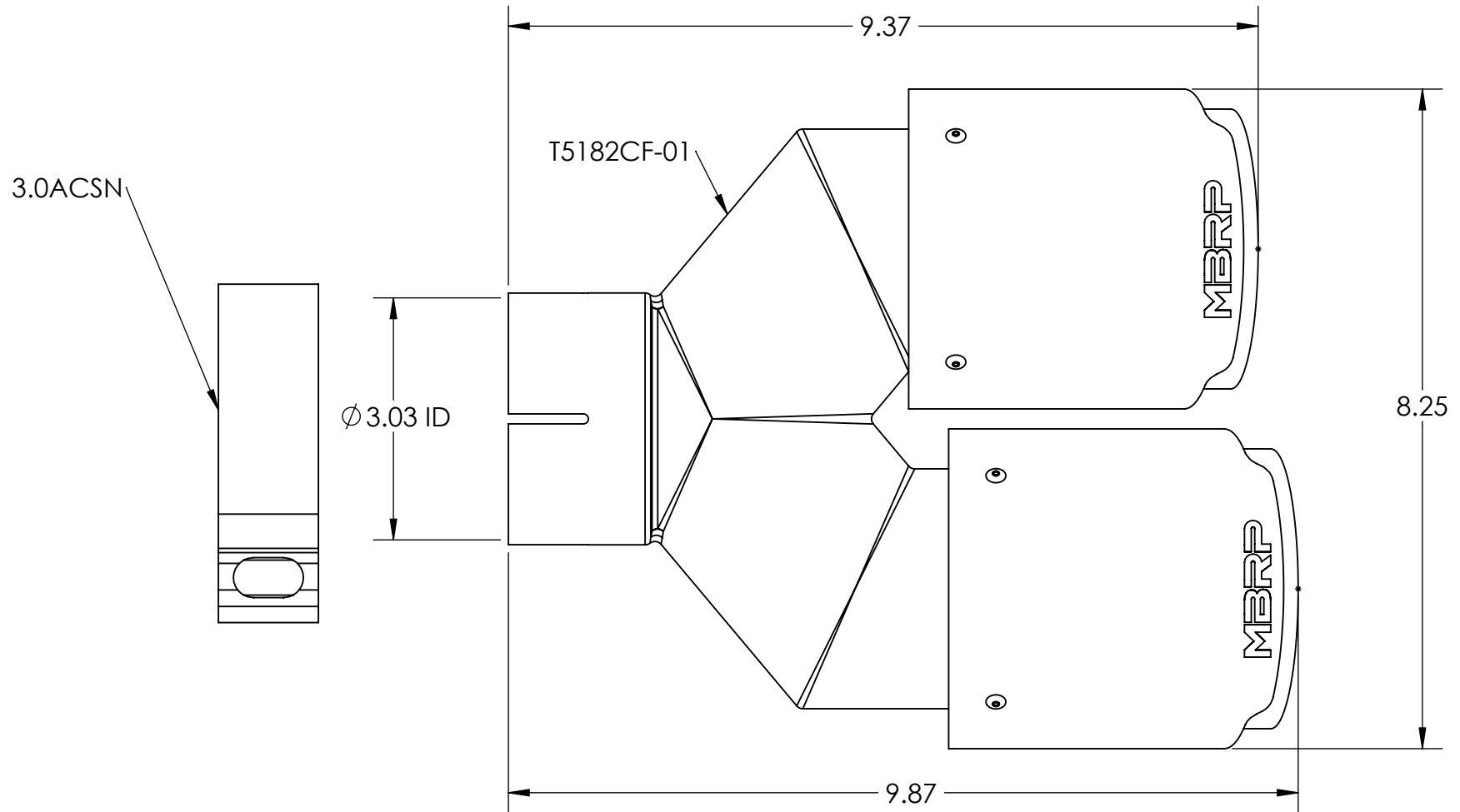


# T5182CF

TIP, 3" IN, 4.0" OD DUAL OUT, CF



ITEM NO.	PART NUMBER	DESCRIPTION	T5182CF /QTY.
1	T5182CF-01	TIP, 3" IN, 4.0" OD DUAL OUT, EU CF	1
2	3.0ACSN	CLAMP, 3.0", BAND ACCSEAL	1

13 November, 2020  
REV:A

**MBRP**