

with Installation Instructions

# Owner's Manual

## **Banks Monster<sup>®</sup> Exhaust System Dual-Tip**

**2011-2015 Ford Power Stroke 6.7L  
Turbo-Diesel F-250/F-350/F-450 Trucks  
Crew Cab Short Bed & Long Bed  
(6.8ft & 8ft Bed)**

THIS MANUAL IS FOR USE WITH SYSTEM 49789, 49789-B, 49793 & 49793-B

Gale Banks Engineering  
546 Duggan Avenue • Azusa, CA 91702  
(626) 969-9600 • Fax (626) 334-1743

Product Information & Sales: (888) 635-4565  
Customer Support: (888) 839-5600  
Installation Support: (888) 839-2700

**bankspower.com**

A large, stylized, grey "BANKS" logo is positioned diagonally in the bottom right corner of the page. The letters are bold and blocky, with a slight shadow effect.

# General Installation Practices

**Dear Customer,**

**If you have any questions concerning the installation of your Banks Power System, please call our Technical Service Hotline at (888) 839-2700 between 7:00 am and 4:00 pm (PT). If you have any questions relating to shipping or billing, please contact our Customer Service Department at (888) 839-5600.**

**Thank you.**

- 1.** Before starting work, familiarize yourself with the installation procedure by reading all of the instructions.
- 2.** The exploded view (**Figure 1**, pages 4-5) provides only general guidance. Refer to each step and section diagram in this manual for proper instruction.
- 3.** Throughout this manual, the left side of the vehicle refers to the driver's side, and the right side to the passenger's side.
- 4.** Disconnect the negative (ground) cable from the battery (or batteries, if there are two) before beginning work.
- 5.** Route and tie wires and hoses a minimum of 6" away from exhaust heat, moving parts, and sharp edges. Clearance of 8" or more is recommended where possible.
- 6.** When raising the vehicle, support it on properly weight-rated safety stands, ramps or a commercial hoist. Follow the manufacturer's safety precautions. Take care to balance the vehicle to prevent it from slipping or falling. When using ramps, be sure the front wheels are centered squarely on

the topsides. When raising the front of the vehicle, put the transmission in park (automatic) or reverse (manual), set the parking brake, and block the rear wheels. When raising the back of the vehicle, be sure the vehicle is on level ground and the front wheels are blocked securely.

**CAUTION! Do not use floor jacks to support the vehicle while working under it. Do not raise the vehicle onto concrete blocks, masonry or any other item not intended specifically for this use.**

**7.** During installation, keep the work area clean. Do not allow anything to be dropped into intake, exhaust, or lubrication system components while performing the installation, as foreign objects will cause immediate engine damage upon start-up.

## Tools Required:

- 1/2" and 3/8" drive ratchets with inch and metric sockets and 1/2" and 3/8" drive extension
- Inch and metric combination or open-end wrenches
- Standard screwdriver
- Clean shop towels or rags
- Pry-bar
- Reciprocating saw

## Highly recommended tools and supplies:

- Foot-pound torque wrenches
- Penetrating oil or light lubricant spray
- Oxy-acetylene torch

# Products available from Banks Power for the 2011-2015 Ford 6.7L



## **Banks Ram-Air® Intake System (P/N 42215)**

- Increases your airflow over stock.
- Adds power, improves fuel economy, lowers EGTs and reduces smoke.

## **Banks AutoMind® Programmer (P/N 66110)**

- Clear and view OBDII Diagnostic Trouble Codes (DTC).
- Loaded with dyno-proven tuning files
- Speed Limiter adjustment capabilities.

## **Banks Straight-Shot® Water-Methanol Injection (P/N 45001)**

- Maximizes Engine Performance
- Cools Intake Temperatures
- Digital Controller (included)
- Plug-and-Play wiring
- Greater flow than the competition
- Higher Pump Volume than others

## **Banks Double-Shot® Water-Methanol Injection (P/N 45003)**

- The Double-Shot system offers the same benefits of the Straight-Shot and adds a second stage for increased output and control.

## **Banks iQ® System (P/N 61201)**

- 5" touchscreen interface
- Interchangeable gauge display, read and clear codes, monitor engine diagnostics, log data, time your vehicles runs and much more.

## **Banks iQ® Flash 2011-2012 (P/N 61222)**

- Gas/Diesel Programming. Gain up to +157 hp and +300 lb-ft (at the rear wheels). Up to 5 power levels (including Fuel Economy). Adjust or remove engine rev and/or top speed limiters. Adjust shift points and/or firmness. Banks iQ Flash controls AutoMind.

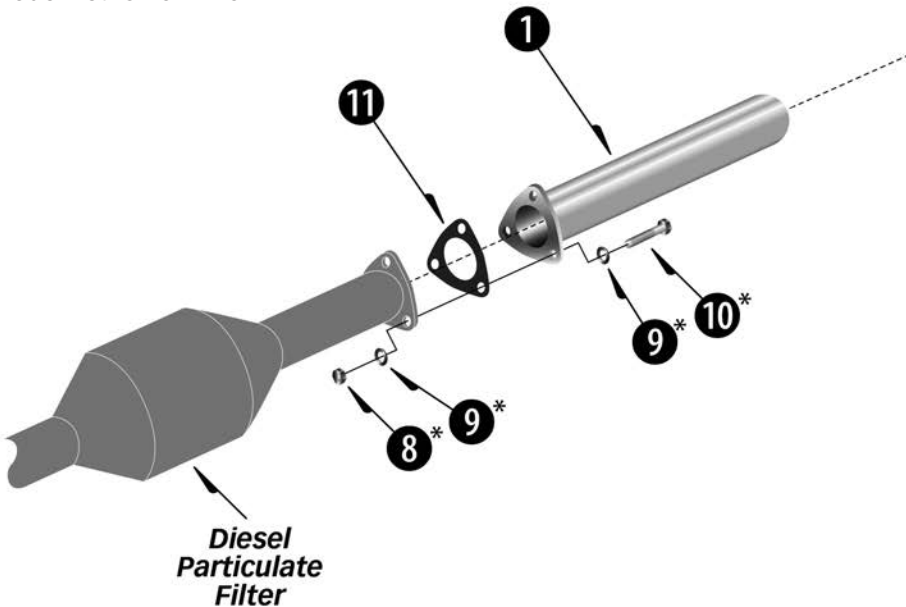
**For More Information please call (888) 635-4565  
or Visit us online @ [www.bankspower.com](http://www.bankspower.com)**

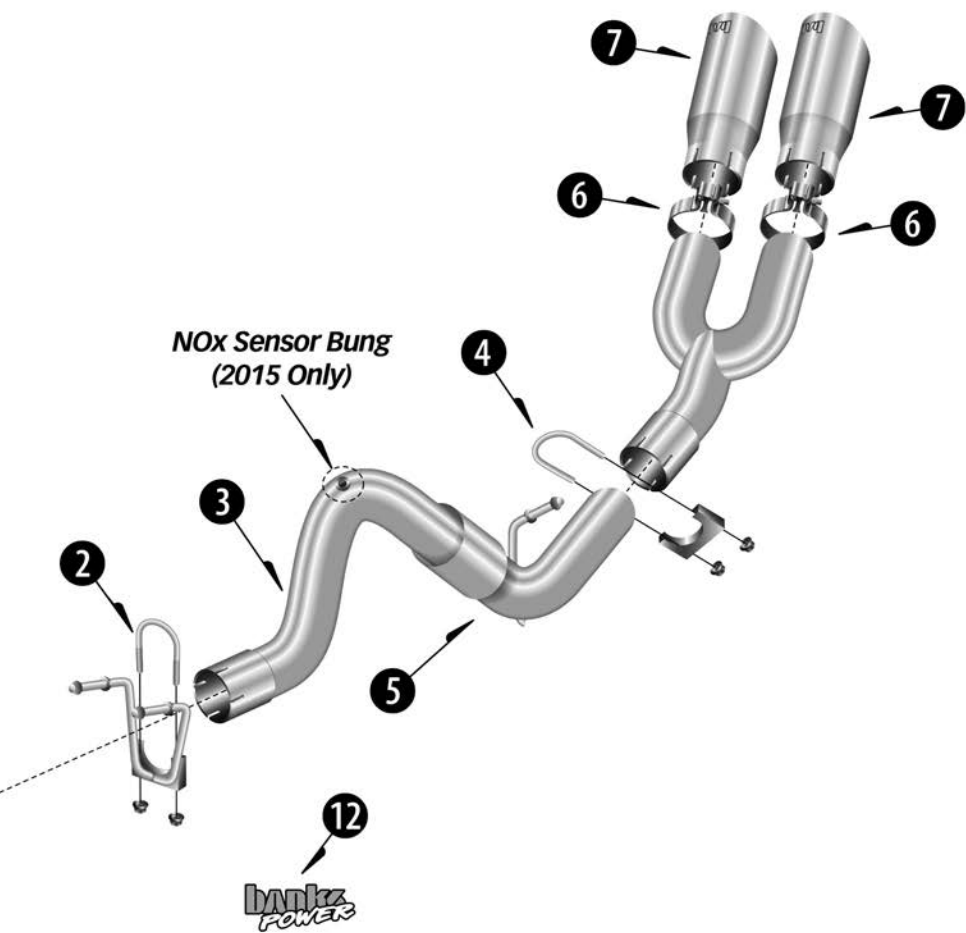
Figure 1

# General Assembly Diagram

Item	Description	P/N	Qty.
1	Intermediate Pipe	53997	1
2	Rear Hanger Clamp, 4"	53981*/ 53989	1
3	Tailpipe	53991*/ 53951	1
4	Exhaust Clamp, 4"	52470	1
5	Tailpipe Tip Assembly	53992	1
6	Exhaust Band Clamp	52467	2
7	Monster Tip	52718	2
8	Nut, Crimp Lock 7/16"-20	91619*	3
9	Washer, SAE Flat, Zinc - 7/16"	91602*	6
10	Hex Bolt, Grade 5, Zinc - 7/16"-20	91629*	3
11	Gasket, Intermediate Pipe	93211	1
12	Urocal, Bank Power	96009	2

\*Model Years 2011-2014





# Monster Exhaust System Installation

1. As a precaution, disconnect the ground of the battery (if there is more than one battery, disconnect both).
2. Raise the vehicle and support it with properly weight rated safety stands, ramps or a commercial hoist. Follow the manufacturer's safety precautions. Take care to balance the vehicle to prevent it from slipping or falling. When using ramps, be sure the front wheels are centered squarely on the topsides; place the transmission in park; set the parking brake and place blocks behind the rear wheels.

**⚠ CAUTION:** DO NOT WORK UNDER ANY VEHICLE SUPPORTED ONLY BY A JACK. SEVERE INJURY MAY RESULT.

**⚠ WARNING:** The following step may require the use of a torch and/or saw. Proper safety equipment should be used. Failure to use proper safety equipment may result in severe injury.

**NOTICE:** 2015 Model year only: Remove Factory NOx sensor with a 24mm wrench and tie safely out of the way to prevent damage. See **Figures 2 and 3.**

3. Removal of the factory exhaust can be simplified by cutting the factory exhaust pipe behind the muffler. This will allow the tailpipe to be removed as a separate piece.
4. Remove the factory tailpipe from the vehicle by disengaging the exhaust system hanger pins from the rubber hangers using a large screw-driver or pry bar.

**NOTICE:** Lubricating the rubber hangers with WD-40 or similar lubricant will ease removal of the hanger pins.

5. Remove the factory muffler from the vehicle by removing the three (3) nuts from the factory exhaust flange located at the factory muffler inlet.
6. For CCSB Models ONLY, locate

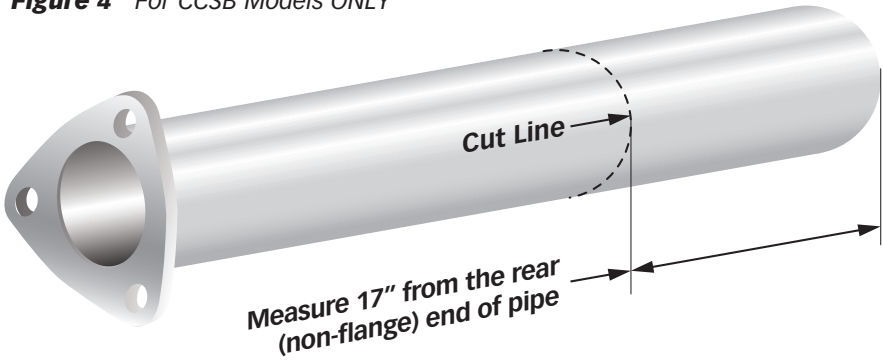
Figure 2



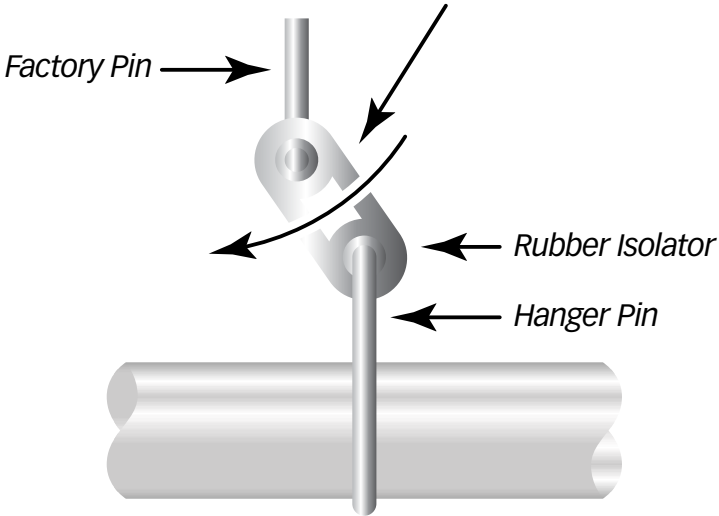
Figure 3



**Figure 4** For CCSB Models ONLY



**Figure 5** Hanger Angle Should Allow Pipe to Expand Toward Rear Of Vehicle



the supplied banks intermediate pipe and cut 17" off the non-flange side of the pipe as shown in **Figure 4**.

**7.** Install the Banks intermediate pipe and 3-bolt gasket onto the headpipe. Loosely assemble with the supplied bolts, washers, and nuts.

**8.** Slide the supplied 4" exhaust hanger clamp onto the outlet of the Banks flanged intermediate pipe so that the hanger pins point to the rear of the vehicle. Insert the hanger pin into the

factory rubber hanger.

**9.** Route the Tailpipe over the rear axle housing and onto the Banks Intermediate pipe outlet. Install the tailpipe hanger pin into the corresponding rubber hanger. Position the rubber hanger as shown in **Figure 5**. Loosely snug the rear hanger clamp.

**10.** Install the 4" exhaust clamp onto the inlet of the Tailpipe tip assembly. Install the Tailpipe tip assembly over the outlet of the Tailpipe. Slide the 4"

clamp into position that best supports the Tailpipe tip assembly. Loosely snug the hanger clamp on the intermediate pipe outlet.

**11.** Locate the supplied exhaust band clamps and install over the inlet of the Monster tips. Install each Monster tip onto the Tailpipe tip assembly. Lightly tighten the exhaust band clamps to secure the Monster tips to the Tailpipe tip assembly. Adjust the Tailpipe Tip under the rear fender such that the tip position is aesthetically pleasing.

**NOTICE:** *Maintain an adequate air gap clearance of one (1) inch between the exhaust and the shock absorber and between the exhaust and the spare tire.*

**CAUTION:** **IF THE TAILPIPE IS IN CONTACT WITH THE REAR UNDERCARRIAGE FENDER LINING, USE TEMPLATE 1 TO TRIM THE LINING AS SHOWN IN FIGURE 6.**

**12.** With everything positioned properly, begin to tighten the clamps

starting with the ones closest to the turbo and working your way back. Evenly torque the exhaust clamps to 35 ft-lbs. Make sure that each slip is fully inserted (+/- 1/4 inch).

**NOTICE:** **2015 Model year only:** *Re-install factory NOx sensor into Banks exhaust bung . Tighten by hand until snug, then with a wrench: 1/8-1/4 turn*

**13.** Remove the protective covering from the tailpipe tip.

**CAUTION:** **THE PROTECTIVE COVERING MAY IGNITE AND BURN IF NOT REMOVED PRIOR TO RUNNING THE ENGINE.**

**14.** Your system includes two “Banks Power” logos designed to complement the Ford badging on your truck. See **Figure 7** to position the logos for a clean factory look.

**15.** Re-connect battery terminals if previously removed. Banks Monster Exhaust installation is now complete.



**Figure 6** Placement of template on Passenger side rear undercarriage lining.

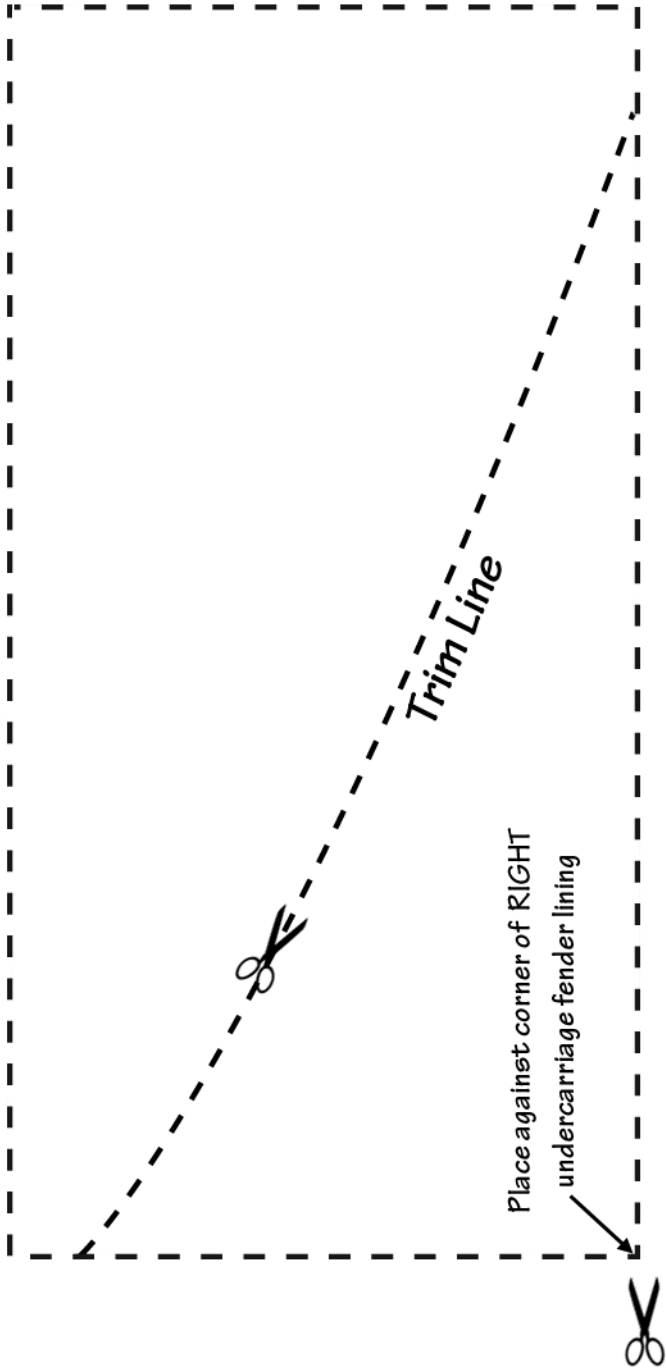


**Figure 7**





**Template 1**



Gale Banks Engineering  
546 Duggan Avenue • Azusa, CA 91702  
(626) 969-9600 • Fax (626) 334-1743

Product Information & Sales: (888) 635-4565  
Customer Support: (888) 839-5600  
Installation Support: (888) 839-2700

**[bankspower.com](http://bankspower.com)**