

with Installation Instructions

Owner's Manual

Banks Monster[®] Sport Exhaust System

**Late 1999-2003 Ford Power Stroke 7.3L
Turbo-Diesel F-250/F-350 Trucks Without
Factory Installed Catalytic Converter**

THIS MANUAL IS FOR USE WITH SYSTEM 48789

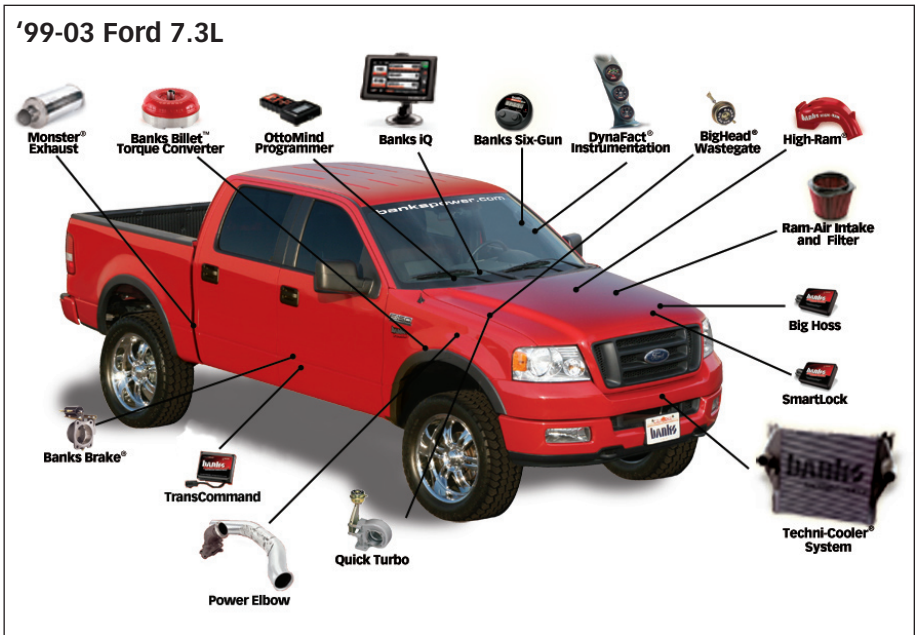
Gale Banks Engineering
546 Duggan Avenue • Azusa, CA 91702
(626) 969-9600 • Fax (626) 334-1743

Product Information & Sales: (888) 635-4565
Customer Support: (888) 839-5600
Installation Support: (888) 839-2700

bankspower.com



Also Available from Banks Power for '99-03 Ford 7.3L



Banks Power Elbow (P/N 48651-48652, 48661-48663)

- Reduces stock outlet and pipe backpressure

Banks Ram-Air Intake System (P/N 96885)

- Increases your airflow over stock.
- Adds power, improves fuel economy, lowers EGTs and reduces smoke.

Banks Techni-Cooler® System (P/N 25971-25973)

- Provides increased air flow to the engine by increasing air density for more increased power, lower EGTs and improved fuel economy.

Banks TransCommand (P/N 62570)

- Produces smooth, firm, light-throttle shifts and solid, decisive heavy-load shifts.
- Eliminates excessive clutch slippage

Banks Billet Torque Converter (P/N 72521)

- Higher torque capacity over stock
- Lockup clutch is slip-resistant so transmission fluids stay cooler and transmission life is prolonged.

Banks Diesel Tuner Six-Gun (P/N 66513-66515) **Big Hoss** (P/N 66505)

- Adds power safely to your vehicle
- Engine and transmission safeguards
- Change power levels on-the-fly

Thermocouple

- Add a temperature limiting function to your Diesel Tuner

Banks QuickTurbo (P/N 24456-24457)

- More boost through the powerband
- Does not over-boost
- Turbo-diesel efficiency

Banks Brake

(P/N 55202-55207)

- Increases the stopping power of your truck and extends the service life of your brakes

Banks SmartLock

(P/N 55266)

- Reduces wear on transmission
- Locks Torque Converter and raises trans-line pressure
- Works with Banks Exhaust Brake

OttoMind Programmer

(P/N 66064)

- Contains Banks tunes that boost your vehicles HP, Torque and MPG.
- Displays a host of critical engine functions
- Provides “service technician” diagnostic capabilities
- Has upgradeable functionality, so it will never be out of date

Banks Git-Kit Systems

(P/N 47401, 47511-47514)

Contains:

- Monster Exhaust
- Big Hoss Module

Banks Stinger Systems

Contains:

- Ram-Air Intake Filter
- Monster Exhaust
- Big Hoss Module
- Big Head Wastegate Actuator

Banks PowerPack Systems

Contains:

- Ram-Air Intake Filter
- Monster Exhaust
- Quick-Turbo
- TransCommand
- Techni-Cooler System
- Big Head Wastegate Actuator

Banks Six-Gun Bundle

(P/N 46594-46613)

Contains:

- Ram-Air Intake Filter
- Monster Exhaust
- Six-Gun Tuner
- TransCommand
- Big Head Wastegate Actuator

Banks Big Hoss Bundle

(P/N 46623-46643)

Contains:

- Ram-Air Intake Filter
- Monster Exhaust
- Six-Gun Tuner
- TransCommand
- Big Head Wastegate Actuator
- Techni-Cooler System
- Big Hoss Module
- Power Elbow

Banks Power Combo 1

Contains:

- Big Hoss Module
- TransCommand
- Big Head Wastegate Actuator

Banks Power Combo 2

Contains:

- Six-Gun Tuner
- TransCommand
- Big Head Wastegate Actuator

Banks Power Combo 3

Contains:

- Big Hoss Module
- Monster Exhaust

Banks Power Combo 4

Contains:

- Big Hoss Module
- TransCommand
- Big Head Wastegate Actuator
- Six-Gun Tuner

**For More Information please call (800) 438-7693
or Visit us online @ www.bankspower.com**

General Installation Practices

Dear Customer,

If you have any questions concerning the installation of your Banks Monster Exhaust System, please call our Technical Service Hotline at (888) 839-2700 between 7:00 am and 5:00 pm (PT). If you have any questions relating to shipping or billing, please contact our Customer Service Department at (888) 839-5600.

Thank you

1. For ease of installation of your Banks system, familiarize yourself with the procedure by reading the entire manual before starting work.
2. The exploded view (pages 4-5) provides only general guidance. Refer to each step and section diagram in this manual for proper instruction.
3. Throughout this manual, the left side of the vehicle refers to the driver's side, and the right side to the passenger's side.
4. Disconnect the ground cable from the battery (or batteries, if there are two) before beginning work.
5. Route and tie wires and hoses a minimum of 6" away from exhaust heat, moving parts and sharp edges. Clearance of 8" or more is recommended where possible.

6. When raising the vehicle, support it on properly weight-rated safety stands, ramps or a commercial hoist. Follow the manufacturer's safety precautions. Take care to balance the vehicle to prevent it from slipping or falling. When using ramps, be sure the front wheels are centered squarely on the topsides; put the transmission in park; set the hand brake; and place blocks behind the rear wheels.

Caution! Do not use floor jacks to support the vehicle while working under it. Do not raise the vehicle onto concrete blocks, masonry or any other item not intended specifically for this use.

7. During installation, keep the work area clean. Do not allow anything to be dropped into intake, exhaust, or lubrication system components while performing the installation, as foreign objects will cause immediate turbocharger and/or engine damage upon start-up.

Note: Prior to beginning any work, please verify the build date of your vehicle.

Certain steps in this manual are model-year specific, so be sure to read each step carefully before performing any work.

Tools Required:

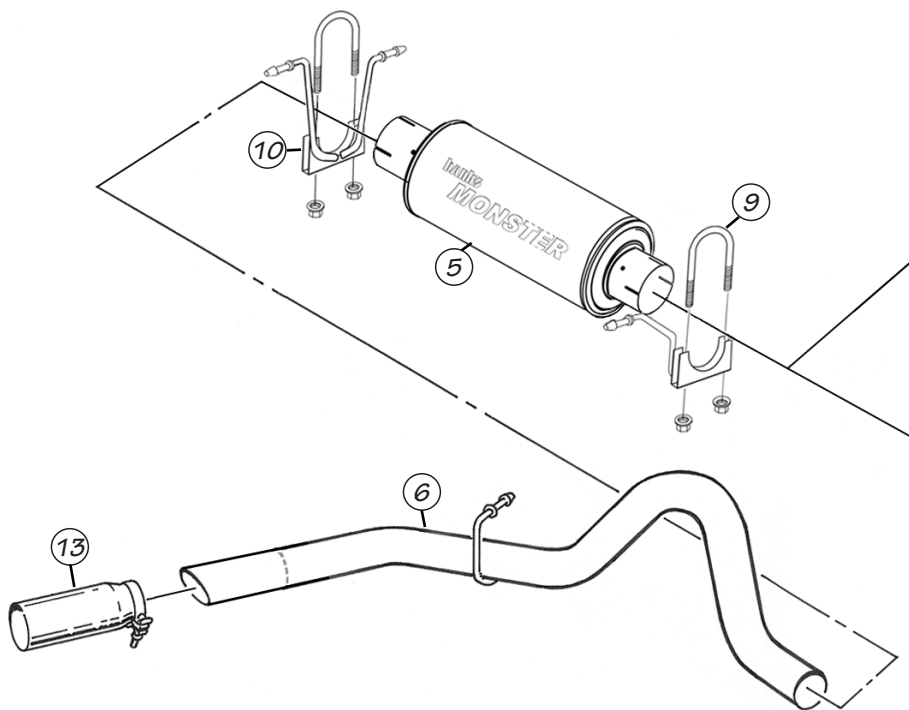
- 1/2" and 3/8" drive ratchets with inch and metric sockets and 1/2" and 3/8" drive extension
- Inch and metric combination or open-end wrenches
- Standard screwdriver
- Clean shop towels or rags
- Pry-bar
- Reciprocating saw
- Inch-pound and foot-pound torque wrenches
- Penetrating oil or light lubricant spray

General Assembly

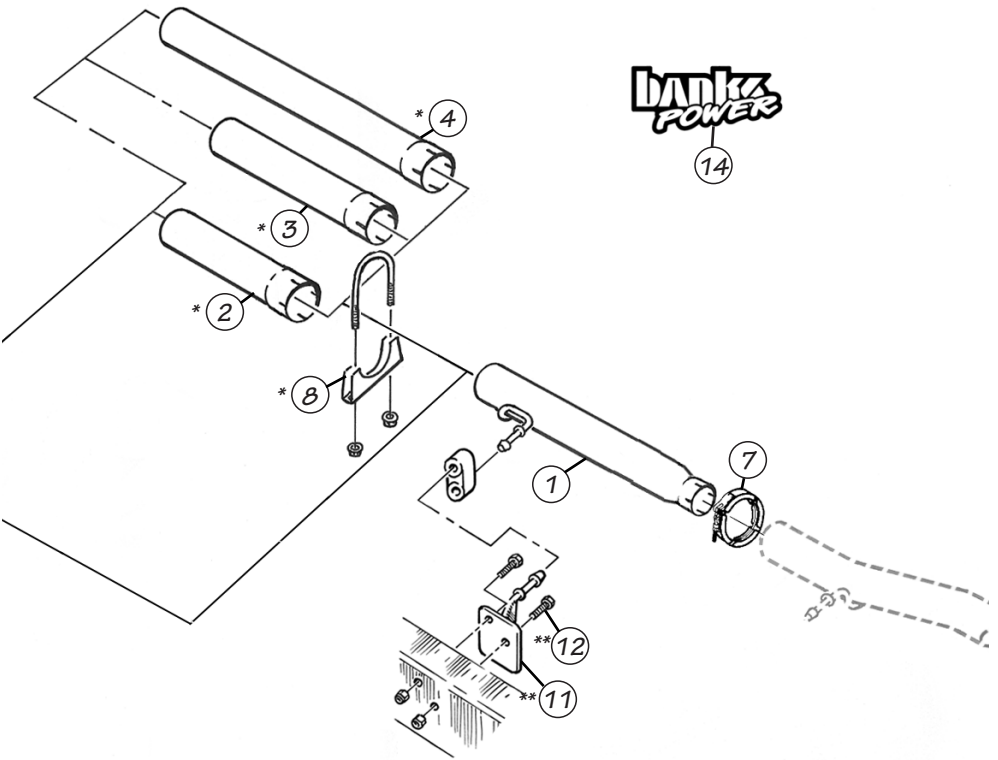
Figure 1

Item	Description	P/N	QTY
1	Intermediate Pipe	53456	1
*2	Extension Pipe Kit, CCSB	53516	1
*3	Extension Pipe Kit, ECLB	53517	1
*4	Extension Pipe Kit, CCLB	53518	1
5	Monster Muffler	53810	1
6	Tailpipe	53465	1
7	3.5" Exhaust Clamp, Band Style	52467	1
*8	4" Exhaust Clamp	52470	1
9	Hanger Clamp, Muffler Front	53453	1
10	Hanger Clamp, Muffler Rear	53454	1

* Extension Pipe Kits contain one (1) 4" exhaust Clamp



Item	Description	P/N	QTY
**11	Frame Mounted Hanger	53519	1
**12	Bolt, 8MM X 1.25 X 30MM Hex	91789	2
13	Monster Tailpipe Tip (Optional)	52383	1
14	Banks Urocal	96009	
** Extension Pipe Kit 53517 ONLY			



Monster Exhaust System Installation

1. Disconnect the negative (ground) cable from the battery (if there is more than one battery, disconnect both negative cables). Secure the cable so it cannot accidentally come in contact with the post.

2. Raise the vehicle and support it securely with properly weight-rated safety stands, ramps or a commercial hoist. Take care to balance the vehicle to prevent it from slipping or falling. When using ramps, be sure the wheels are centered squarely on the topsides. Place the transmission in park (automatic) or reverse (manual), set the parking brake and securely block the wheels that are on the ground.

CAUTION: Do not work under any vehicle supported only by a jack. Severe injury may result.

WARNING! The following step may require the use of a torch and/or saw. Proper safety equipment should be used. Failure to use proper safety equipment may result in severe injury.

3. From under the vehicle, remove the factory exhaust system from the factory front intermediate pipe. See **Figure 2**. Starting at the rear of the vehicle, remove each component by either cutting through the pipe near the clamps or by removing the clamps and heating the joints with an Oxy-Acetylene torch to allow crimped pipes to separate.

DO NOT CUT OR DAMAGE CATALYTIC CONVERTER TUBING DURING THE REMOVAL PROCESS.

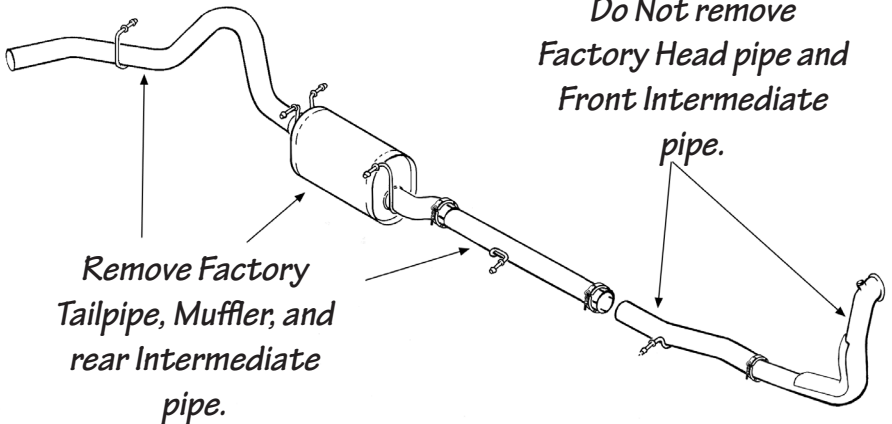
Remove the hanger pins from the rubber hangers with a pry bar. (Spray lubricant will ease hanger removal.)

4. Place a 3½" clamp on the end of the factory head pipe

5. For Super-cab short-bed: Install the supplied intermediate pipe.

For Crew-cab short-bed: Install the intermediate pipe. Place a 4" clamp on the end of the intermediate pipe and install the **extension pipe kit (P/N 53516)**.

Figure 2



For Super-cab long-bed: Remove the rear frame mounted hanger (see **Figure 3**) and install the supplied frame mounted hanger in its place, using the two 8mm x 30mm hex bolts supplied and re-using the two 8mm nuts previously removed. Install the intermediate pipe. Place a 4" clamp on the end of the intermediate pipe and install the **extension pipe kit (P/N 53517)**.

For Crew-cab long-bed: Install the rear intermediate pipe. Place a 4" clamp on the end of the rear intermediate pipe and install the **extension pipe kit (P/N 53518)**.

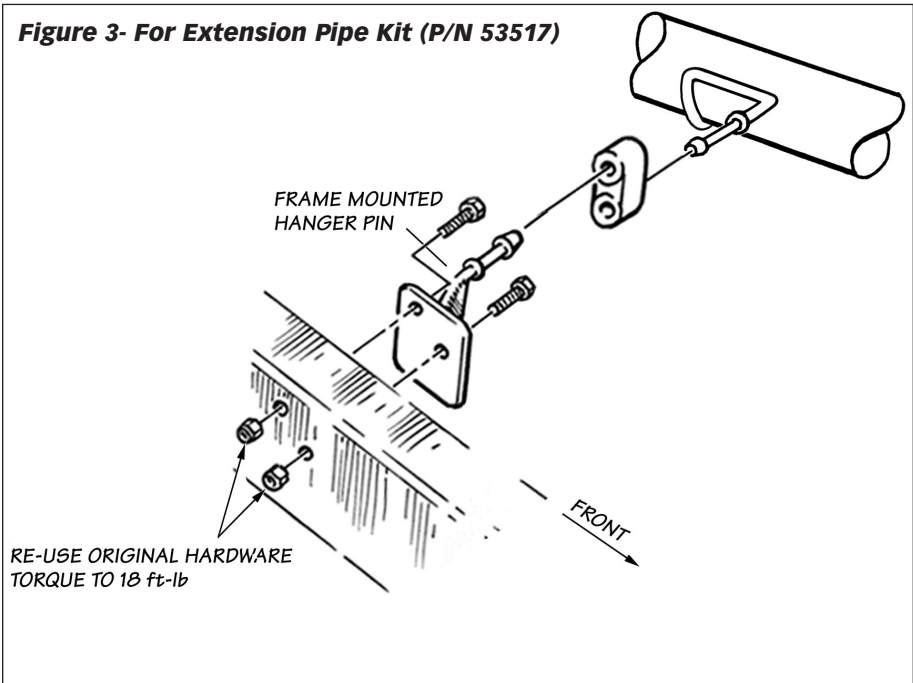
6. Install the single pin front hanger clamp onto the intermediate pipe with the hanger pin on the inside facing the muffler. Insert the hanger pin into the vehicle's rubber grommet.

7. Install the inlet of the Banks Monster muffler onto the intermediate pipe. Install the dual pin rear hanger clamp onto the outlet of the Monster muffler with the hanger pins on the inside, facing the muffler. Insert the two hanger pins into the vehicle's rubber grommets. Orient the muffler such that the Banks logo is visible from the passenger side.

8. Install the tailpipe into the outlet of the Monster muffler. Insert the hanger pin on the tailpipe into the vehicle's rubber grommet.

*Note: If installing optional tailpipe tip, cut off 4" from the tailpipe outlet before installing the tailpipe into Banks Monster Muffler. See **Figure 4**.*

Figure 3- For Extension Pipe Kit (P/N 53517)



If not installing the optional Banks Monster Tailpipe Tip, Skip to step 10.

9. Insert the optional tailpipe tip over the tailpipe outlet. Adjust the tip past the edge of the body or where aesthetically pleasing. Torque the band clamp to 35 ft-lb.

10. Remove protective wrapping from tailpipe tip.

11. Position all the exhaust components such that all the hanger pins are parallel with the frame pins and all exhaust tubing is located properly. Lightly tighten the clamps to maintain position. The tailpipe tip should be positioned 1-1½ " below the bottom edge of the fender. All hangers should be hanging slightly forward to allow for heat expansion of the exhaust tubing (see **Figure 5**).

12. With everything positioned properly, begin to tighten the clamps starting with the ones closest to the turbo and working your way back. Torque all clamps to 35 ft-lbs.

13. Your system includes two Banks Power logos that have been designed to compliment the Ford badging on your truck. We have provided measurements, which will allow you to place these logos in a position that gives a clean factory look. See **Figure 6**.

14. The Monster Exhaust installation is now complete.

Figure 4- For installation of Optional Tailpipe Tip

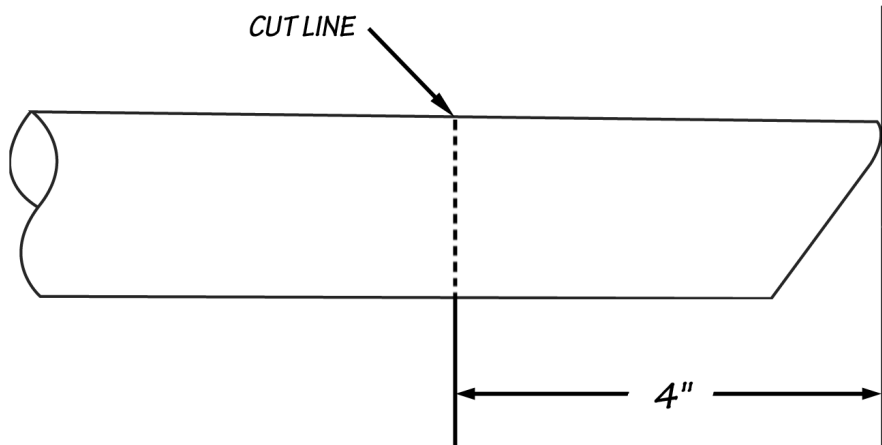
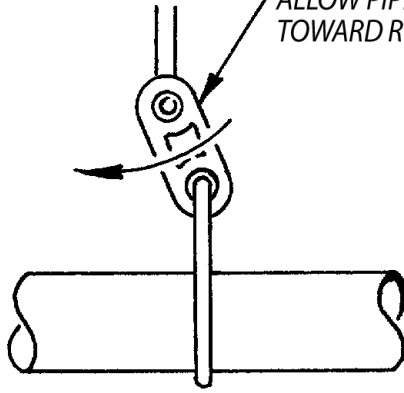


Figure 5- Allow Space for Heat Expansion

HANGER ANGLE SHOULD ALLOW PIPE TO EXPAND TOWARD REAR OF VEHICLE

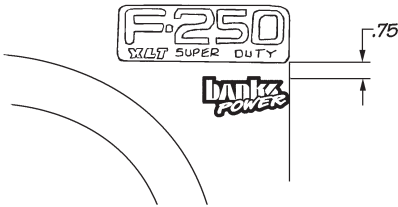


← DIRECTION OF PIPE EXPANSION

← REAR OF VEHICLE

Figure 6- Logo Placement

TYPICAL LEFT FENDER



TYPICAL RIGHT FENDER



Gale Banks Engineering
546 Duggan Avenue • Azusa, CA 91702
(626) 969-9600 • Fax (626) 334-1743

Product Information & Sales: (888) 635-4565
Customer Support: (888) 839-5600
Installation Support: (888) 839-2700

bankspower.com