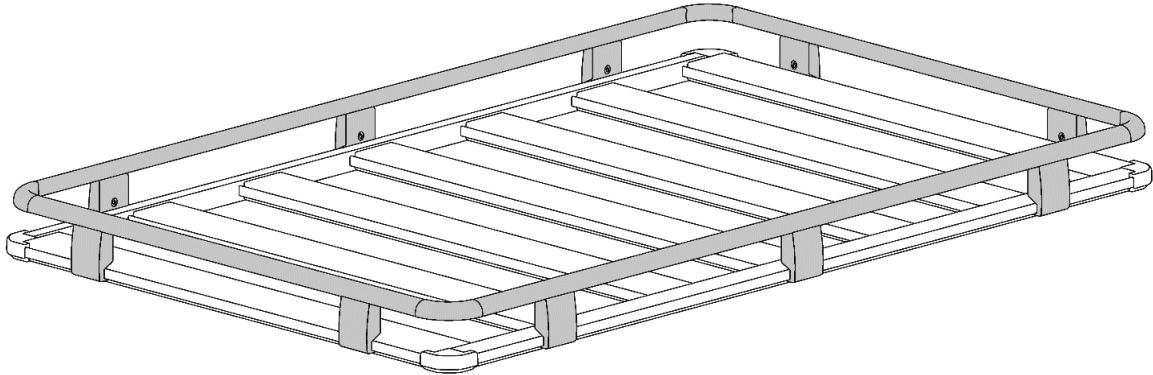


# **ARB** **BASE RACK**

## FITTING INSTRUCTION

### **BASE RACK GUARD RAIL SYSTEM FULL RAIL KIT**



#### **NOTE THE FOLLOWING:**

- ◆ This product must be installed exactly as per these instructions using only the hardware supplied.
- ◆ For fitment to ARB BASE RACK only, refer to application guide for relevant part numbers
- ◆ This product or its fixing must not be modified in any way.
- ◆ It is recommended that this product is only installed by trained personnel
- ◆ Fitting Guard Rails to BASE RACK prior to vehicle installation may aid assembly
- ◆ During installation, it is the duty of the installer to check correct operation/clearances of all components
- ◆ Work safely at all times
- ◆ Unless otherwise instructed, tighten fasteners to specified torque
- ◆ Fastener torques are to be checked after first 500km and at vehicle service intervals
- ◆ Guard rails are not a rated tie down point. Do not use guard rails for lashing loads

---

## **ARB 4x4 ACCESSORIES**

### Corporate Head Office

42-44 Garden St  
Kilsyth, Victoria  
AUSTRALIA 3137

Tel: +61 (3) 9761 6622  
Fax: +61 (3) 9761 6807

Australian enquiries  
North & South American enquiries  
Other international enquiries

sales@arb.com.au  
sales@arbusa.com  
exports@arb.com.au

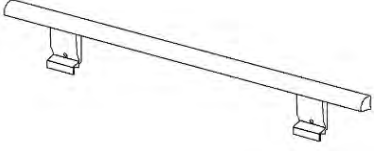
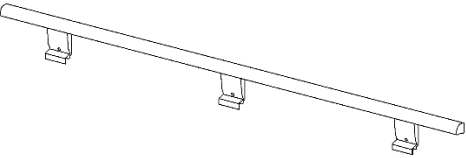
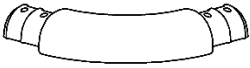






---

**[www.arb.com.au](http://www.arb.com.au)**

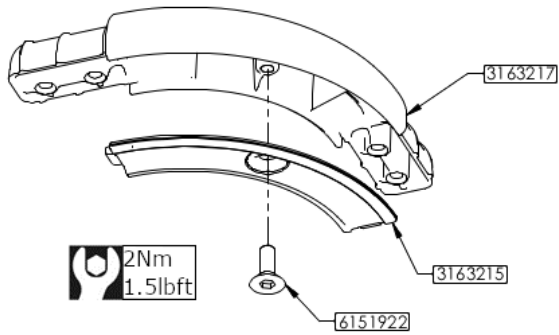
## FITTING REQUIREMENTS

### REQUIRED TOOLS FOR FITMENT OF PRODUCT:

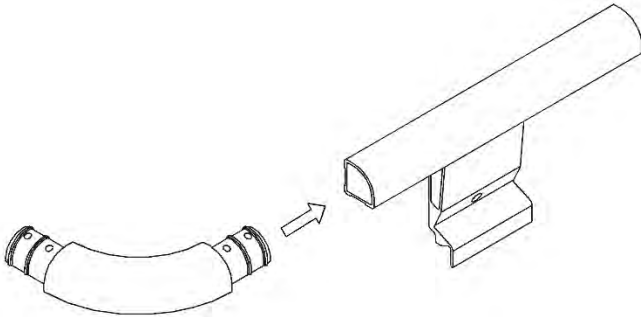
4mm Hex/Allen key	T40 Torx (provided with rack)
T30 Torx (provided)	

APPLICATION.	PART NO.	QTY.	DESCRIPTION
	-	2	Cross Rail Assembly
	-	2	Side Rail
	3163217	4	Corner Casting
	3163215	4	Corner Blank Cap
	6582491	10	Cast Upright Clamp
	6151924	10	Torx Screw M8x20mm Black Yellow Patch
	6151623	8	Torx Screw M6x16mm Black Blue Patch
	4584329	8	Washer M6x12mm Black
	6151922	4	Screw M6x16mm Countersunk

## FITTING PROCEDURE

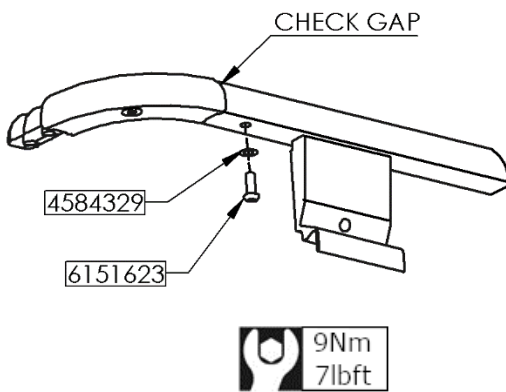


1. Secure the corner blank cap to the corner castings with M6x16 countersunk screw
2. Repeat for all corners

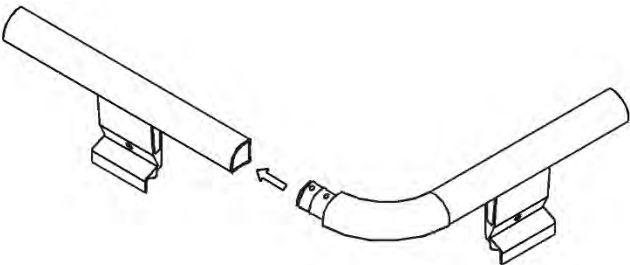


3. Insert corner casting into side rail as shown

**Hint: The casting is a tight fit  
It may be necessary to lubricate ribs to ease fitment**

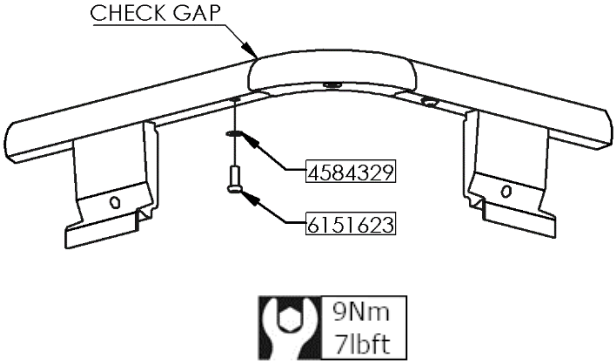
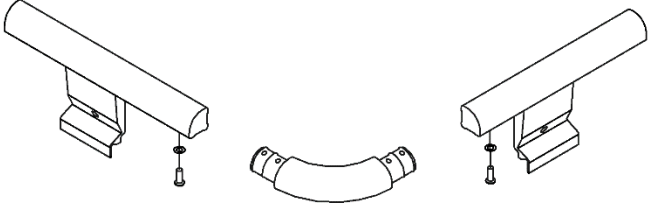
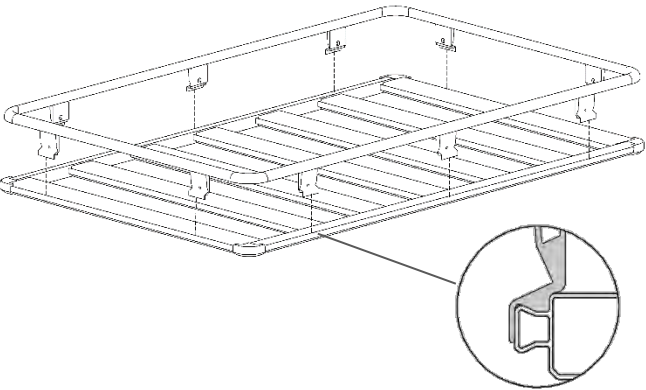
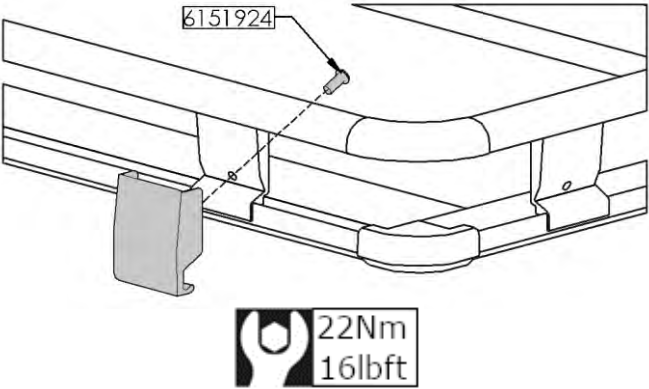
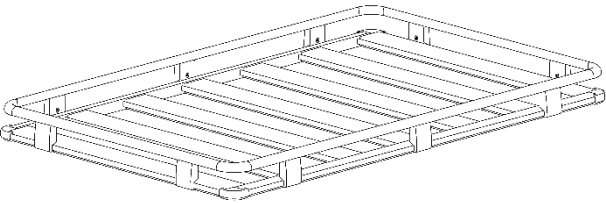


4. Check the gap is closed between the rail and casting
5. Secure the corner with M6x16 Torx screw and washer



6. Insert the side rail assembly into the cross rail as shown

**Hint: The casting is a tight fit  
It may be necessary to lubricate ribs to ease fitment**

	<ol style="list-style-type: none"> <li>7. Check the gap is closed between the rail and casting</li> <li>8. Secure the corner with M6x16 Torx screw and washer</li> </ol>
	<ol style="list-style-type: none"> <li>9. Repeat steps 3-8 for all remaining corners</li> </ol>
	<ol style="list-style-type: none"> <li>10. With the help of a second person, lower rail assembly on to the rack</li> <li>11. Ensure the uprights are locked into to the BASE RACK dovetail as shown</li> </ol>
	<ol style="list-style-type: none"> <li>12. Fit cast clamp over upright. Secure with an M8x20 Torx screw</li> <li>13. Repeat for all uprights</li> </ol>
	<ol style="list-style-type: none"> <li>14. Check all fastener torques, check the roof is clean and clear of parts</li> <li>15. Place fitting instructions in safe location for future reference</li> </ol>