

# **ARB** **BASE RACK**

## **FITTING INSTRUCTION**

Part Number: 1780390

Product Description: **BASE RACK AWNING MOUNT – HEAVY DUTY**

### **WARNING**

- ◆ This awning mount is designed for awnings up to 30kg in weight
- ◆ These instructions are a supplement to the awning manufacturer instructions
- ◆ Do not use this product for any product, other than those specified by ARB
- ◆ This product must be installed exactly as per these instructions using only the hardware supplied
- ◆ This product or its fixing must not be modified in any way
- ◆ These instructions are correct as at the publication date
- ◆ During installation, it is the duty of the installer to check correct operation/clearances of all components
- ◆ Work safely at all times
- ◆ Unless otherwise instructed, tighten fasteners to specified torque
- ◆ Fastener torques are to be checked at regular intervals

## **ARB 4x4 ACCESSORIES**

Corporate Head Office

[www.arb.com.au](http://www.arb.com.au)

42-44 Garden St  
Kilsyth, Victoria  
AUSTRALIA 3137

Tel: +61 (3) 9761 6622  
Fax: +61 (3) 9761 6807

Australian enquiries  
North & South American enquiries  
Other international enquiries

[sales@arb.com.au](mailto:sales@arb.com.au)  
[sales@arbusa.com](mailto:sales@arbusa.com)  
[exports@arb.com.au](mailto:exports@arb.com.au)

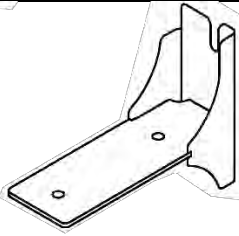
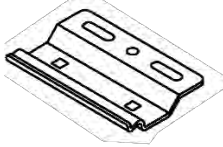
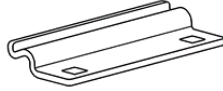
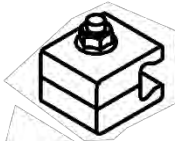

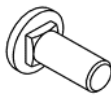



### **REQUIRED TOOLS FOR FITMENT OF PRODUCT:**

<b>13mm Spanner/Wrench</b>	<b>10mm Spanner</b>
<b>4mm Hex (Allen) Key</b>	

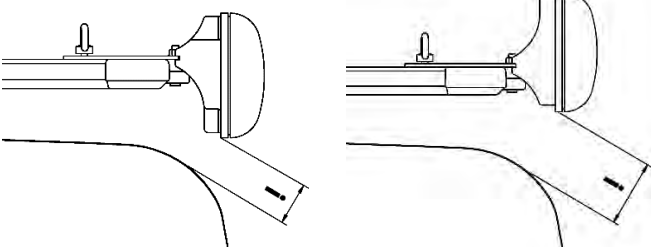
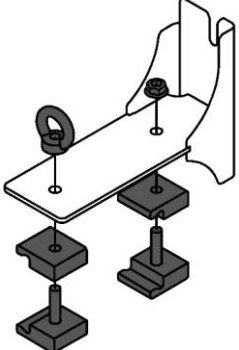
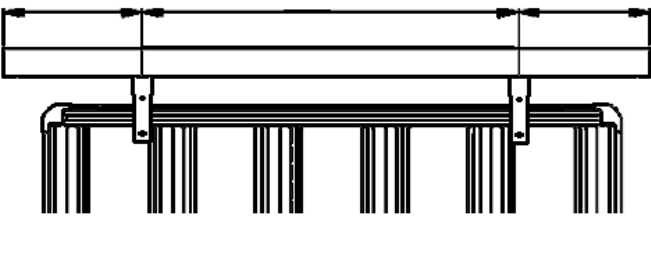
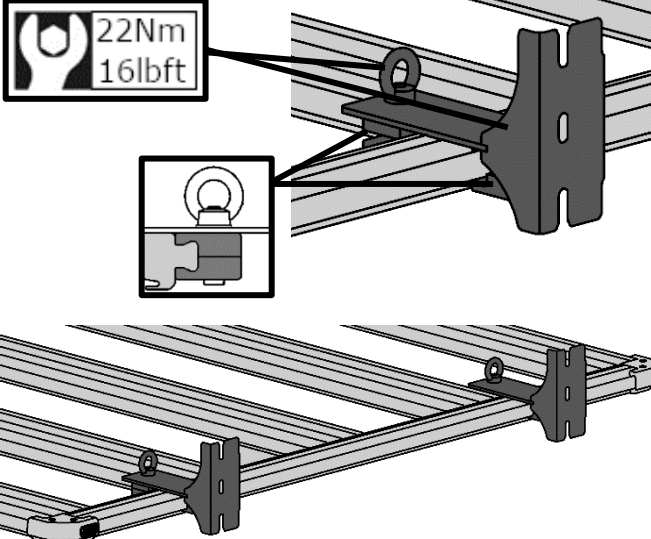
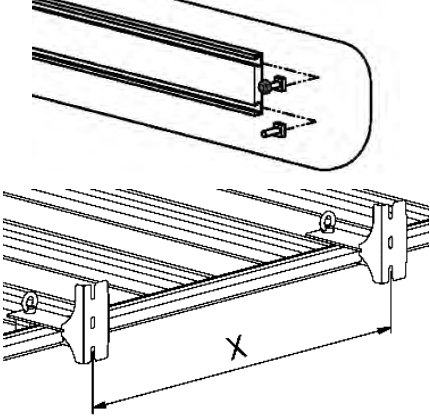
### **FASTENER TORQUE SETTINGS:**

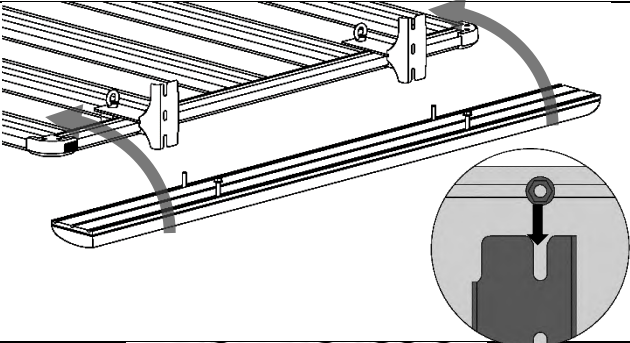
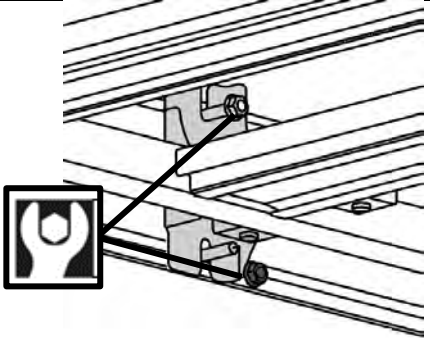
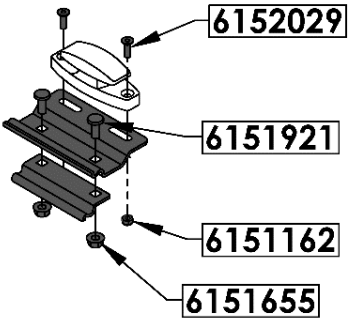
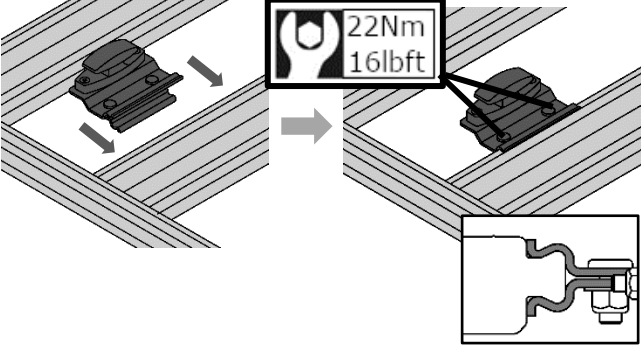
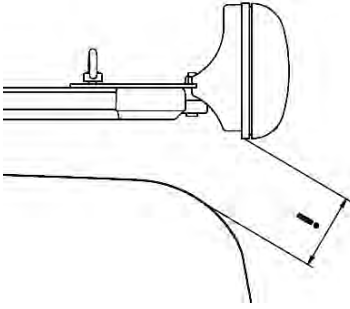
<b>SIZE</b>	<b>Torque Nm</b>	<b>Torque lbft</b>
M6	9Nm	7lbft
M8	22Nm	16lbft

## PARTS LISTING

APPLICATION.	PART NO.	QTY	DESCRIPTION
	3750745	2	BRKT AWNING HVY DUTY
	3750746	1	BRKT HORIZONTAL WIDE
	3752562	1	BRKT ACC CLAMP 100MM
	6177673	1 (PAIR)	ALLOY BLOCK KIT FLANGE NUT
	6177464	1 (PAIR)	ALLOY BLOCK KIT EYE NUT
	6151921	4	BOLT COHD M8x20 PC8.8 LWHD
	6151655	6	NUT FLANGE M8
	6151162	2	NUT NYLOC M6
	6152029	2	SCREW CSK M6x20

## FITTING PROCEDURE

	<ol style="list-style-type: none"> <li>1. Decide if the bracket will mount in the higher or lower orientation <ul style="list-style-type: none"> <li>• Check clearance distance to vehicle panels</li> <li>• Check door opening</li> <li>• Check window opening</li> </ul> </li> </ol>
	<ol style="list-style-type: none"> <li>2. Loosely assemble brackets with one set of aluminium blocks with an Eye Nut and one set with Flange Nut <ul style="list-style-type: none"> <li>• The location of the Eye Nut and Flange Nut are interchangeable</li> <li>• For <b>high</b> position, the long flange is on the <b>nut</b> side</li> <li>• For <b>low</b> position the long flange is on the <b>block</b> side</li> </ul> </li> </ol>
	<ol style="list-style-type: none"> <li>3. Plan the position of the brackets <ul style="list-style-type: none"> <li>• Refer to awning manufacturer recommendations</li> </ul> <p>Otherwise;</p> <ul style="list-style-type: none"> <li>• Distance between brackets should be approximately 75% the length of the awning</li> </ul> </li> </ol>
	<ol style="list-style-type: none"> <li>4. Install the bracket to the rack One block mounts to the outer BASE Rack dovetail, one block mounts to a cross beam BASE Rack dovetail</li> <li>5. Tighten the Eye Nuts and Flange Nuts to specified torque</li> </ol>
	<ol style="list-style-type: none"> <li>6. Insert awning bolts as per awning instructions Install a flange nut on each of the top mounting bolts</li> <li>7. Set the distance between awning bolts to match the distance between brackets</li> </ol>

	<p>8. Hang the awning on the brackets</p> <p>Engaging the top slot with the bolt/flange nut, then guide the lower bolt into the lower slot</p>
	<p>9. Install a flange nut to the lower bolt</p> <p>10. Tighten nuts to awning manufacturers specification or 22Nm/16lbft for M8 bolts or 9Nm/7lbft for M6</p>
<p>Open the awning as per manufacturer's instructions</p>	
	<p>11. The awning supplied may contain an additional hook point</p> <p>A bracket and additional fasteners have been supplied to provide a mounting point to a BASE Rack</p>
	<p>12. Establish the desired lashing point</p> <p>13. Fit the hook and bracket over the BASE Rack dovetail</p> <p>14. Tighten bolts to specified torque</p>
	<p>15. Check all clearances</p> <ul style="list-style-type: none"> <li>• Check clearance distance to vehicle panels</li> <li>• Check door opening</li> <li>• Check window opening</li> </ul>

# ARB BASE RACK