



FITTING INSTRUCTIONS

3640160 – SUMMIT RAW RSTB NON PARKING SENSORS

3640170 – SUMMIT RAW RSTB WITH PARKING SENSORS

SUITED TO VEHICLE/S: FORD RANGER 2011 ON

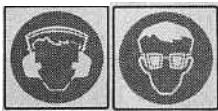
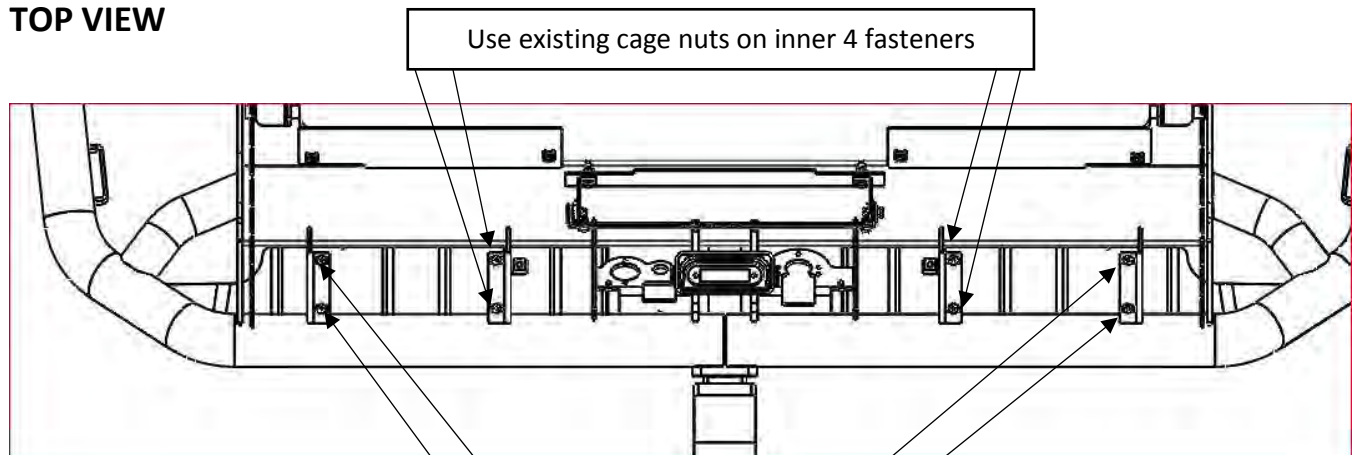
MAZDA BT50 2011 ON

FITTING PROCEEDURE FOR FIELD FIX KIT FOR TREAD PLATE MOUNTING SCREWS

NOTE: READ THESE INSTRUCTIONS IN CONJUCTION WITH F/INSTRUCTION 3789759


1. At step 72 don't fit the 4 outer top cage nuts for fastening the tread plate.
2. With the tread plate placed centrally, check the fitment of the M6 button head screws in the 4 outer holes.
3. Die grind the metal bracket if necessary. Paint bracket to prevent corrosion.
4. Using the M6 flange nuts in the kit, fit the 4 outer fasteners through the tread plate. Tighten by hand only.
5. Install 4 M6 button head screws to the inner cage nuts and tighten all 8 screws to spec.

TOP VIEW



Warning: Drilling operations can result in flying metal debris, safety glasses should be worn.

Use the M6 flange nut in this kit.
Die grind steel bracket if necessary.

 **M6 X 1 -9 Nm.**