



Thank you for your
Tonno Pro order!



Please read Before Installing!

Your satisfaction is important to us, please let us help!
If you are having any problems with your Tonno Pro Truck Cover, please read the following steps to help us quickly respond to your requests.
Please take care in saving the box until after your installation is complete.
If you have ordered incorrectly, having the original box and packaging materials will save you time and prevent possible return damages.

ORDERED INCORRECTLY - Please contact the store from which you purchased the cover and allow them to contact us to issue a Return Authorization number. The retailer will contact us immediately and we will respond promptly. You can call or email us to verify the correct part number needed at 1(888) 477-3729.

SHIPPING DAMAGE - Please inspect your cover carefully and do not install if you see any damage. Report the damage to the retailer where you purchased it from. They will contact us and we will take the necessary steps to send a new replacement cover.

BROKEN OR DAMAGE PART(S) - All parts are available for purchase on our website, www.tonnopro.com . Select the "PARTS" option in the menu bar at the top of the page. We have included images of all the different parts that are available for your cover. Your order will be shipped within 24 hours after your order is placed.

WARRANTY ISSUES - If you believe you have a warranty issue that may be considered a manufacturing defect, please follow these instructions. For warranty details please see page 4 of this instruction booklet.

- A. Make sure the product is registered on the Tonno Pro website, www.tonnopro.com/registration.
 - B. Contact the Tonno Pro retailer where you purchased the cover.
 - C. Please have your serial number and digital images readily available to email to the Tonno Pro Retailer upon request. This will help expedite the warranty process.
 - D. Please allow up to 72 business hours for further instructions on how the claim will be processed.
- For easy reference please write the serial number in the boxes below. Serial numbers can be found on the driver's side front crossbeam.

Write serial number here.

Limited Lifetime Warranty

- Tonno Pro offers a limited lifetime warranty against defective materials or workmanship on all aluminum rails, aluminum components, clamps, hinges, bows, hardware, and vinyl.

Warranty Conditions

This warranty is against defective materials or workmanship. This warranty is void if the product has been damaged by accident, unreasonable use, neglect, improper service or installation. Not considered under this warranty is any modification, acts of God, normal wear and tear, or other causes not arising from defective materials or workmanship. Examples of Conditions That Void Our Warranty:

- Wind Whip Damage – The cover must be secure to truck when vehicle is in motion.
- Improper Cleaning – The use of cleaning chemicals not approved for cleaning vinyl. Do not use products such as Armor All. These are vinyl conditioners and will cause the vinyl to shrink or to fade prematurely.
- Overloading of Cargo – Cargo must not be allowed to touch the cover in any position. Protrusions in the vinyl will cause stress in the fabric and cause unnecessary weak spots in the material.

Execution and Performance

Tonno Pro reserves the right to determine if all warranty conditions have been met. Upon determination, Tonno Pro may require the product to be returned postage prepaid to further inspect the warranty claim. Given that all conditions are met, Tonno Pro will either repair or replace (at Tonno Pro's determination) the product or the component. In the event that a product must be returned, our Return Authorization # must be obtained through our customer service department and must be on the returned parcel for it to be accepted. This warranty gives you specific legal rights and you may also have other legal rights which vary from state to state.

ATTENTION!

1. Do not place objects on or against cover or framework.
2. Do not tie cargo to cover framework.
3. **Never** allow children or pets to occupy pickup box while cover is closed.
4. Cover is not airtight. Special care is required to keep cargo clean and dry.
5. Fabric cover won't prevent theft of contents inside truck box.
6. Cover must be rolled fully open and secured with retainer straps when towing vehicle backwards.
7. Opened cover must be secured with both retainer straps when driving vehicle.
8. Cover must **NEVER** be rolled partially open while operating vehicle.
9. Cover must be rolled fully open and secured with retainer straps if any part of the truck bed cover is worn or damaged.

OWNER/USER RESPONSIBILITIES

It is the responsibility of the owner/user to read this manual and comply with the operating procedures. Failure to follow safety instructions and warning labels could result in failure of your cover system and/or personal injury.

MESSAGES TO INSTALLER

- Always wear safety glasses and/or other necessary protective equipment when installing your truck bed cover system.
- These instructions are complete for most pickup models. Additional instructions are included, if required for your pickup. Please read entire manual before installing your truck bed cover system.

If you have:

- Plastic (composite) bed caps, remove the black rubber seal gasket before installation.
- Utility rails you will need to purchase an additional bracket for your cover to fit properly. www.tonnopro.com for a complete listing of Utility Track Brackets.



WARNING

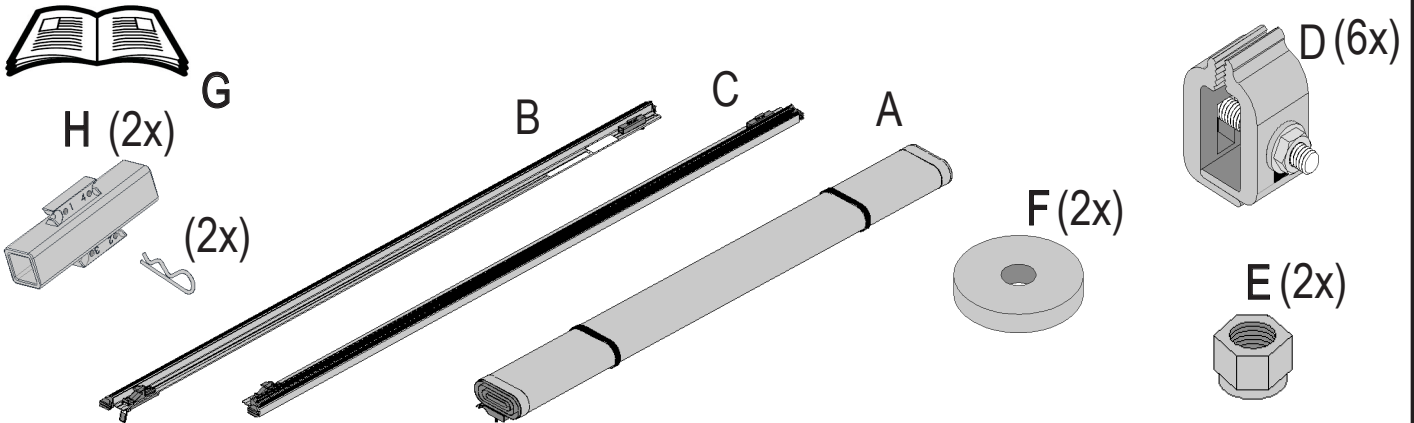
Tighten clamps securely on side rails before driving vehicle, to prevent cover from blowing off.

To prolong the usage and function of your tonneau cover, you should check it regularly for wear, proper fit, and debris caught on the cover. Check mounting hardware regularly to insure that all clamping mechanisms are tight and secure.

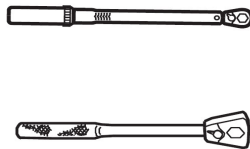
1. When cleaning your truck cover, make sure to clean your vehicle and cover in a shaded place like under a tree or in an open garage.
2. First flood the cover with water to remove surface grit that will scratch the finish when wiped. Wash your cover with cool, clean water and a mild soap.
3. Next, using a hose, rinse the cover well making sure to remove all traces of soap and wipe off excess water using a sponge. Be careful to hose down the entire truck to prevent soap from streaking your truck's paint finish. Do not use chemicals like detergents, dish washing liquids, bleaches, harsh cleansers, strong cleaners, dry-cleaning solvents, or any other strong chemicals as a cleanser.
4. Apply some quality vinyl cleaner that you can find in the nearest auto parts store. Using a white all-cotton towel, wash the entire tonneau cover with the cleaner. To avoid rings or bright spots on your tonneau cover never spot clean your tonneau cover. Make sure that you only use a soft cotton cloth or sponge as a cleaning tool. Do not use rough, abrasive cleaning pads because these can scratch the vinyl, creating pores that allow dirt and other unwanted particles to stick. Do not use vinyl protectants that contain petroleum, silicone or citrus-based additives to ensure your cover looks its best!

Components

1: **IMPORTANT - Please read BEFORE starting.**



Tools Required



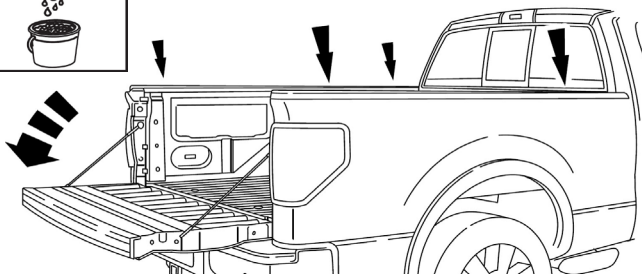
9/16"



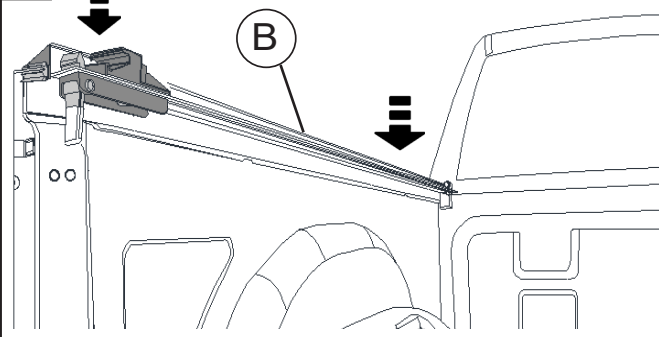
1/2"



2:

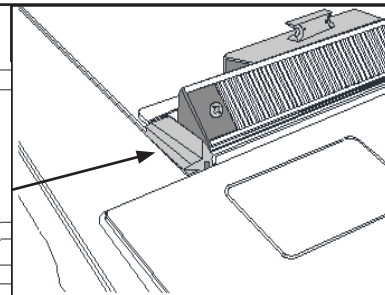
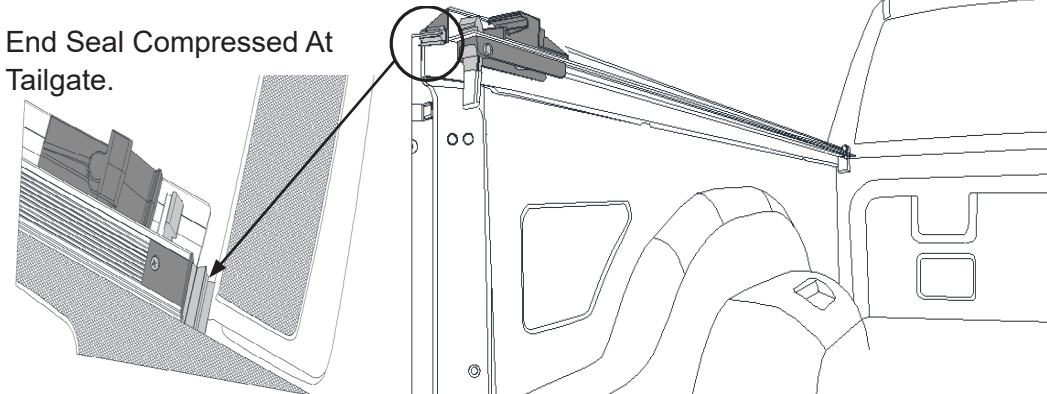


3:



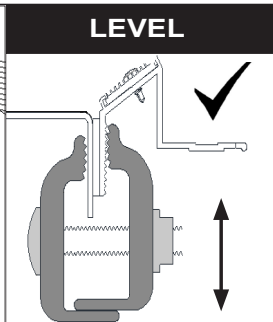
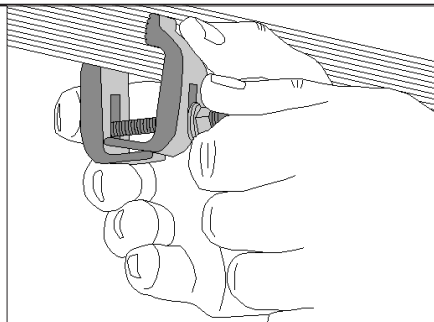
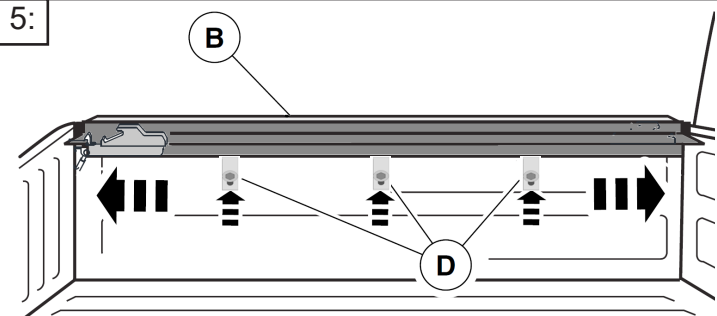
4: With Tailgate Closed, Position Side Rail Compressing End Seals Equally Between Cab and Tailgate.

End Seal Compressed At Tailgate.



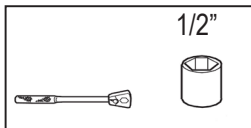
Seal Compressed At Cab.

5:



LEVEL

When installing clamps, finger tighten nut holding back side of clamp. Be sure the teeth of the clamp engage with the grooves of the side rail. Holding the clamp, tighten the nut not allowing the clamp to rotate.

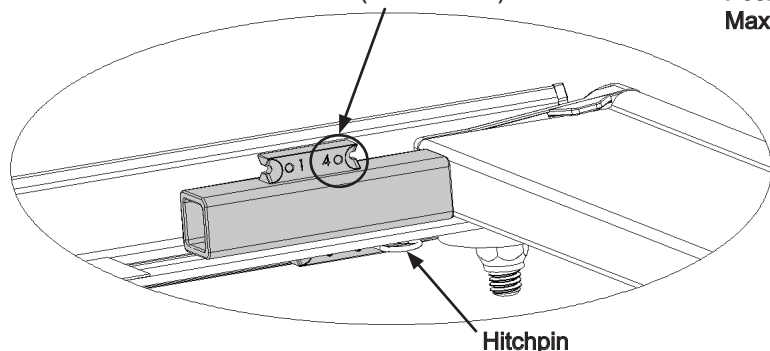


WARNING Tighten clamps securely on side rails before driving vehicle.

6: Repeat steps 3-5 on passenger side for item C. Proceed to step 7 when complete.

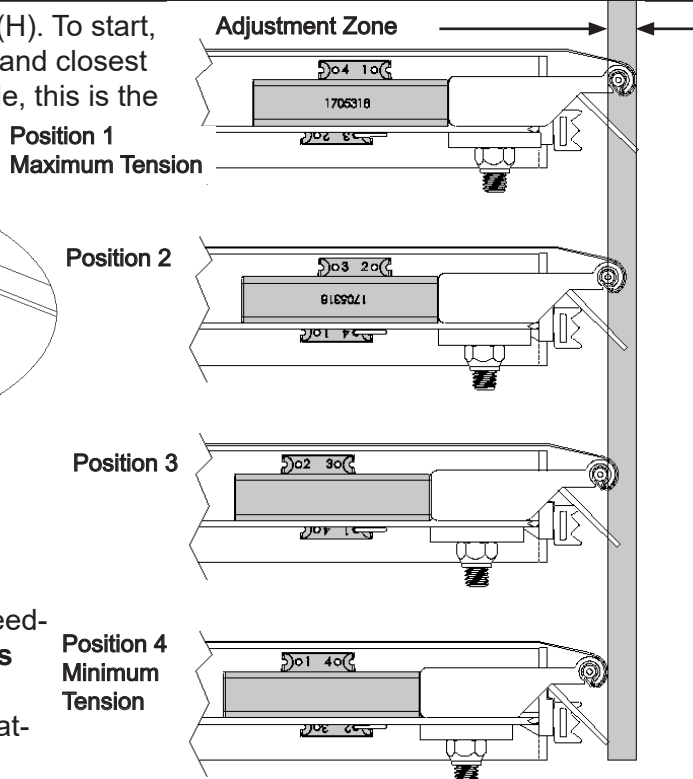
SETTING TENSION ADJUSTMENT BLOCKS

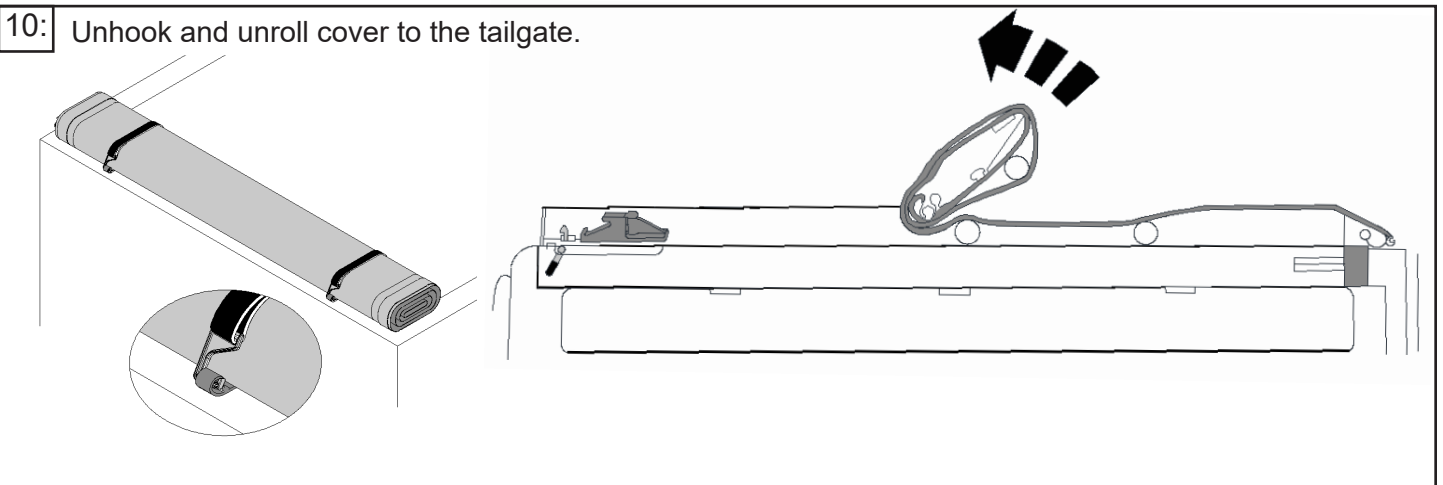
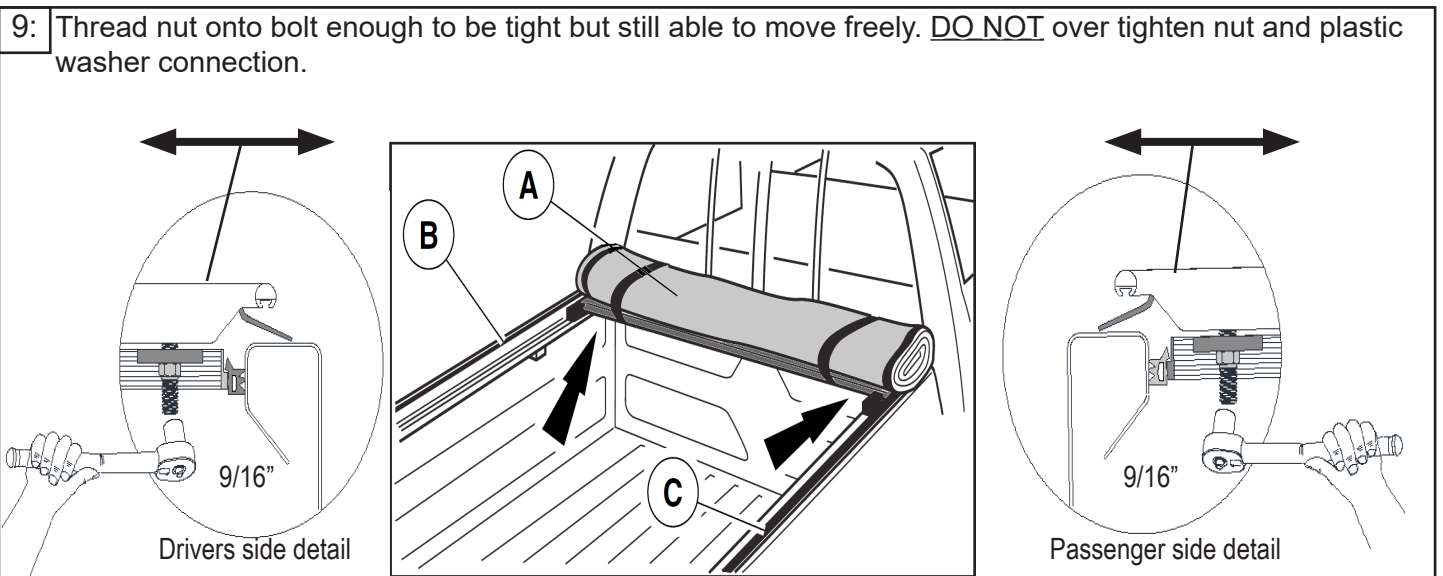
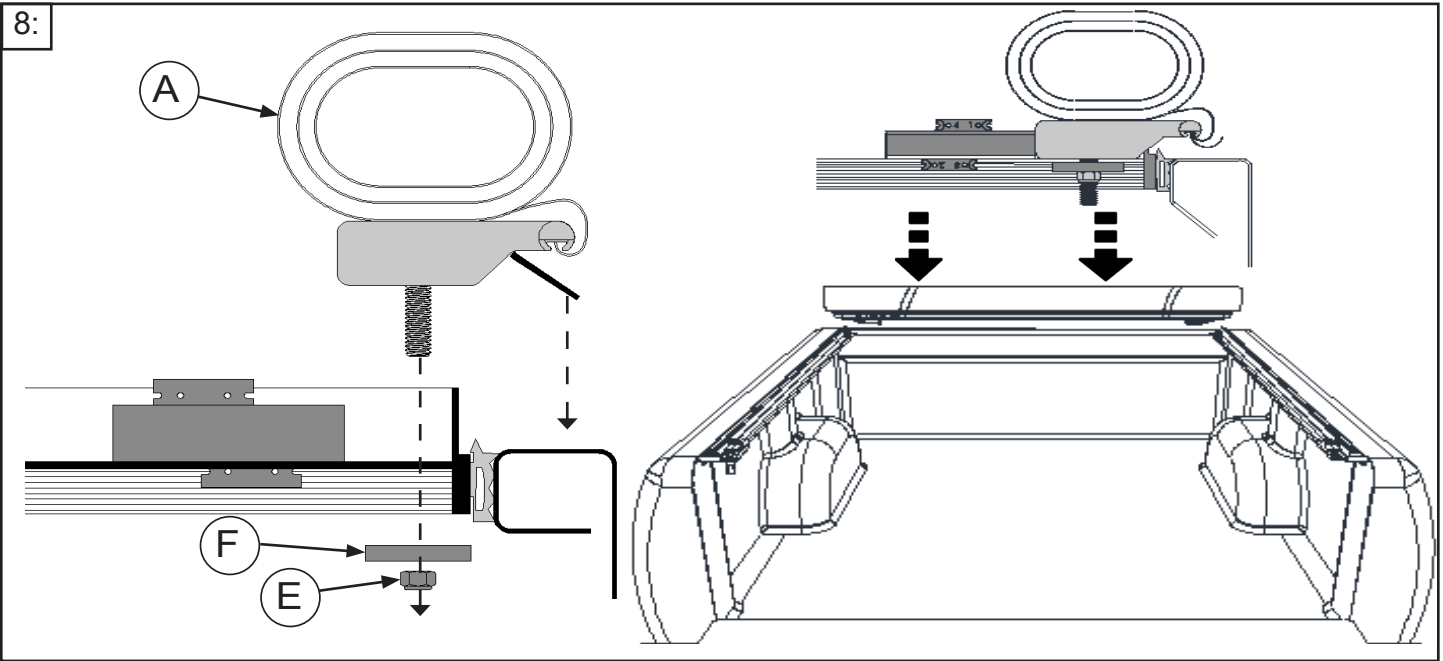
7: Cover tension is controlled by two adjustable blocks(H). To start, place blocks in position shown below. With 4 on top and closest to front header. Secure blocks with hitchpin in #2 hole, this is the least amount of tension. (Position 4)

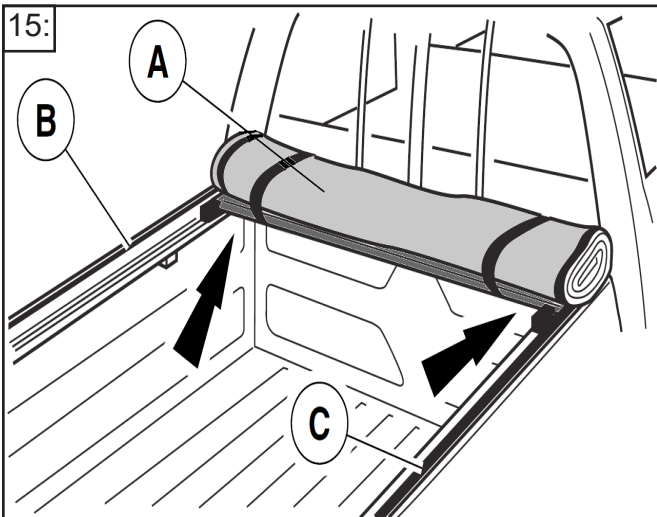
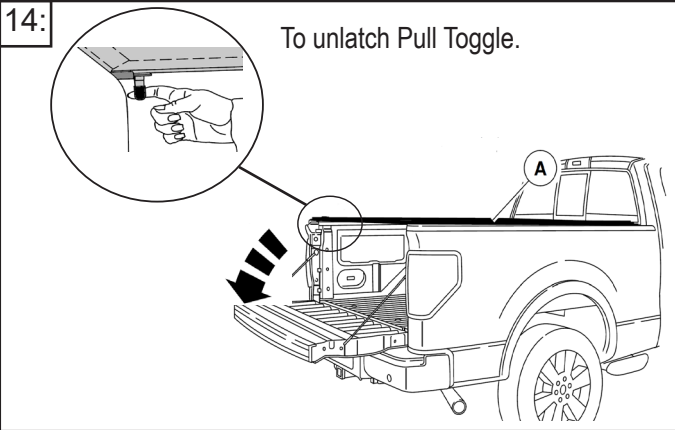
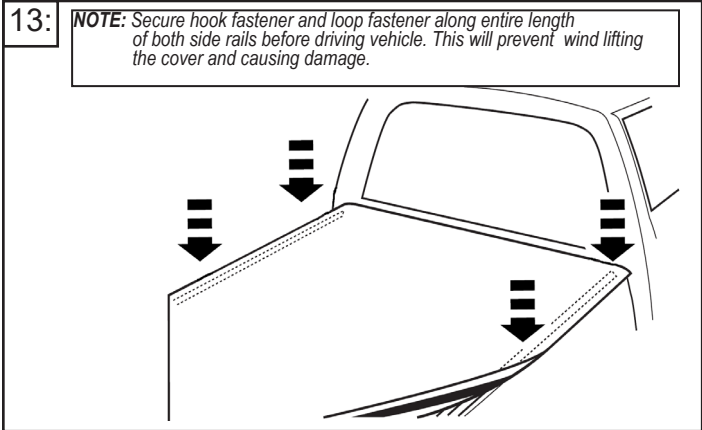
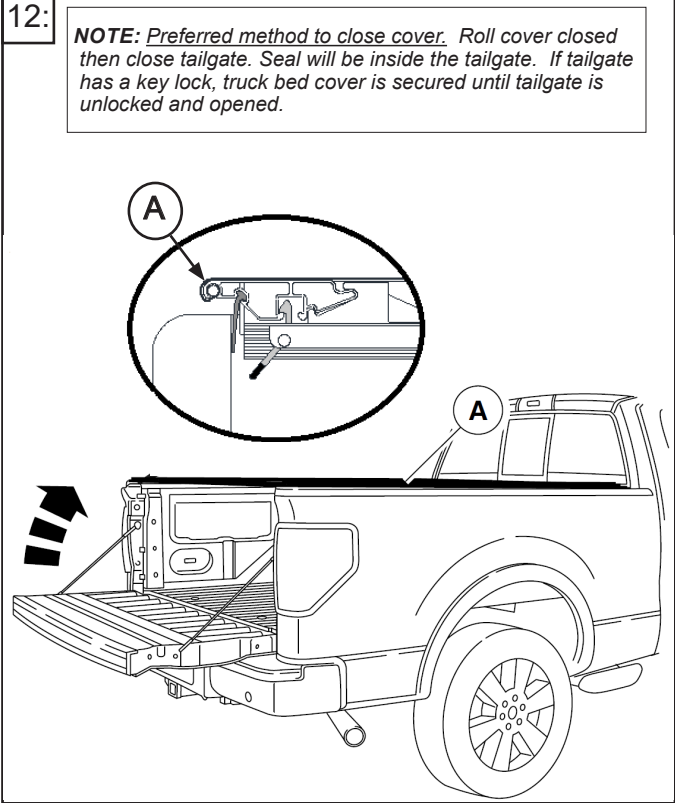
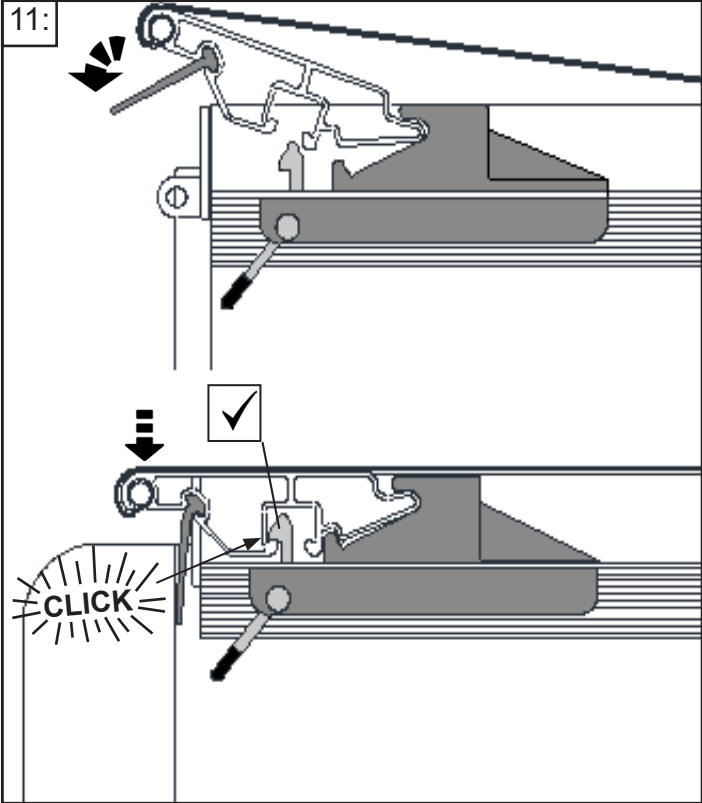


Setting cover tension

1. Set cover tension during warmest part of the day.
2. Roll cover up to adjustable block.
3. Pull Hitchpin and rotate blocks to the next position needed. Replace Hitchpin. **(Driver and passenger blocks must always be in the same position.)**
4. Close cover and re-check adjustment. Repeat until satisfactory tension has been achieved.



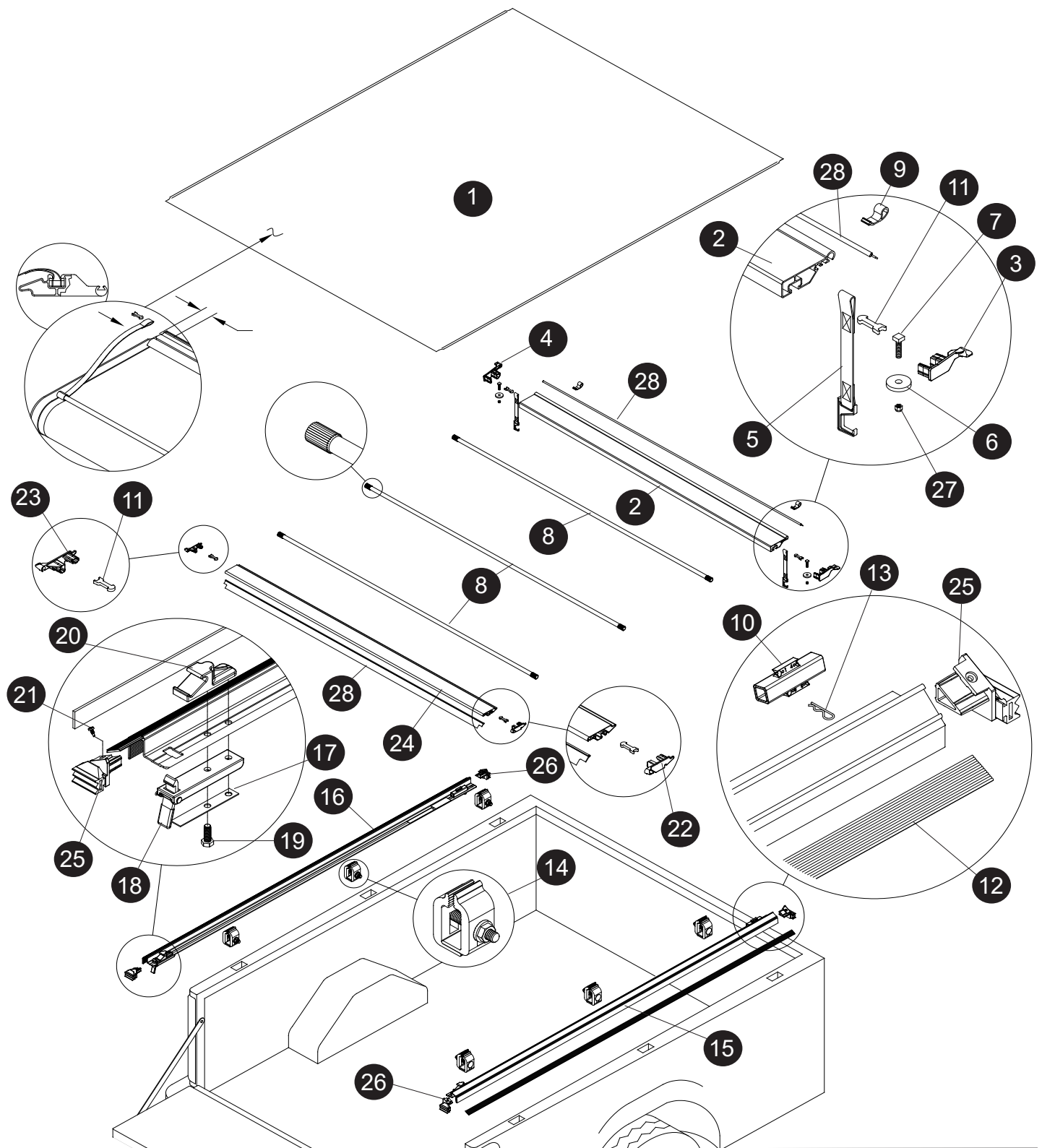




CAUTION

ROLL COVER TIGHT AND SECURE BOTH RETAINER STRAPS. **DO NOT** STOW COVER AGAINST CAB WINDOW.

To stow cover open roll cover to the front. Secure both hooks **DO NOT** stow cover against cab window.



REPLACEMENT PARTS

| | | | | | | | | |
|----|---------|-----------------------------|----|---------|-----------------------------|----|---------|----------------------------|
| 1 | * | Replacement Cover | 12 | * | Hook Strip | 23 | 1705404 | Rear Header End Plug LH |
| 2 | * | Front Header | 13 | 1703332 | Hitch Pin | 24 | * | Rear Header |
| 3 | 1705310 | Front Header End Plug RH | 14 | 1705234 | Clamp Assembly (6) | 25 | 1117958 | Side Rail End Plug Assy LH |
| 4 | 1705311 | Front Header End Plug LH | 15 | * | Side Rail, Passenger's Side | 26 | 1117959 | Side Rail End Plug Assy RH |
| 5 | * | Retainer Strap | 16 | * | Side Rail, Driver's Side | 27 | 1701580 | Hex Nut Full Nylon Lock |
| 6 | 1115745 | Plastic Washer | 17 | 1114773 | Flat Spring | 28 | * | Extruded Header Seal |
| 7 | 1703455 | Square Head Cap Screw | 18 | 1704213 | Latch Assembled | | | |
| 8 | * | Bow Assembly | 19 | 1703455 | Cap Screw | | | |
| 9 | 1705192 | Retainer Loop | 20 | 1705336 | Header Stop | | | |
| 10 | 1705318 | Tension Adjustment Block | 21 | 1703690 | Self Drill Screw | | | |
| 11 | 1705364 | Header Insert Retainer Clip | 22 | 1705405 | Rear Header End Plug RH | | | |

* Please specify length or make and model of vehicle.