



INSTALLATION INSTRUCTIONS

TOP CHANNEL - POLICE PUSH BAR

APPLICATION:

Police Push Bars

AUTOMOTIVE PRODUCTS, PART NUMBER:

36-6005, 36-6015, 36-6005C2, 36-6005F2, 36-6005W2, 36-6015C2, 36-6015F2, 36-6015W2, 36-6005C4, 36-6005F4, 36-6005W4, 36-6015C4, 36-6015F4, 36-6015W4, 36-6005C2XT4, 36-6005C4XT4, 36-6015C2XT4, 36-6015C4XT4, 36-6005S2, 36-6005S4, 36-6015S2, 36-6015S4, 36-6005F2MP, 36-6005F4MP, 36-6015F2MP, 36-6015F4MP, 36-6005C2MR6, 36-6005C4MR6, 36-6015C2MR6, 36-6015C4MR6

ITEM	QUANTITY	DESCRIPTION	TOOLS NEEDED
1	1	TOP CHANNEL ASSEMBLY	ALLEN WRENCH
2	14	M4 SHORT BUTTON HEAD SCREW ({22} S. OFF & FEDERAL)	SCREWDRIVER
3	14	M4 FLAT WASHER ({30} CODE 3, {22} SOUND OFF & FEDERAL)	
4	14	M4 TOOTHED LOCK WASHER ({22} S. OFF, FEDERAL & CODE 3)	
5	8	M3.5 PHIL PAN SELF THREADING SCREW (WHELEN KITS ONLY)	
6	8	M4 LONG BUTTON HEAD SCREW (CODE 3 KITS ONLY)	
7	8	M4 HEX NUT (CODE 3 KITS ONLY)	
8	2 / 4	STEEL BACKING PLATE (CODE 3 T-REX KITS ONLY)	
9	8	M4 U-CLIP NUT (FS MICROPULSE ONLY)	
10	8	M3 HEX NUT (FS MICROPULSE ONLY)	
11	8	M3 SPLIT LOCK WASHER (FS MICROPULSE ONLY)	
12	4 / 8	NYLON SPACER (CODE 3 & WHELEN ONLY)	
13	2 / 4	STEEL ADAPTER PLATE (SOUND OFF & FEDERAL KITS ONLY)	
14	8 / 16	M3 PHIL PAN SCREW (SOUND OFF KITS & FS MICROPULSE)	
15	16	M3 SPLIT LOCK WASHER (SOUND OFF KITS ONLY)	
16	16	M3 FLAT WASHER (SOUND OFF KITS & FS MICROPULSE)	
17	22	M4 PHILLIPS PAN HEAD SCREW (BLACK ZINC) (CODE 3 MR6 ONLY)	
18	22	M4 FLAT WASHER (BLACK ZINC) (CODE 3 MR6 ONLY)	
19	30	M4 EXT. TOOTH LOCK WASHER (BLACK ZINC) (CODE 3 MR6 ONLY)	
20	8	M4 SPACER (RAW) (CODE 3 MR6 ONLY)	
21	2 / 4	ADAPTER BRACKET (CODE 3 MR6 ONLY)	

ANTI-SEIZE LUBRICANT MUST BE USED ON ALL STAINLESS STEEL FASTENERS TO PREVENT THREAD DAMAGE AND GALLING

PROCEDURE

- Remove contents from box, verify if all parts listed are present and free from damage. Carefully read and understand all instructions before attempting installation.
Failure to identify damage before installation could lead to a rejection of any claim.
- Install the lights (not included) as shown using the supplied hardware (**Figures 1-6**).
- Verify that the lights are centered properly by temporarily holding up the supplied Top Channel. Adjust the light position if necessary.



Westin Automotive Products, Inc.
320 W. Covina Blvd
San Dimas, Ca. 91773

Thank you for choosing Westin products
for additional installation assistance please call
Customer Service (800) 793-7846
www.westinautomotive.com

4. Install the light wiring harness per the light manufacturer's instructions.
5. Install the Top Channel as shown in **Figures 7 and 8**. The small edge notches (XT4 only) should face down.

Figure 1 - Code 3 Light Attachment (T-REX Light shown, XT4 Light similar).

NOTE: Steel Backing Plate not used for XT4 applications.

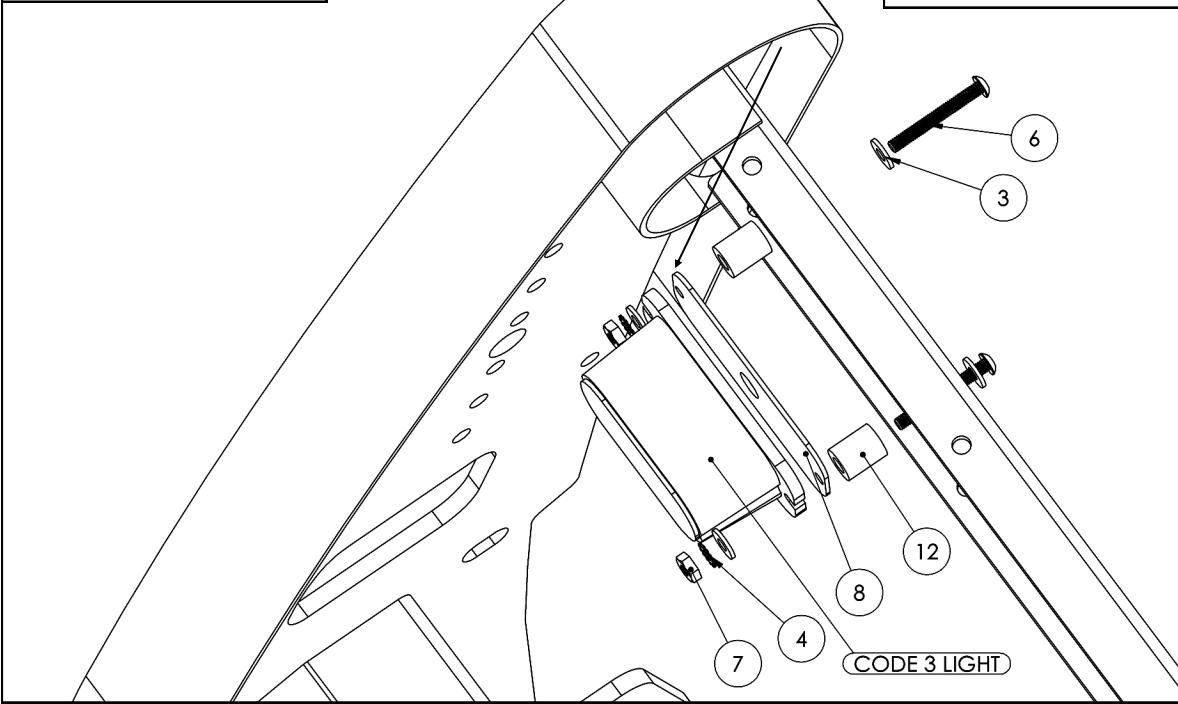
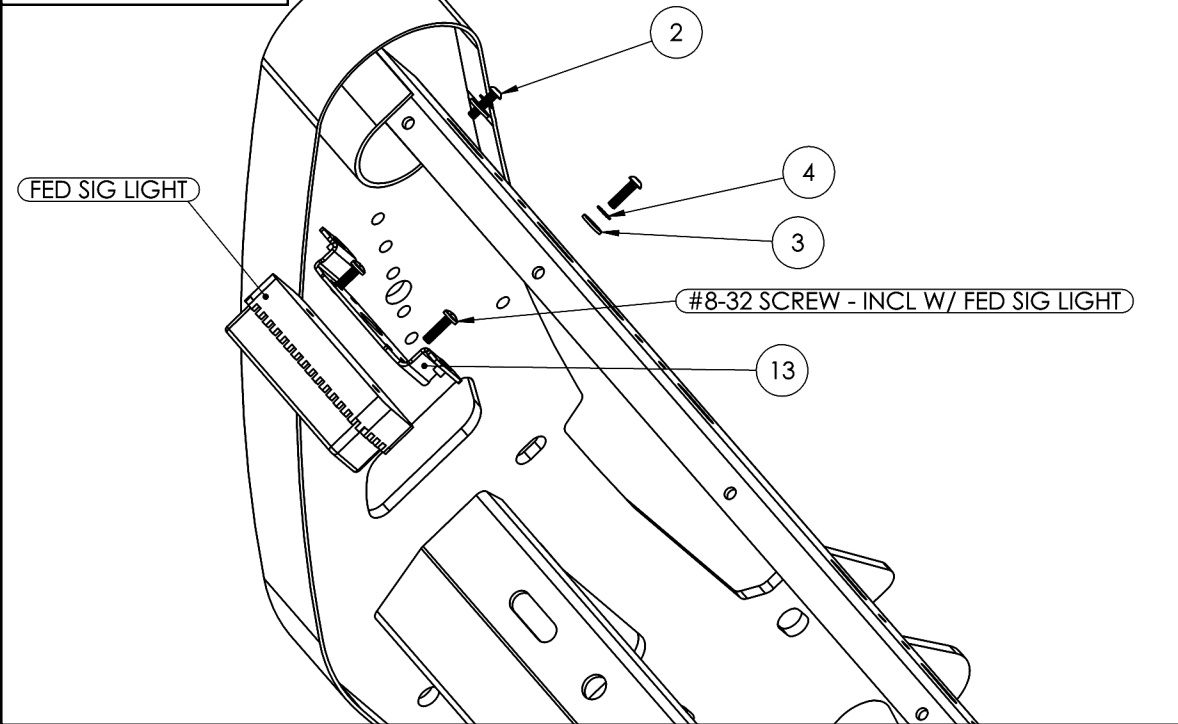


Figure 2 - Federal Signal Light Attachment



Westin Automotive Products, Inc.
320 W. Covina Blvd
San Dimas, Ca. 91773

Thank you for choosing Westin products
for additional installation assistance please call
Customer Service (800) 793-7846
www.westinautomotive.com

Figure 3 - Whelen Light Attachment

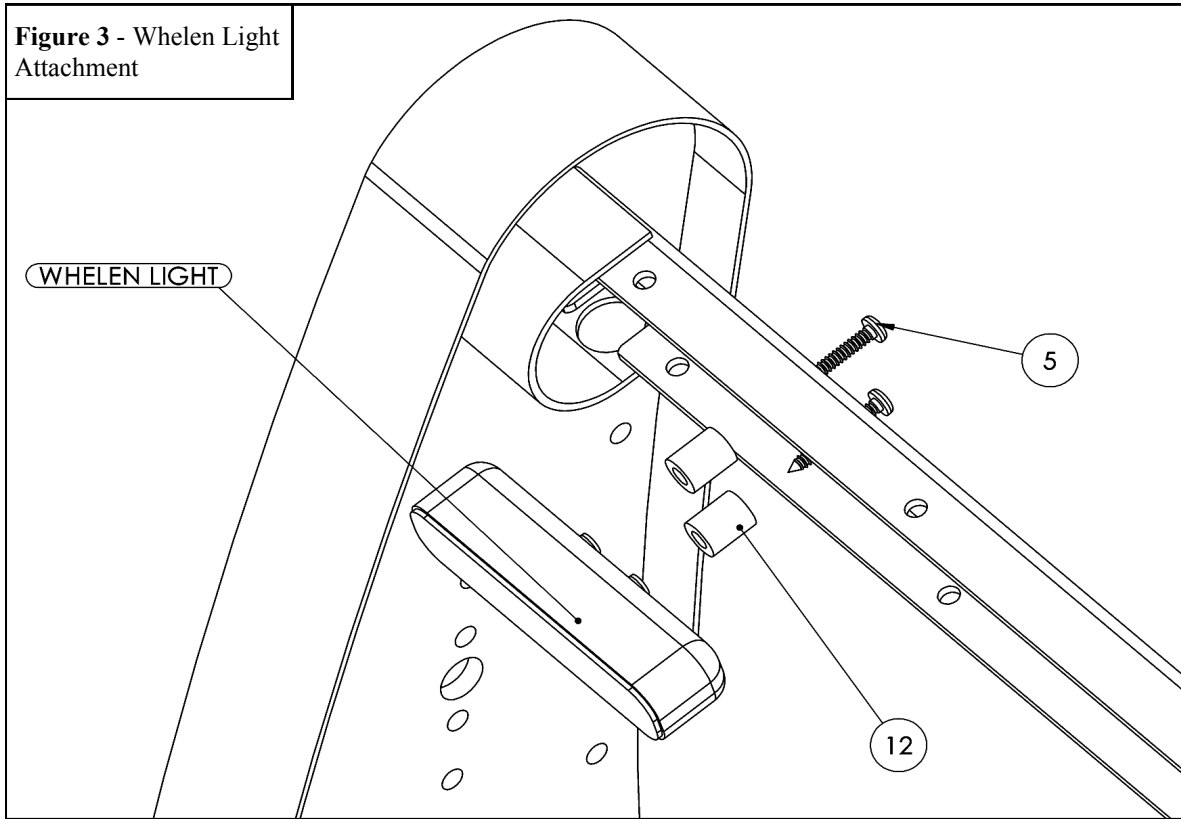
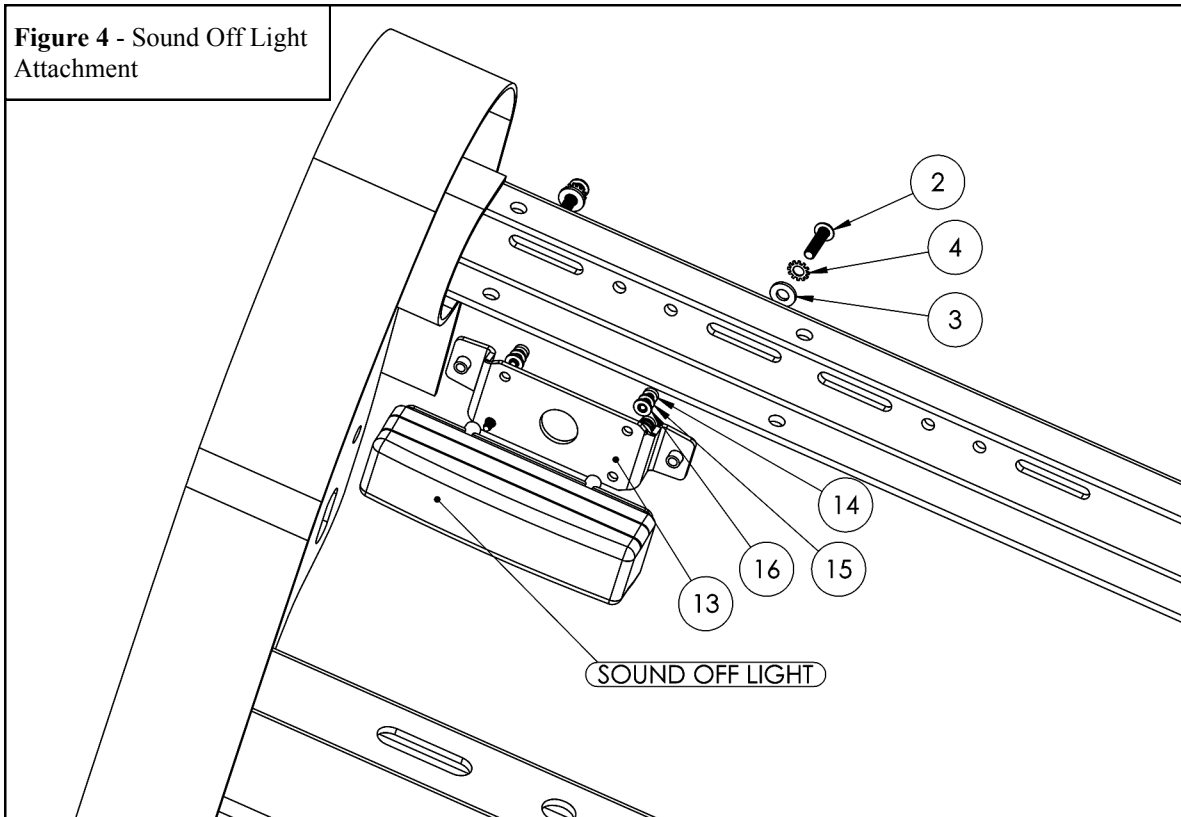
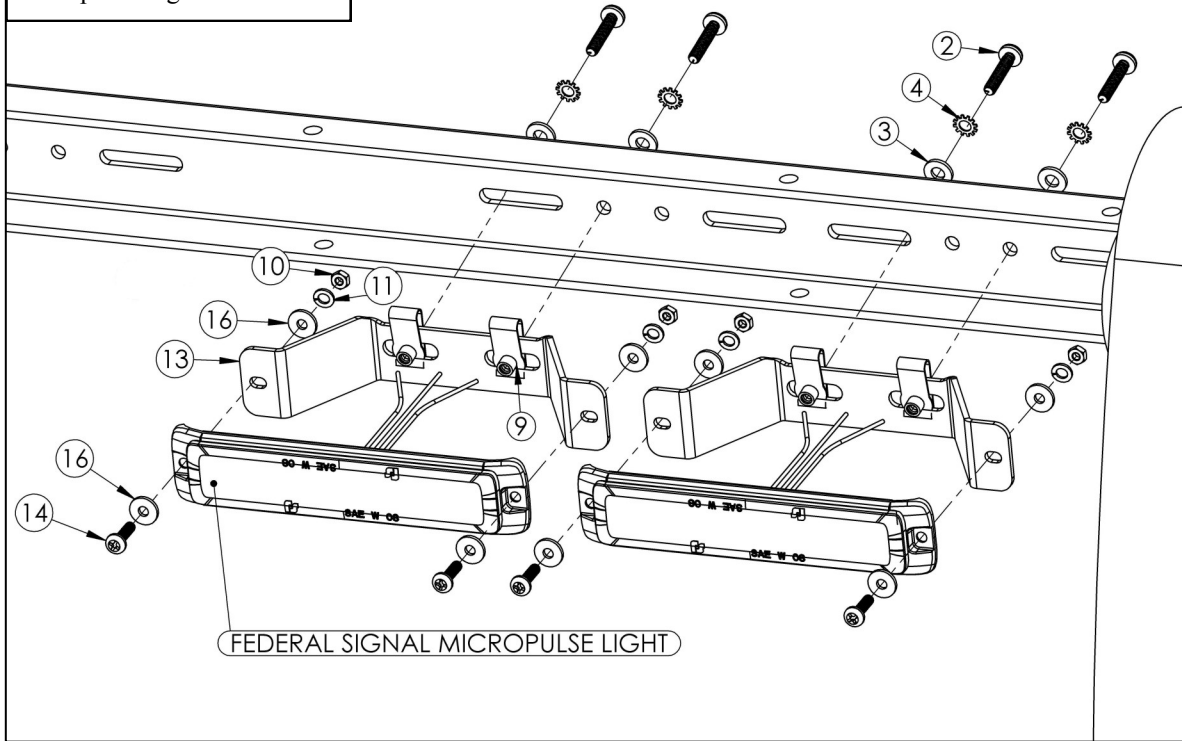


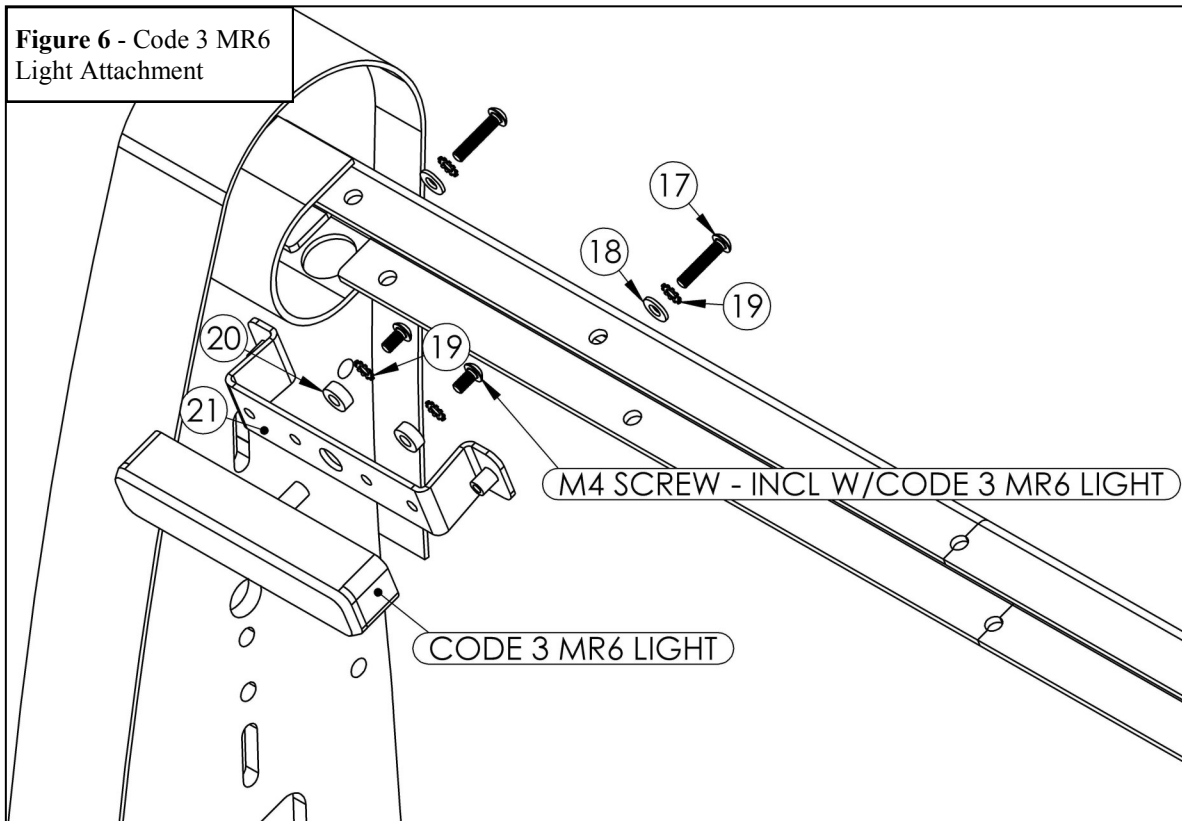
Figure 4 - Sound Off Light Attachment



**Figure 5 - Federal Signal
Micropulse Light Installation**



**Figure 6 - Code 3 MR6
Light Attachment**



Westin Automotive Products, Inc.
320 W. Covina Blvd
San Dimas, Ca. 91773

Thank you for choosing Westin products
for additional installation assistance please call
Customer Service (800) 793-7846

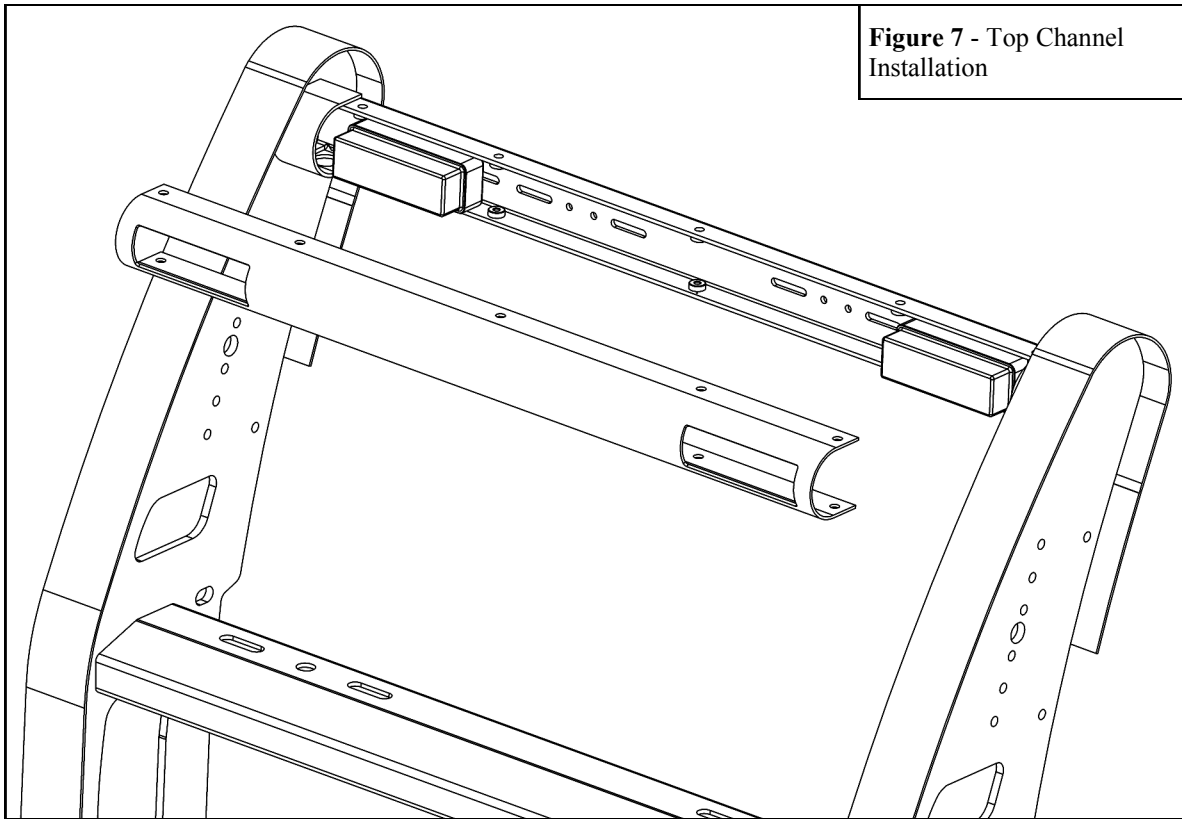
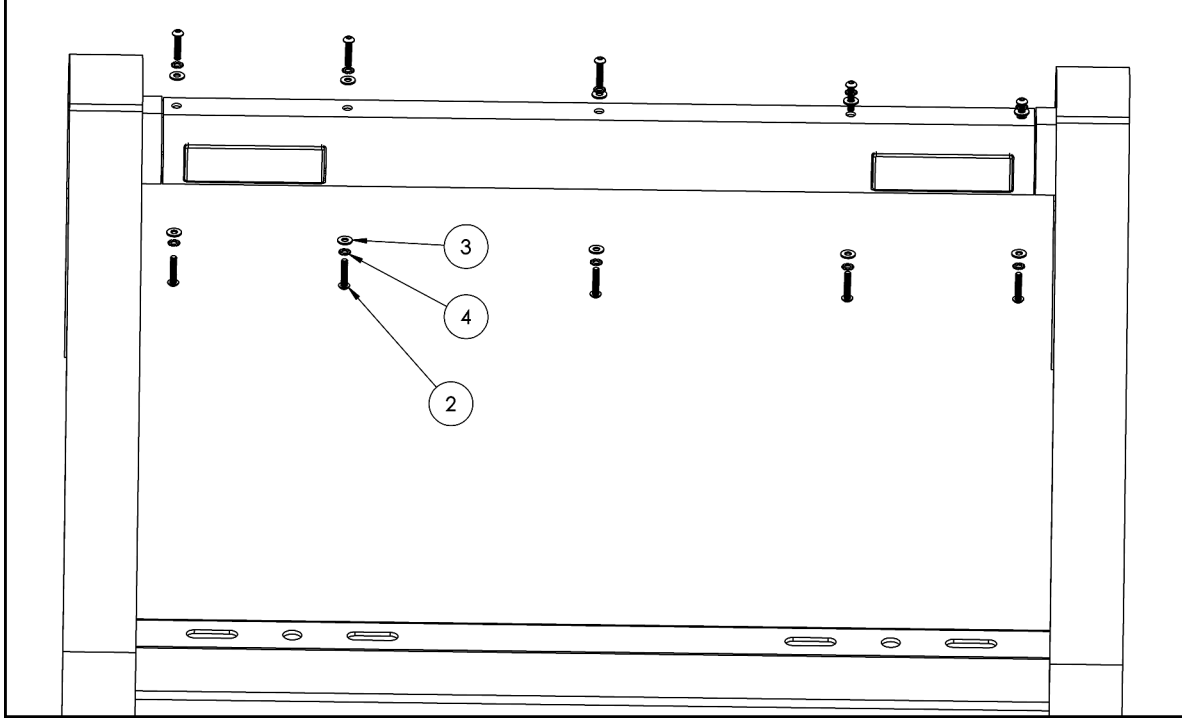


Figure 7 - Top Channel Installation

For Code 3 MR6 Lights use hardware Items 17 - 19 in place of Items 2 - 4.

Figure 8 - Top Channel Hardware Installation



CARE INSTRUCTIONS

- REGULAR WAXING IS RECOMMENDED. DO NOT USE ANY TYPE OF POLISH OR WAX THAT MAY CONTAIN ABRASIVES.
- STAINLESS STEEL PRODUCTS CAN BE CLEANED WITH MILD SOAP AND WATER. STAINLESS STEEL POLISH SHOULD BE USED TO POLISH SMALL SCRATCHES.
- GLOSS BLACK FINISHES SHOULD BE CLEANED WITH MILD SOAP AND WATER.



Westin Automotive Products, Inc.
320 W. Covina Blvd
San Dimas, Ca. 91773

Thank you for choosing Westin products
for additional installation assistance please call
Customer Service (800) 793-7846
www.westinautomotive.com



SIGNATURE OF QUALITY

AUTOMOTIVE PRODUCTS, INC.



WARNING



Failure to follow these instructions could lead to death, personal injury, and / or property damage.

FASTENERS:

All Westin supplied fasteners must be utilized and installed in accordance with the installation instructions and apply torque to the specifications as defined. **DOUBLE CHECK ALL FASTENERS BEFORE INITIAL USE, AND PERIODICALLY IN THE FUTURE TO ENSURE PROPER FUNCTION AND SAFETY.**

DRILLING:

Most Westin products do not require drilling for installation. If drilling is defined as required, use caution when drilling a vehicle. **FAILURE TO REVIEW AN AREA TO BE DRILLED MAY RESULT IN PERSONAL INJURY AND/OR INJURY TO OTHERS AS WELL AS VEHICLE DAMAGE.**

EYE PROTECTION:

ALWAYS WEAR SAFETY GLASSES OR GOGGLES DURING THE INSTALLATION PROCESS TO AVOID PERSONAL INJURY.

MAXIMUM TOWING/CARRYING CAPACITY:

The Westin Receiver Hitches will have a visible tow rating label affixed directly on the product. User should never exceed the vehicle manufacturers maximum tow and weight rating regardless of the capacity of the hitch. **FAILURE TO FOLLOW THESE GUIDELINES WILL VOID THE WESTIN WARRANTY AND MAY RESULT IN PERSONAL INJURY AND/OR INJURY TO OTHERS AS WELL AS VEHICLE DAMAGE.**



Westin Automotive Products, Inc.
320 W. Covina Blvd
San Dimas, Ca. 91773