



INSTALLATION INSTRUCTIONS

SPORTSMAN GRILLE GUARD / HDX GRILLE GUARD

APPLICATION:

2017 Ford F250/350 Super Duty

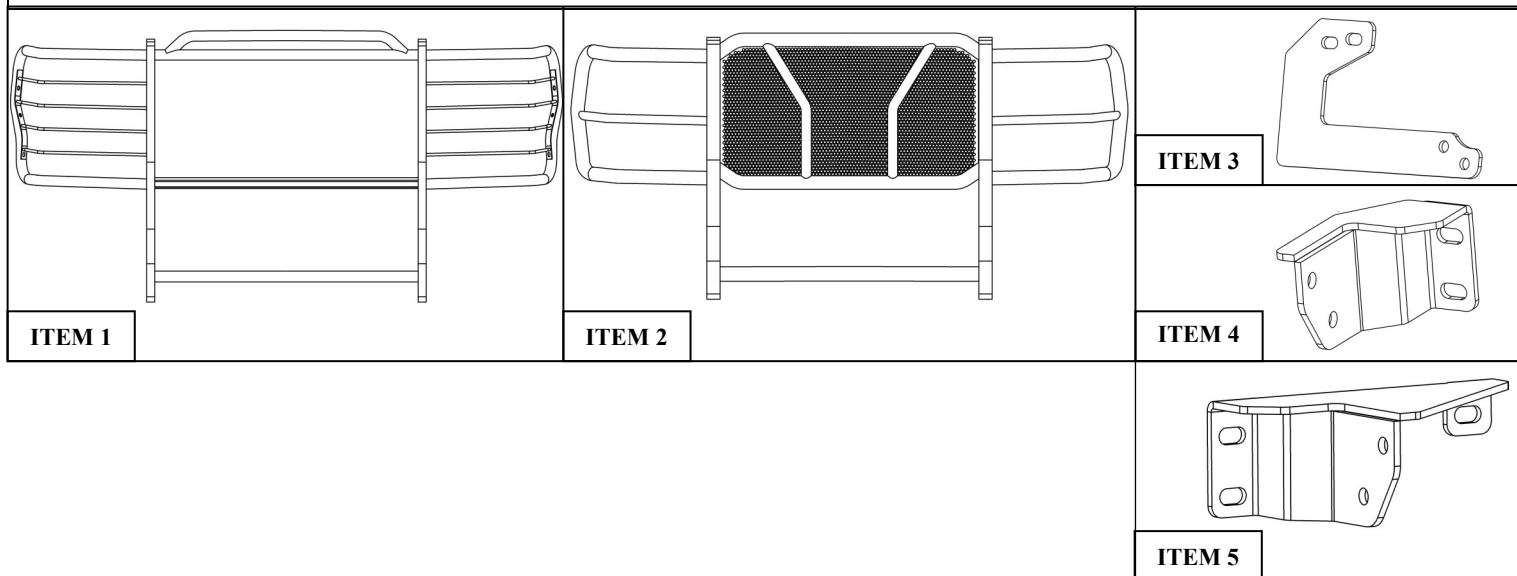
PART NUMBER:

40-3905, 45-3900, 57-3900, 57-3905

AUTOMOTIVE PRODUCTS,

ITEM	QUANTITY	DESCRIPTION	TOOLS NEEDED
1	1	SPORTSMAN GG (INCLUDED WITH KIT 40-3905, 45-3900)	16MM SOCKET
2	1	HDX GRILLE GUARD (INCLUDED WITH KIT 57-3900, 57-3905)	17MM SOCKET
3	2	LOWER SUPPORT BRACKET	18MM SOCKET
4	1	DRIVER SIDE LOWER MOUNT BRACKET	19MM SOCKET
5	1	PASSENGER SIDE LOWER MOUNT BRACKET	FLAT HEAD SCREW DRIVER
6	8	M12 FLAT WASHER (YELLOW ZINC)	
7	8	M12 SPLIT LOCK WASHER (YELLOW ZINC)	ALLEN WRENCH
8	8	M12 HEX NUT (YELLOW ZINC)	SOCKET EXT.
9	8	M12 SOCKET BUTTON HEAD SCREW (BLACK ZINC OR RAW) S/S	RATCHET
10	8	M12 CUP WASHER (BLACK ZINC OR RAW) S/S	TORQUE WRENCH
11	8	M12 SERRATED FLANGE NUT (BLACK ZINC OR RAW) S/S	
12	2	M12 PLASTIC RETAINER	
13	2	M12 FISH WIRE	

ANTI-SEIZE LUBRICANT MUST BE USED ON ALL STAINLESS STEEL FASTENERS TO PREVENT THREAD DAMAGE AND GALLING



PROCEDURE

- Remove contents from box, verify if all parts listed are present and free from damage. Carefully read and understand all instructions before attempting installation. **Failure to identify damage before installation could lead to a rejection of any claim.**
- Starting on either side, use a flathead screw driver to remove the plastic covers located around the factory tow hooks. Repeat for other side. **See Figures 1 and 2.** Repeat for other side.



Westin Automotive Products, Inc.
320 W. Covina Blvd
San Dimas, Ca. 91773

Thank you for choosing Westin products
for additional installation assistance please call
Customer Service (800) 793-7846



Figure 1



Figure 2

- Starting on either side. Locate (1) Lower Mount Bracket (Item 4/5) and loosely install onto the factory bolts under the previously removed plastic covers using (4) M12 flat washers, (4) M12 split lock washers, and (4) M12 hex nuts. See Figures 3 and 4.

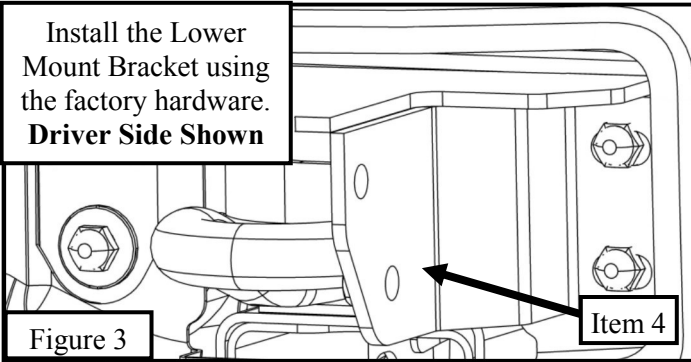


Figure 3

Item 4

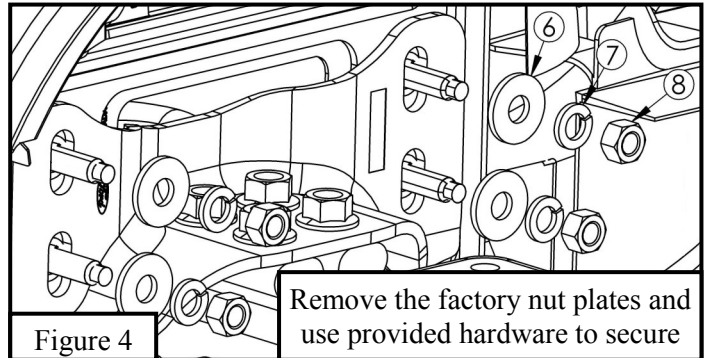


Figure 4

Remove the factory nut plates and use provided hardware to secure

- From underneath the vehicle, remove the factory bracket while making sure to keep the factory bolt plate from falling into the frame channel. Refer to Figure 5. Note: If factory M12 bolt plate falls into vehicle frame use the provided M12 fish wire to position back into its original location. Use the provided M12 plastic retainer to prevent the factory bolt plate from falling into vehicle frame. See Figure 6.
- On the lower plastic bumper trim (2) slots of approximately 2-1/8" x 1/4". From the center of the vehicle the each slot is approximately 19-7/8" from the outer edge of the slot. See Figure 7.

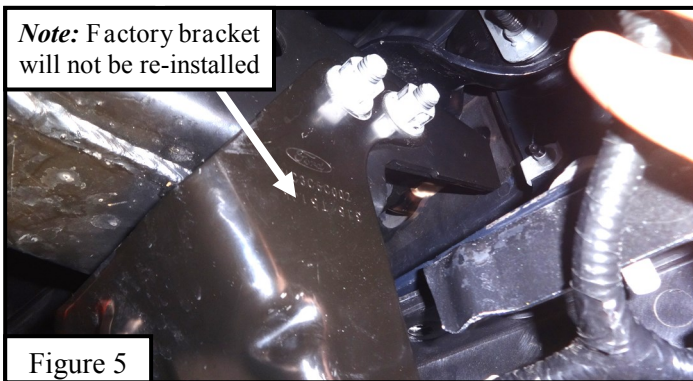


Figure 5

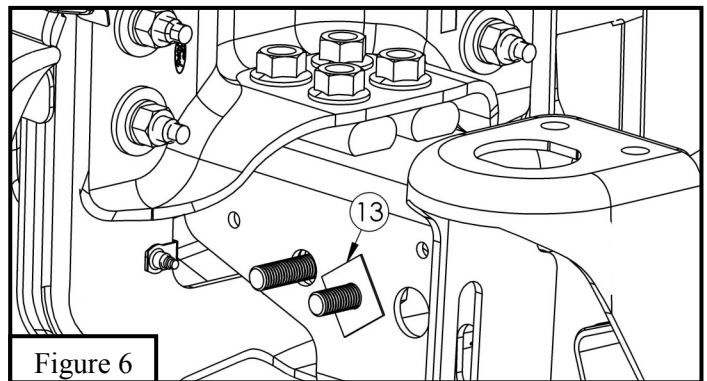


Figure 6

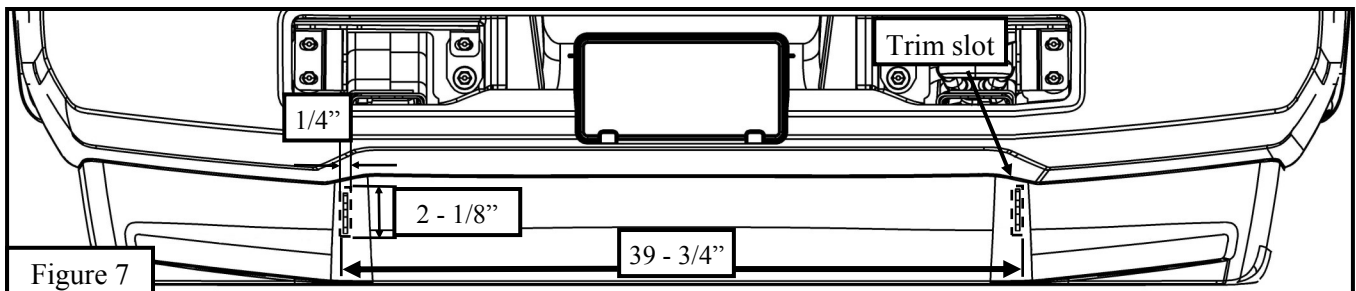


Figure 7



Westin Automotive Products, Inc.
320 W. Covina Blvd
San Dimas, Ca. 91773

Thank you for choosing Westin products
for additional installation assistance please call
Customer Service (800) 793-7846
www.westinautomotive.com

6. Locate (1) Lower Support Bracket (Item 3) and insert through the newly trimmed slots and loosely secure onto vehicle frame using the factory hardware. **See Figure 8.**
7. Repeat **Steps 3 - 6** for other side.
8. Locate the Sportsman/HDX Grille Guard and with assistance align it with the previous installed brackets. Loosely secure using (8) M12 cup washers, (8) M12 serrated flange nuts and (8) M12 hex socket button head screw. **See Figure 9.**
9. Align and adjust the grille guard and brackets as necessary and then torque all: M12 hardware to 50-55 ft-lbs.

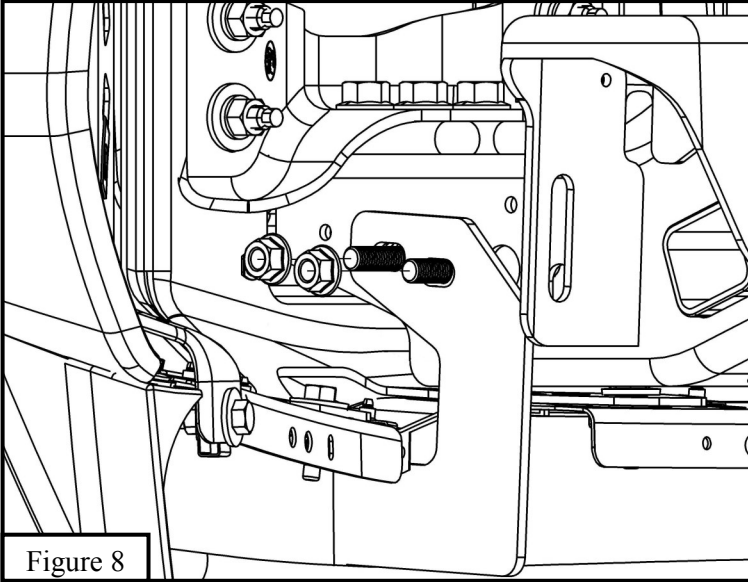


Figure 8

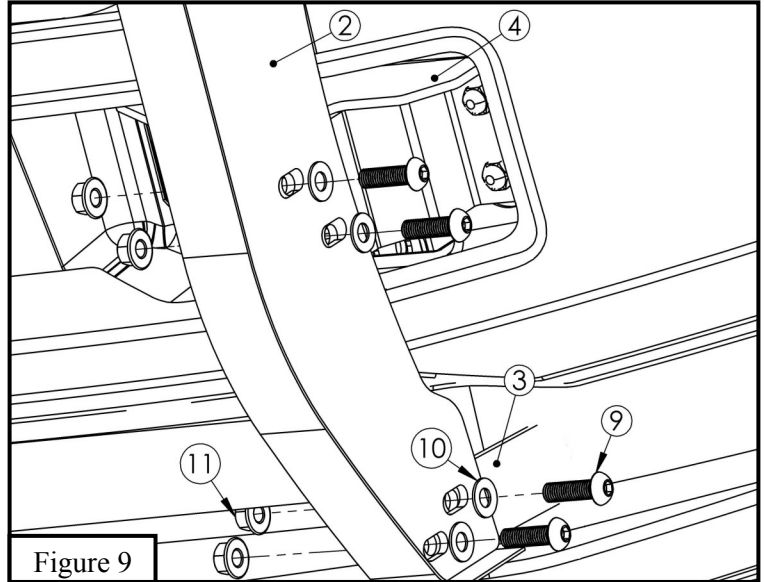


Figure 9

INSTALLATION COMPLETE

Sportsman Grille Guard Shown



HDX Grille Guard Shown



CARE INSTRUCTIONS

- REGULAR WAXING IS RECOMMENDED. DO NOT USE ANY TYPE OF POLISH OR WAX THAT MAY CONTAIN ABRASIVES.
- STAINLESS STEEL PRODUCTS CAN BE CLEANED WITH MILD SOAP AND WATER. STAINLESS STEEL POLISH SHOULD BE USED TO POLISH SMALL SCRATCHES.
- GLOSS BLACK FINISHES SHOULD BE CLEANED WITH MILD SOAP AND WATER.



Westin Automotive Products, Inc.
320 W. Covina Blvd
San Dimas, Ca. 91773

Thank you for choosing Westin products
for additional installation assistance please call
Customer Service (800) 793-7846
www.westinautomotive.com

Westin

SIGNATURE OF QUALITY

AUTOMOTIVE PRODUCTS, INC.



WARNING



Failure to follow these instructions could lead to death, personal injury, and / or property damage.

FASTENERS:

All Westin supplied fasteners must be utilized and installed in accordance with the installation instructions and apply torque to the specifications as defined. **DOUBLE CHECK ALL FASTENERS BEFORE INITIAL USE, AND PERIODICALLY IN THE FUTURE TO ENSURE PROPER FUNCTION AND SAFETY.**

DRILLING:

Most Westin products do not require drilling for installation. If drilling is defined as required, use caution when drilling a vehicle. **FAILURE TO REVIEW AN AREA TO BE DRILLED MAY RESULT IN PERSONAL INJURY AND/OR INJURY TO OTHERS AS WELL AS VEHICLE DAMAGE.**

EYE PROTECTION:

ALWAYS WEAR SAFETY GLASSES OR GOGGLES DURING THE INSTALLATION PROCESS TO AVOID PERSONAL INJURY.

MAXIMUM TOWING/CARRYING CAPACITY:

The Westin Receiver Hitches will have a visible tow rating label affixed directly on the product. User should never exceed the vehicle manufacturers maximum tow and weight rating regardless of the capacity of the hitch. **FAILURE TO FOLLOW THESE GUIDELINES WILL VOID THE WESTIN WARRANTY AND MAY RESULT IN PERSONAL INJURY AND/OR INJURY TO OTHERS AS WELL AS VEHICLE DAMAGE.**

Westin
SIGNATURE OF QUALITY

Westin Automotive Products, Inc.
320 W. Covina Blvd
San Dimas, Ca. 91773