



INSTRUCTIONS—INSTRUCCIONES—CONSIGNES

APPLICATION: UNIVERSAL LADDER RACK
APP PART # 57-9003, 57-9005, 57-9013*, 57-9015*

AUTOMOTIVE PRODUCTS, INC.

ITEM	QUANTITY*	DESCRIPTION	TOOLS NEEDED
1	1	LADDER RACK	13MM SOCKET
2	1	LOWER MOUNTING BRACKET	13MM WRENCH
3	1	UPPER MOUNTING BRACKET	DRILL
4	4	RIVET-NUTS	7/16" DRILL BIT
5	4	M8 BUTTON HEAD BOLTS	RIVET NUT TOOL (INCLUDED)
6	4	M8 X 24MM OD FLAT WASHERS	ALLEN KEY (INCLUDED)
7	4	M8 X 16MM OD FLAT WASHERS	
8	4	M8 LOCK WASHERS	
9	4	M8 HEX NUTS	
10	4	M8 SHORT BUTTON HEAD BOLTS	
11	1	M8 HEX HEAD BOLT	
12	1	NYLON STRAP	

ANTI-SEIZE LUBRICANT MUST BE USED ON ALL STAINLESS STEEL FASTENERS TO PREVENT THREAD DAMAGE AND GALLING

- Remove contents from box, verify if all parts listed are present and free from damage. Carefully read and understand all instructions before attempting installation.
- Loosely assemble the ladder rack. Fig 1.
- Position the rack assembly in the intended installation location. Note: Ensure that the bed rail is double walled where you intend to install the ladder rack. Fig 2. The recommended bracket orientation for the Ford Super Duty and F-150 is shown in Fig 8.
- Clamp the ladder rack assembly to the bed of the vehicle so that the ladder rack is square with the bed of the vehicle. Fig 3.
- Check for any interference with the frame, fuel lines, electrical wiring, etc. and mark the four drill locations indicated in Figs 3&4.
- Remove the ladder rack and carefully drill the marked holes out to 7/16".
- Install the upper and lower mounting bracket as shown in figures 5&6. If there is no rear access to the drilled holes follow step 7a to install rivet-nuts.
7a: Rivet nut installation method: A. Assemble the rivet nut install tool as shown in Fig 7. B. Insert the assembly into the first hole drilled in the sheet metal. C. Holding the tool handle and assembly against the sheet metal tighten the hex bolt until the insert is fully expanded in the hole. Note: Do not over tighten or pull out may occur. D. Repeat for the remaining holes and attach the mounting brackets.
- Loosely install the rack and determine the overall desired height. 3" above the roof of the cab is recommended. The rear rack should be slightly lower than the front rack.
- Remove the upright and mark how much height you would like to remove from the bottom. Cut straight along the mark using a hacksaw, band saw or metal saw. Apply some RTV silicone to the cut along with the supplied plastic end cap and reinstall the upright.
- Align and adjust the ladder rack as needed and fully tighten all hardware at this time. Torque body fasteners to 12-15ftlbs and button head set screws to 10-12ftlbs.

*Quantities are doubled for 57-9013 AND 57-9015

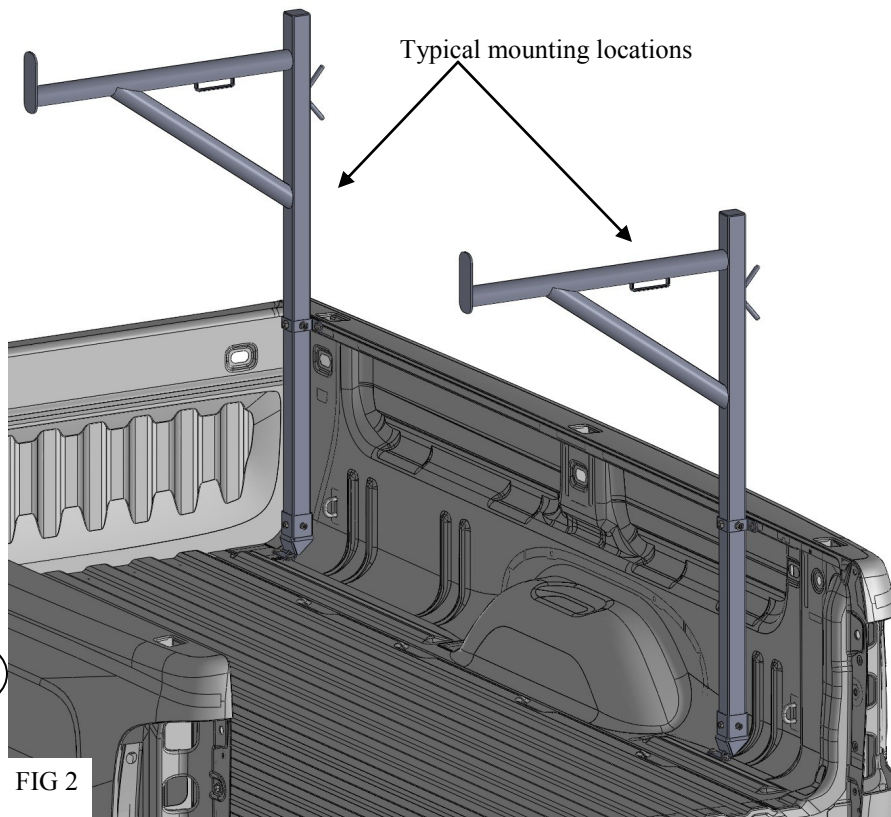
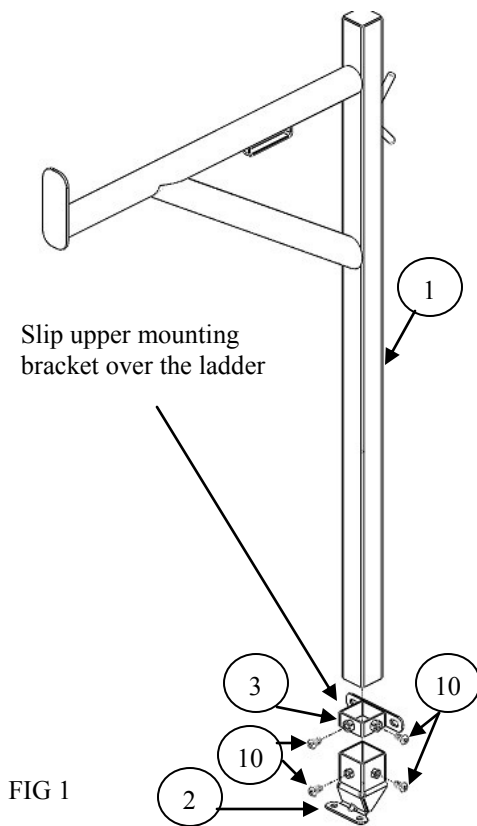
CARE INSTRUCTIONS

- REGULAR WAXING IS RECOMMENDED. DO NOT USE ANY TYPE OF POLISH OR WAX THAT MAY CONTAIN ABRASIVES
- GLOSS FINISHES SHOULD BE CLEANED WITH MILD SOAP AND WATER



Westin Automotive Products, Inc.
320 Covina Blvd
San Dimas, Ca. 91773

Thank You for choosing Westin products
For Additional installation assistance please call
Customer service (800) 793-7846
www.westinautomotive.com



Westin Automotive Products, Inc.
320 Covina Blvd
San Dimas, Ca. 91773

10/4/12

P.N.: 75-0151-RevC

ECO #: W12-0996

PG-2

Thank You for choosing Westin products
For Additional installation assistance please call
Customer service (800) 793-7846
www.westinautomotive.com

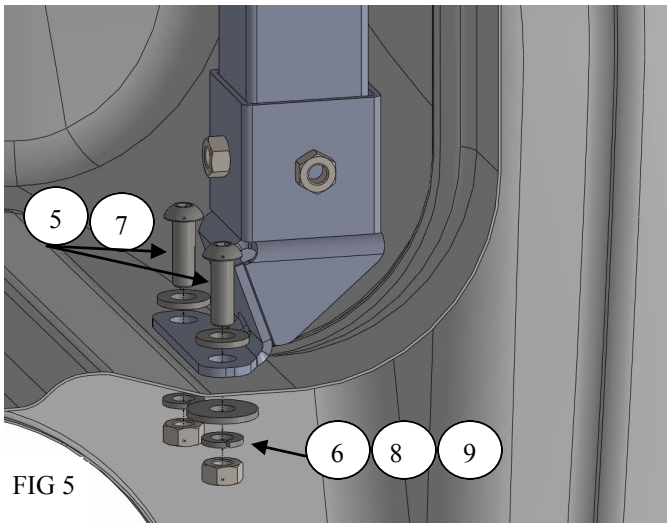


FIG 5

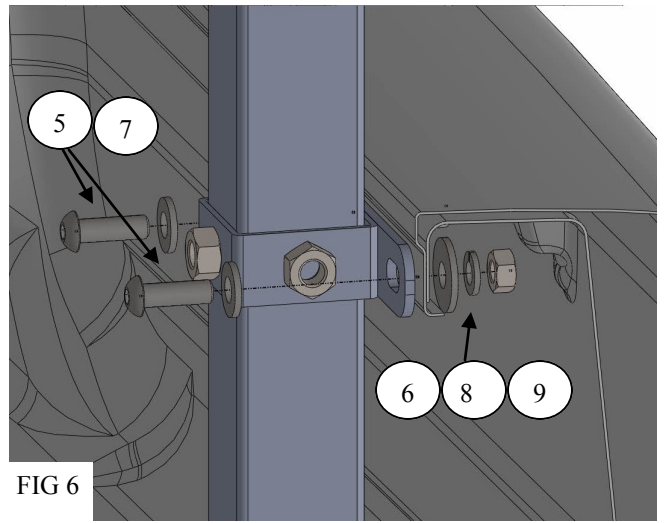


FIG 6



FIG 7

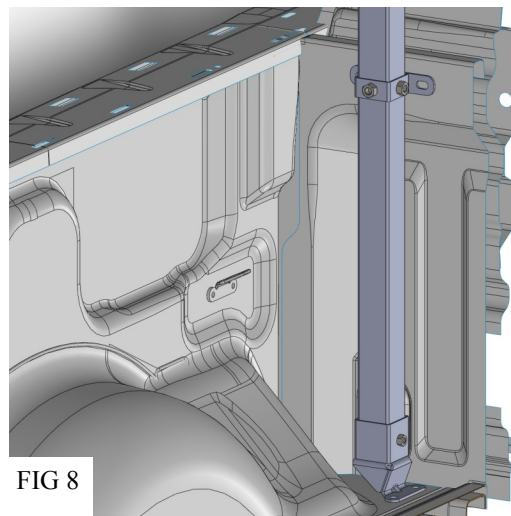


FIG 8



Westin Automotive Products, Inc.
320 Covina Blvd
San Dimas, Ca. 91773

Thank You for choosing Westin products
For Additional installation assistance please call
Customer service (800) 793-7846
www.westinautomotive.com



WARNING

Carefully read and understand all **WARNINGS, NOTES and INSTRUCTIONS** before attempting installation

WARNING

Maximum Load: 250lbs. distributed evenly between two ladder racks.

WARNING

Ladders must be secured per ANSI standard A 14.2-1990 paragraph 8.4.4. Structural failure of a ladder may occur as a result of being improperly secured leading to personal injury or property damage.

WARNING

Prior to drilling check behind the vehicles sheet metal to ensure there will be no interference with the frame, fuel tank, fuel filler neck, fuel lines, brake lines, electrical wiring, etc.

WARNING

Proper safety measures must be taken while drilling or cutting. Always wear protective eye wear.

WARNING

This product is only intended to transport ladders, lumber, pipe, conduit and other similar materials. It is the responsibility of the use to properly secure these to the rack for transportation. The supplied nylon strap is only to be used as a supplementary method of retention.

NOTE

Vehicles equipped with bed liners may require drilling or trimming of the liner for proper installation.

NOTE

For additional installation assistance please call customer service (800) 793-7846



Westin Automotive Products, Inc.
320 Covina Blvd
San Dimas, Ca. 91773

Thank You for choosing Westin products
For Additional installation assistance please call
Customer service (800) 793-7846
www.westinautomotive.com