



**17351 Installation Instructions  
Phantom/Stealth Tank - EFI System to Complete  
Return Style for Engines with OEM "Returnless" Fuel Rail**

**CAUTION:**

Installation of this product requires detailed knowledge of automotive systems and repair procedures. We recommend that this installation be carried out by a qualified automotive technician.

Installation of this product requires handling of gasoline. Ensure you are working in a well ventilated area with an approved fire extinguisher nearby. Extinguish all open flames, prohibit smoking and eliminate all sources of ignition in the area of the vehicle before proceeding with the installation.

When installing this product, wear eye goggles and other safety apparel as needed to protect yourself from debris and sprayed gasoline.

**WARNING!**

The fuel system is under pressure. Do not open the fuel system until the pressure has been relieved. Refer to the appropriate vehicle service manual for the procedure and precautions for relieving the fuel system pressure.

Aeromotive system components are not legal for sale or use on emission controlled motor vehicles.

**This kit contains the following parts:**

1ea p/n 12347 Filter Assembly, 10-micron	4ea p/n 15605 AN-08 ORB to AN-06 flare
1ea p/n 12701 Filter Bracket	3ea p/n 15606 AN-06 ORB to AN-06 flare
1ea p/n 13303 EFI Fuel Pressure Regulator	1ea p/n 15633 Gauge, 0-100 psi
1ea p/n 15118 3/8 Quick Connect to AN-08 ORB	

The enclosed Aeromotive Fuel System Kit is designed to give the end user a basic EFI fuel system, less the fuel pump, the AN fuel lines and hose-ends, and fuel rails. It is intended to support a return style EFI application utilizing OEM "Returnless" fuel rails. The 3/8" Quick-Connect and AN-06 adapter included is suitable to adapt the inlet on most OEM fuel rails to an AN-06 fuel line connection. This is the ideal Phantom or Stealth Tank System Kit to enable transplanting many late-model domestic and some import engines with OEM Returnless Fuel rails, including many of the popular LS series GM and Mod-Motor series Ford engines, whether stock takeout or crate motors.

***A return line of AN-06 or 3/8" equivalent diameter must be installed from the regulator back to the tank***, after which base fuel pressure will be adjustable in a range between 35-75 PSI. The included regulator is Aeromotive's newest design, which is fully serviceable and convertible, while providing a standard 1:1 ratio vacuum/boost reference, making the system suitable for all EFI engines, both Naturally Aspirated and Forced Induction.

This installation instruction provides a diagram that outlines the overall layout of the fuel system intended with the enclosed components. The system diagram illustrates the components used, their locations relative to each other and in relation to fuel flow, including general fuel line routing and the AN fuel line sizes required. This is a system overview. Please refer to each individual component's installation instructions for detailed installation help with that particular component. Please contact Aeromotive for any recommendations on fuel line or additional fitting requirements.

Failure to follow the above recommendations may result in fuel leakage, bursting of the fuel lines, poor vehicle performance and/or decreased fuel pump life! Improper installation will void all warranties for this product

**Aeromotive Commonly Used Port Fittings:**

15605 - ORB-08 to AN-06 Flare  
15606 - ORB-06 to AN-06 Flare  
15607 - ORB-08 to AN-08 Flare  
15649 - ORB-06 to AN-08 Flare  
15609 - ORB-10 to AN-06 Flare  
15610 - ORB-10 to AN-08 Flare  
15615 - 3/8-NPT to AN-06 Flare

**Aeromotive Commonly Used Hose-Ends:**

15650 - AN-06 Straight Hose End  
15651 - AN-06 45-Deg. Hose End  
15652 - AN-06 90-Deg. Hose End  
15653 - AN-08 Straight Hose End  
15654 - AN-08 45-Deg. Hose End  
15655 - AN-08 90-Deg. Hose End  
15663 - AN-08 180-Deg. Hose End

**Aeromotive Commonly Used SS Braided Fuel Line:**

15701 - AN-06 4' Length  
15702 - AN-06 8' Length  
15703 - AN-06 12' Length  
15704 - AN-08 4' Length  
15705 - AN-08 8' Length  
15706 - AN-08 12' Length  
15711 - AN-08 16' Length

**Aeromotive Replacement Element Part Numbers:**

12601 – 10-M Fabric Element (gas)  
12650 – 10-M MicroGlass Element (gas, alcohol, E85)  
12635 – 40-M SS Element (gas, alcohol, E85)  
12604 – 100-m SS Element (gas, alcohol, E85)  
12001 - Filter O-Ring, 10-Pack

## **General Installation Cautions and Guidelines:**

- **CAUTION:** Insure all components are mounted, and fuel lines are routed through the chassis per the diagram, and in a manner to provide maximum clearance from any exhaust system components, especially exhaust headers, turbo charger down-pipes, mufflers and tail-pipes, etc.
- **CAUTION:** Insure all components are mounted, and fuel lines are routed through the chassis per the diagram, and in a manner to safely clear any suspension components in the vehicle.
- **CAUTION:** Insure all components are mounted, and all fuel lines are routed, safely through the chassis, per the diagram, and in a manner to safely clear the bell-housing, transmission, and or drive-line.
- **CAUTION:** Pressurize the fuel system and thoroughly check for fuel leaks, repairing any leaks found first, before cranking and/or starting the engine. Once the engine is running, again carefully check for fuel leaks, shutting down the vehicle immediately if necessary to perform any required repairs.
- **GUIDELINE:** Mount the fuel pressure regulator in the engine bay, as close to the fuel rail/carb as possible.
- **GUIDELINE:** Acquire and install quality AN style hose and hose-ends. Teflon or PTFE based fuel line, though more costly, offers both long service life and resistance to permeation or vapor walk (where fuel vapors can “walk” through the line and contribute fuel smell to the area around where the car is stored).

# STEALTH 340 OEM Fuel Rail Fuel Injected

\*flywheel

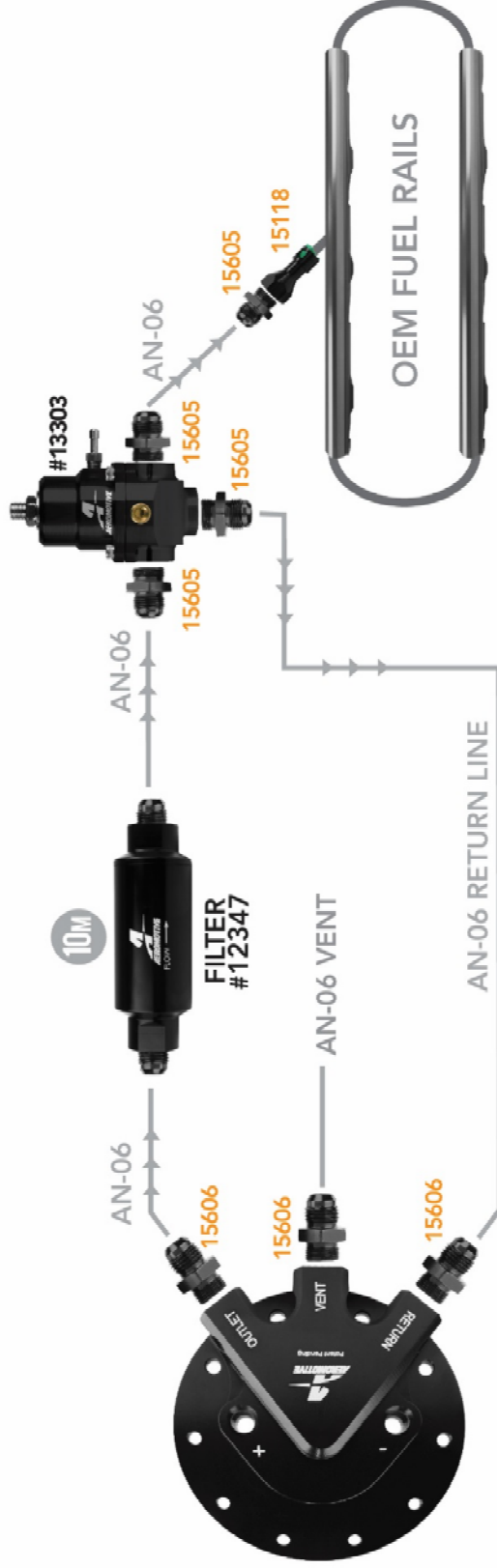
Naturally Aspirated

Forced Induction

GAS

850hp

700hp





**WARNING:** This product can expose you to chemicals, including chromium, which is known to the State of California to cause cancer or birth defects or other reproductive harm. For more information, visit: [www.p65Warnings.ca.gov](http://www.p65Warnings.ca.gov)

### ***AEROMOTIVE, INC. LIMITED WARRANTY***

This Aeromotive Product, with proof of purchase dated on or after January 1, 2003, is warranted to be free from defects in materials and workmanship for a period of one year from the original date of purchase. No warranty claim will be valid without authentic, dated proof of purchase.

This warranty is to the original retail purchaser and none other and is available directly from Aeromotive and not through any point of distribution or purchase.

If a defect is suspected, the retail purchaser must contact Aeromotive directly to discuss the problem, possible solutions and obtain a Return Goods Authorization (RGA), if deemed necessary by the company. Please call 913-647-7300 and dial option 3 for the technical service dept. All returns must be shipped freight pre-paid to the company and with valid RGA before they will be processed.

Aeromotive will examine any product returned with the proper authorization to determine if the failure resulted from a defect or from abuse, improper installation, misapplication or alteration. Aeromotive will then, at it's sole discretion, return, repair or replace the product.

If any Aeromotive product is determined defective, buyer's exclusive remedy is limited in value to the sale price of the good. In no event shall Aeromotive be liable for incidental or consequential damages.

Aeromotive expressly retains the right to make changes and improvements in any product it manufactures and sells at any time. These changes and improvements may be made without notice at any time and without any obligation to change the catalogs or printed materials.

Aeromotive expressly retains the right to discontinue at any time and without notice any Aeromotive product that it manufactures or sells.

This warranty is limited and expressly limits any implied warranty to one year from the date of the original retail purchase on all Aeromotive products.

No person, party or corporate entity other than Aeromotive shall have the right to: determine whether or not this Limited Warranty is applicable to any Aeromotive product, authorize any action whatsoever under the terms and conditions of this Limited Warranty, assume any obligation or liability of any nature whatsoever on behalf of Aeromotive under the terms and conditions of this Limited Warranty.

This Limited Warranty covers only the product itself and not the cost of installation or removal.

This Limited Warranty is in lieu of and expressly excludes any and all other warranties, expressed or implied. This Limited Warranty gives you specific legal rights, and you may also have other rights which vary from state to state.