

INSTALLATION INSTRUCTIONS

B-FORCE SINGLE ROW LIGHT BAR, XTREME LIGHT BAR

APPLICATION:

UNIVERSAL

PART NUMBER:

09-3000, 09-12211, 09-12270 SERIES



ITEM	QUANTITY	DESCRIPTION	TOOLS NEEDED
1	1	LED LIGHT BAR	5MM ALLEN KEY
2	2	LIGHT BAR SIDE MOUNT (included w/ 09-3000)	6MM ALLEN KEY
3	1	SMALL LIGHT BAR SIDE MOUNT (RIGHT) (Included w/ 09-12270)	10MM WRENCH
4	1	SMALL LIGHT BAR SIDE MOUNT (LEFT) (Included w/ 09-12270)	13MM WRENCH
5	2	M8 x 45mm SOCKET HEAD CAP SCREW (included w/ 09-3000)	SAFETY GOGGLES
6	2	M8 x 25mm SOCKET HEAD CAP SCREW (Included w/ 09-3000)	11/32" DRILL BIT
7	2	M8 x 16mm SOCKET HEAD CAP SCREW (Included w/ 09-12270)	DRILL
8	4	M8 FLAT WASHER (Included w/ 09-3000)	PAINTERS TAPE
9	4	M8 LOCK WASHER (included w/ 09-3000)	PUNCH
10	2	M8 HEX NUT (included w/ 09-3000)	
11	1	PIGTAIL CONNECTOR	

Note: Wiring harnesses sold separately as PN 09-12000-1, 09-12000-5, 09-12000-8.

ANTI-SEIZE LUBRICANT MUST BE USED ON ALL STAINLESS STEEL FASTENERS TO PREVENT THREAD DAMAGE AND GALLING

CAUTION:

1. Check with state and local authorities for laws governing usage and proper mounting of auxiliary lamps.
2. Keep heat sink clean and exposed to maintain air-flow.

PROCEDURE

1. Remove contents from box, verify if all parts listed are present and free from damage. Carefully read and understand all instructions before attempting installation.
Failure to identify damage before installation could lead to a rejection of any claim.

See **Figure 1 & 2** for reference.

2. Attach the Light Bar side mounts (Item 2) or the small light bar side mounts (Item 3 & 4 only for 09-12270 light) to each side of the LED Light Bar (Item 1). Using (2) M8 socket head bolts (Item 6) if using Item 2, and (Item 7) if using Item 3 & 4, (2) M8 lock washers (Item 9) and (2) M8 flat washers (Item 8). **Note:** Do not fully tighten at this time.
3. Find an appropriate mounting surface and apply painters tape to help prevent painted surfaces from scratching. Carefully place the LED Light Bar with mounts on the surface. Use a marker to draw an outline on the surface around the light bar mounts and remove the LED Light Bar from the mounts. Reposition the mounts on the outline and place a mark with a punch through the holes on the bottom of the light bar mounts.
4. Using a drill and an 11/32" drill bit, drill through the previously marked holes. **Note:** When drilling ensure that there are no electrical wires on the other side of drilling surface.
5. Install the LED Light Bar on the light bar mounts using the same hardware as previously mentioned in **Step 1**. Remove the painters tape and align the mounts with the drilled holes.

- Secure mounts to surface using, (2) M8 socket head bolts (Item 5), (2) M8 flat washers (Item 8), (2) M8 lock washers (Item 9) and (2) M8 hex nuts (Item 10). **Align the light to a desired position and torque all M8 hardware to 15 ft-lbs.**

Note:

For alternative methods of mounting please refer to PN 09-2000, 09-2005, 09-2007 (Sold Separately).

Optional wiring harnesses sold separately as PN 09-12000-1, 09-12000-5, 09-12000-8.

WIRING INSTRUCTIONS

CAUTION:

- Disconnect ground connection from battery (-) to avoid accidental short circuits before attempting to connect electrical wires.
- When running wires, avoid areas of excessive heat, vibration, pinch or rotation when securing harness to vehicle.
- Always use a fused (+) positive supply source.
- This light becomes hot under continuous use. Do not remove or touch the casting for at least 30 minutes after the lamp has been turned off.

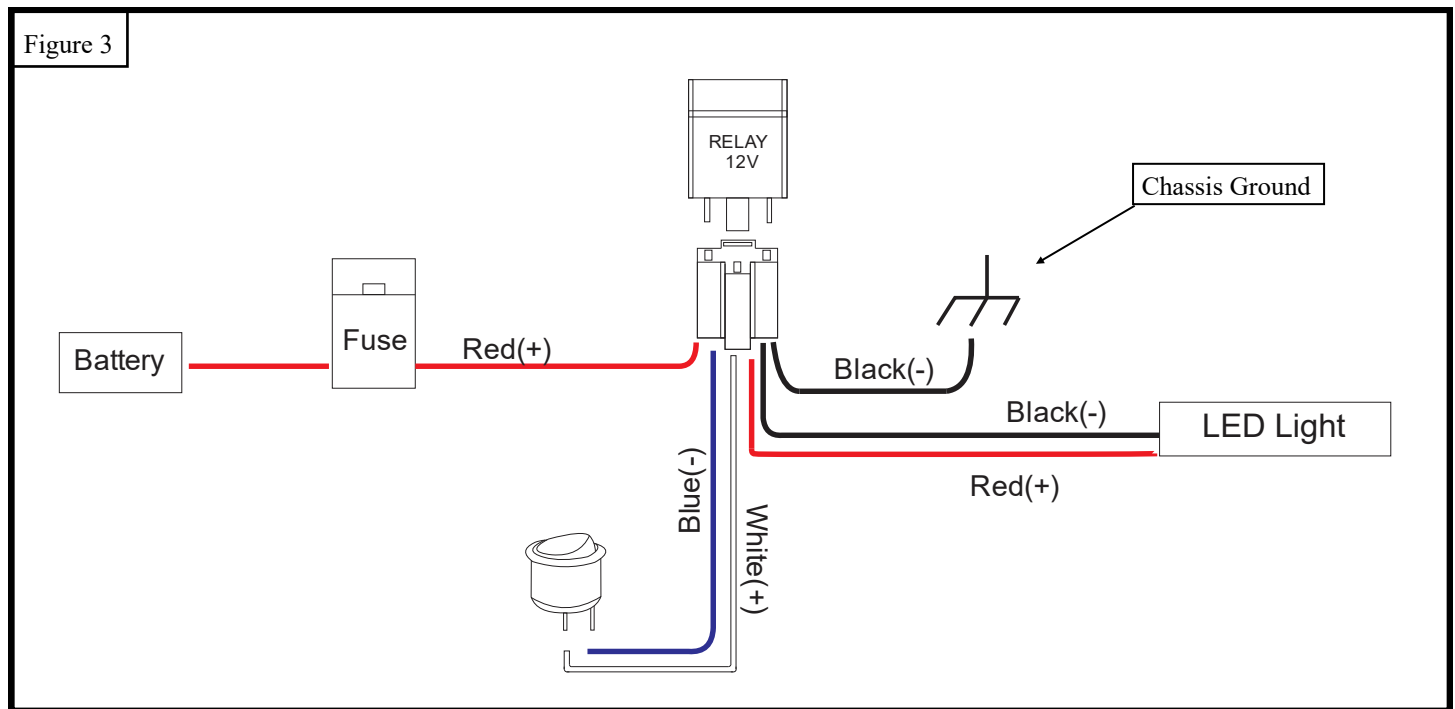
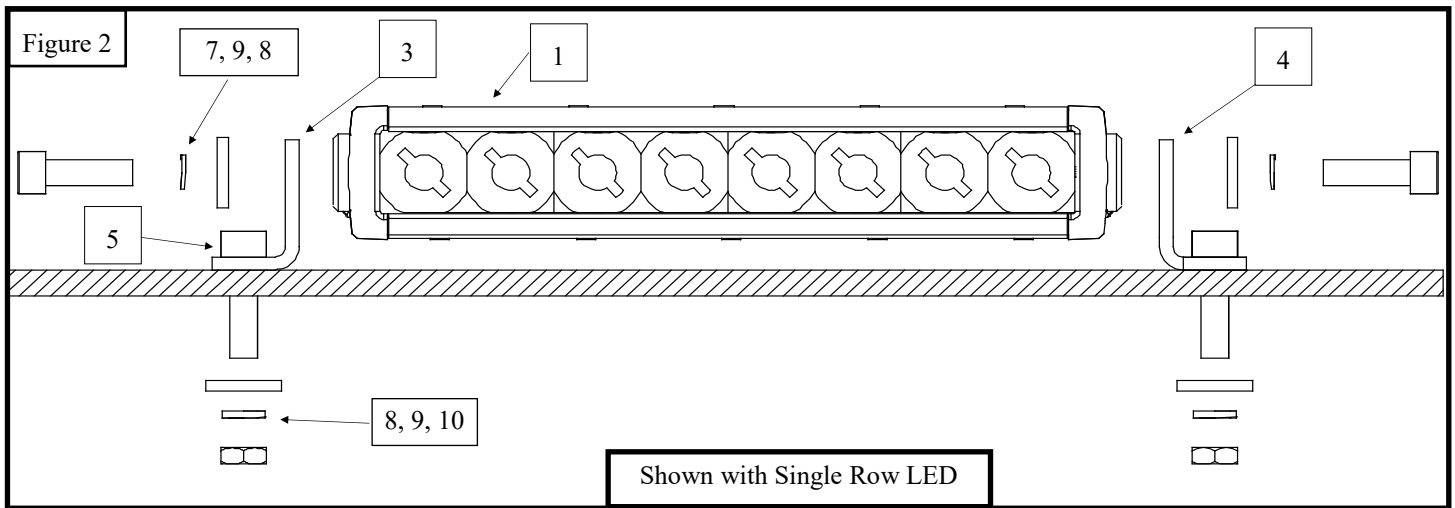
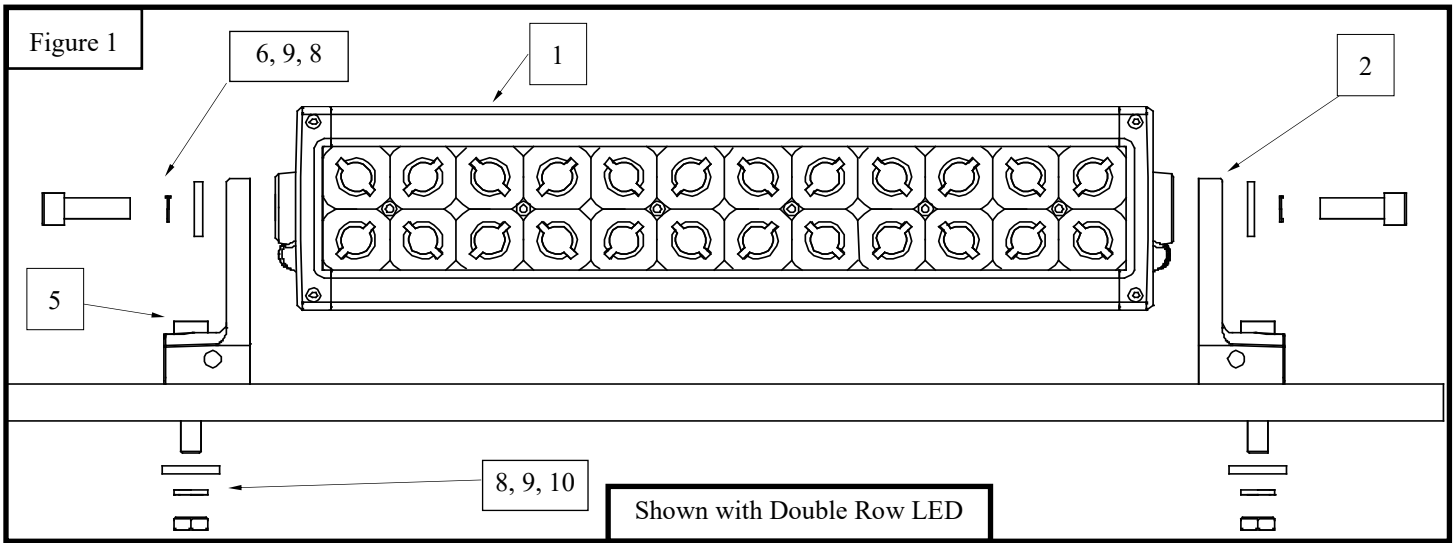
WESTIN recommends using a professional for this installation.

Refer to Figure 3 on page 3.

- Locate the wiring harness and mount the switch in a convenient location where it is easily accessible from the drivers seat. **Note:** *The switch will need to be removed from the wiring harness so that the rest of the harness can be routed from the engine bay to the cabin.*
- Route the wiring harness, specifically the fuse and relay, from the positive battery terminal along the firewalls existing wire routes. **Note:** *Tape as necessary to correct slack.*
- Secure the relay by either drilling or using a pre-existing bolt along the chassis that is not connected to any other wire.
- Run the switch harness through the firewall preferably through the pre-existing rubber plug that is used to run the OEM wiring harness from the engine bay to fuse box. **Note:** *Reconnect the switch to the wiring harness.*
- Place the LED plug wire along the fender chassis where it will not get pinched and away from any moving parts (fan, pulleys etc.).
- Run the attached wire from the LED Light Bar as previously mentioned away from any moving parts.
- Connect both ends of wiring connectors from LED light bar and wiring harness.
- Re-connect battery terminals, attach the Red (+) wire to battery positive, and the black (-) wire to ground. **Note:** *Add dielectric grease (not supplied).*
- Turn on the switch to make sure if the lamp works. If not, please check carefully if the wiring installation is correct.

CARE INSTRUCTIONS

- REGULAR WAXING IS RECOMMENDED. DO NOT USE ANY TYPE OF POLISH OR WAX THAT MAY CONTAIN ABRASIVES.
- STAINLESS STEEL PRODUCTS CAN BE CLEANED WITH MILD SOAP AND WATER. STAINLESS STEEL POLISH SHOULD BE USED TO POLISH SMALL SCRATCHES.
- GLOSS BLACK FINISHES SHOULD BE CLEANED WITH MILD SOAP AND WATER.





WARNING



Failure to follow these instructions could lead to death, personal injury, and / or property damage.

Failure to follow these instructions could lead to death, personal injury, and / or property damage.

FASTENERS:

All Westin supplied fasteners must be utilized and installed in accordance with the installation instructions and apply torque to the specifications as defined. **DOUBLE CHECK ALL FASTENERS BEFORE INITIAL USE, AND PERIODICALLY IN THE FUTURE TO ENSURE PROPER FUNCTION AND SAFETY.**

DRILLING:

Most Westin products do not require drilling for installation. If drilling is defined as required, use caution when drilling a vehicle. **FAILURE TO REVIEW AN AREA TO BE DRILLED MAY RESULT IN PERSONAL INJURY AND/OR INJURY TO OTHERS AS WELL AS VEHICLE DAMAGE.**

EYE PROTECTION:

ALWAYS WEAR SAFETY GLASSES OR GOGGLES DURING THE INSTALLATION PROCESS TO AVOID PERSONAL INJURY.

MAXIMUM TOWING/CARRYING CAPACITY: (if applicable)

The Westin Receiver Hitches will have a visible tow rating label affixed directly on the product. User should never exceed the vehicle manufacturers maximum tow and weight rating regardless of the capacity of the hitch. **FAILURE TO FOLLOW THESE GUIDELINES WILL VOID THE WESTIN WARRANTY AND MAY RESULT IN PERSONAL INJURY AND/OR INJURY TO OTHERS AS WELL AS VEHICLE DAMAGE.**

FOR CALIFORNIA RESIDENTS ONLY-PROP 65 WARNING:

Some products may contain chemicals such as DEHP, which can cause cancer, birth defects or other reproductive harm. For more info go to www.p65warnings.ca.gov



Westin Automotive Products, Inc.
320 W. Covina Blvd
San Dimas, Ca. 91773