



# INSTALLATION INSTRUCTIONS

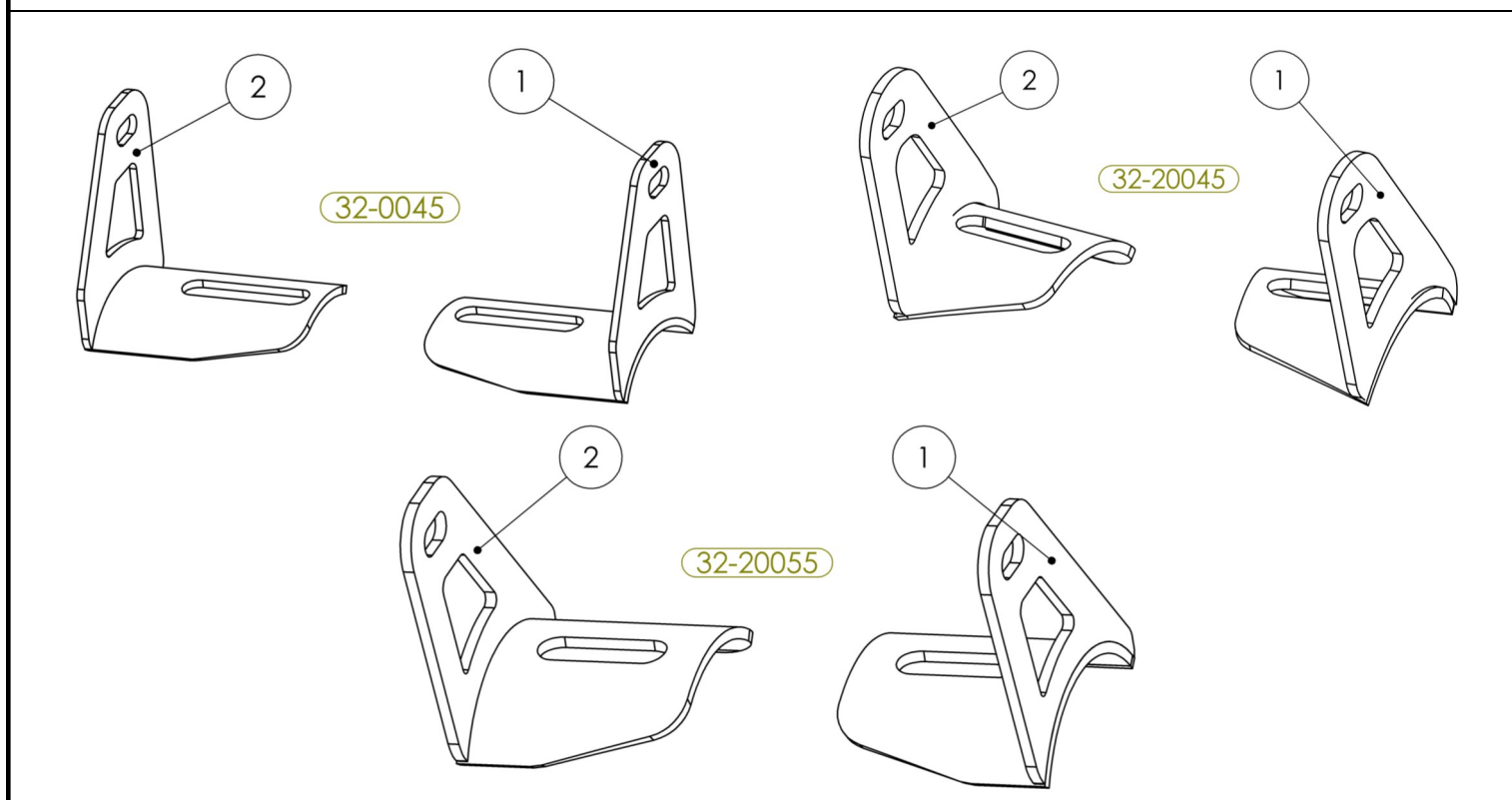
AUTOMOTIVE PRODUCTS,

**APPLICATION:**  
**3.0" and 3.5" Bull Bar LED Mounting Brackets**  
**PART NUMBER: 32-0045, 32-20045, 32-20055**

ITEM	QUANTITY	DESCRIPTION	TOOLS NEEDED
1	1*	DRIVER MOUNTING BRACKET	16MM SOCKET
2	1*	PASSENGER MOUNTING BRACKET	16MM WRENCH
3	2	M10 HEX HEAD CAP SCREW (BLACK ZINC)	SOCKET EXT.
4	2	M10 FLAT WASHER (BLACK ZINC)	RATCHET
5	2	M10 SERRATED FLANGE NUT (YELLOW ZINC)	TORQUE WRENCH

**\*EACH PART NUMBER HAS A DIFFERENT SET OF BRACKETS, REFER TO IMAGE BELOW**

**ANTI-SEIZE LUBRICANT MUST BE USED ON ALL STAINLESS STEEL FASTENERS TO PREVENT THREAD DAMAGE AND GALLING**



## CARE INSTRUCTIONS

- REGULAR WAXING IS RECOMMENDED. DO NOT USE ANY TYPE OF POLISH OR WAX THAT MAY CONTAIN ABRASIVES.
- STAINLESS STEEL PRODUCTS CAN BE CLEANED WITH MILD SOAP AND WATER. STAINLESS STEEL POLISH SHOULD BE USED TO POLISH SMALL SCRATCHES.
- GLOSS BLACK FINISHES SHOULD BE CLEANED WITH MILD SOAP AND WATER.

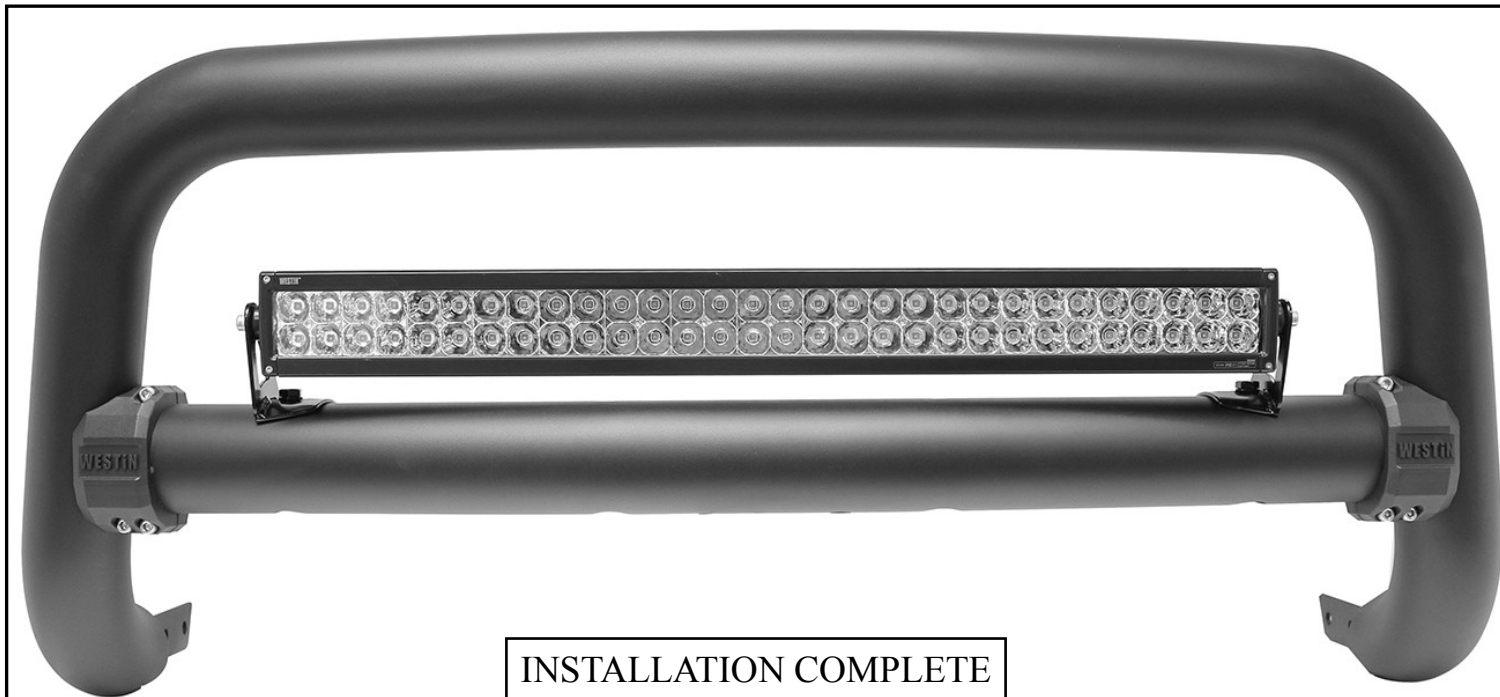
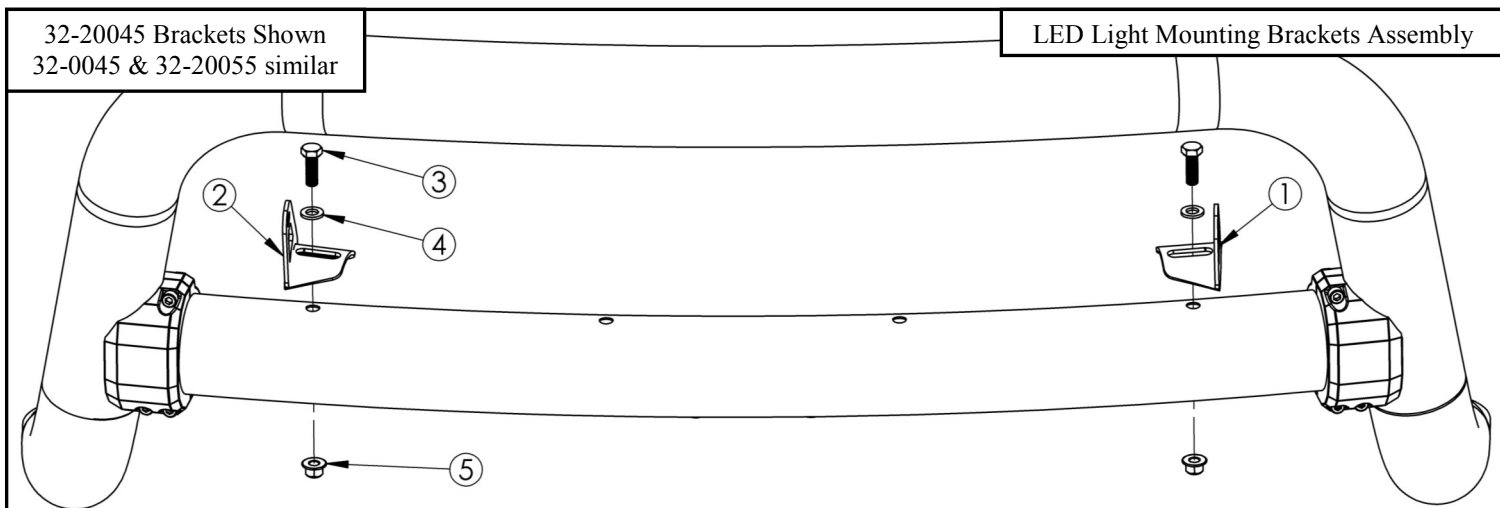


Westin Automotive Products, Inc.  
320 W. Covina Blvd  
San Dimas, Ca. 91773

Thank you for choosing Westin products  
for additional installation assistance please call  
Customer Service (800) 793-7846  
www.westinautomotive.com

## PROCEDURE

1. Remove contents from box, verify if all parts listed are present and free from damage. Carefully read and understand all instructions before attempting installation.  
**Failure to identify damage before installation could lead to a rejection of any claim.**
2. Start installation by locating the Driver Mounting Bracket (Item 1). Align the bracket to the hole on the farthest side of the driver's side. Loosely install the bracket using the M10 hardware provided. **See LED Light Mounting Bracket Assembly.**
3. Repeat step 2 for the Passenger Mounting Bracket (Item 2).
4. Align and adjust the LED lights (Sold Separately) and brackets as necessary. Tighten and torque all M10 hardware to 25 ft-lbs.



Westin Automotive Products, Inc.  
320 W. Covina Blvd  
San Dimas, Ca. 91773