

INSTALLATION INSTRUCTIONS

OUTLAW NERF DROP STEPS



APPLICATION:

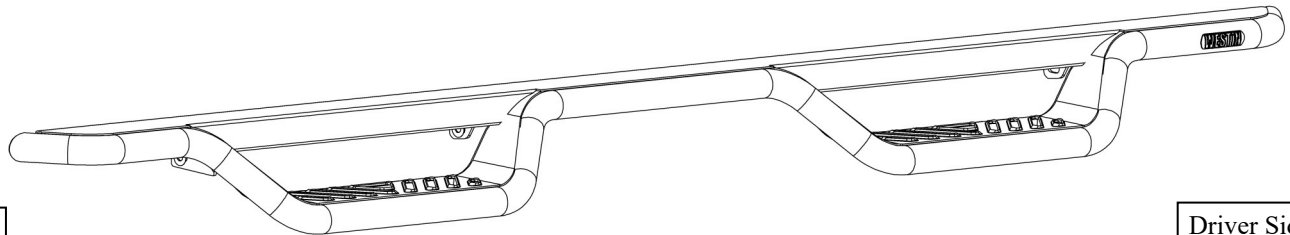
Ford F-150 Super Crew 2015-2022; F-250/350 Crew Cab 2017-2022

PART NUMBER:

20-13945

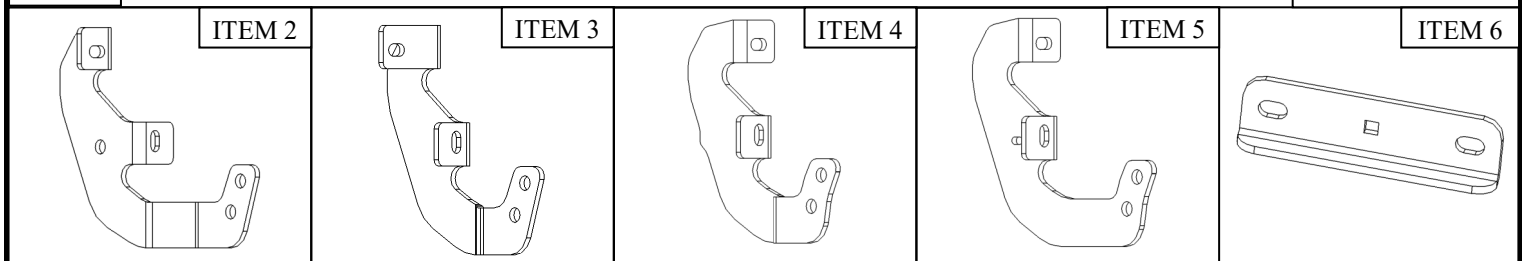
CONTENT			
ITEM	QUANTITY	DESCRIPTION	TOOLS NEEDED
1	2	OUTLAW STEP BAR ASSEMBLY (1 DRIVER, 1 PASSENGER)	13MM SOCKET
2	1	FRONT DRIVER SIDE MOUNTING BRACKET	13MM WRENCH
3	1	FRONT PASSENGER SIDE MOUNTING BRACKET	15MM SOCKET
4	2	CENTER/REAR DRIVER SIDE MOUNTING BRACKET	15MM WRENCH
5	2	CENTER/REAR PASSENGER SIDE MOUNTING BRACKET	RATCHET
6	6	SUPPORT BRACKET	TORQUE WRENCH
7	24	M8 HEX NUT	
8	24	M8 SPLIT LOCK WASHER	
9	24	M8 FLAT WASHER	
10	12	M10 SERRATED FLANGE HEX HEAD BOLT	
11	12	M10 SERRATED FLANGE NUT	
12	6	M8 ROUND HEAD SQUARE NECK BOLT	
13	18	M8 PLASTIC RETAINER	

ANTI-SEIZE LUBRICANT MUST BE USED ON ALL STAINLESS STEEL FASTENERS TO PREVENT THREAD DAMAGE AND GALLING



ITEM 1

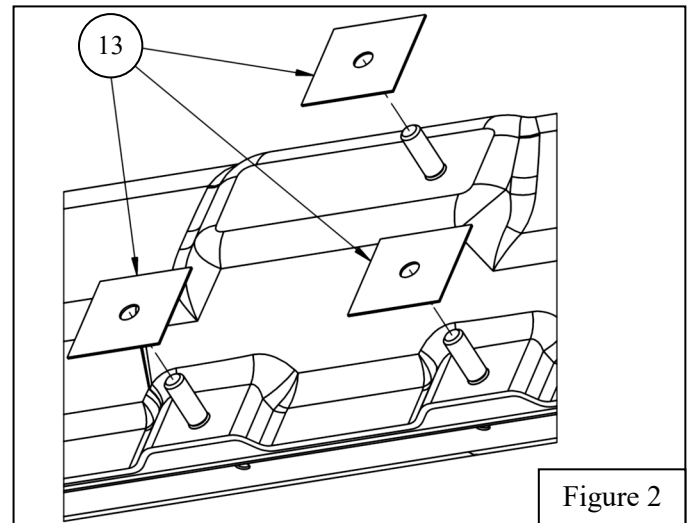
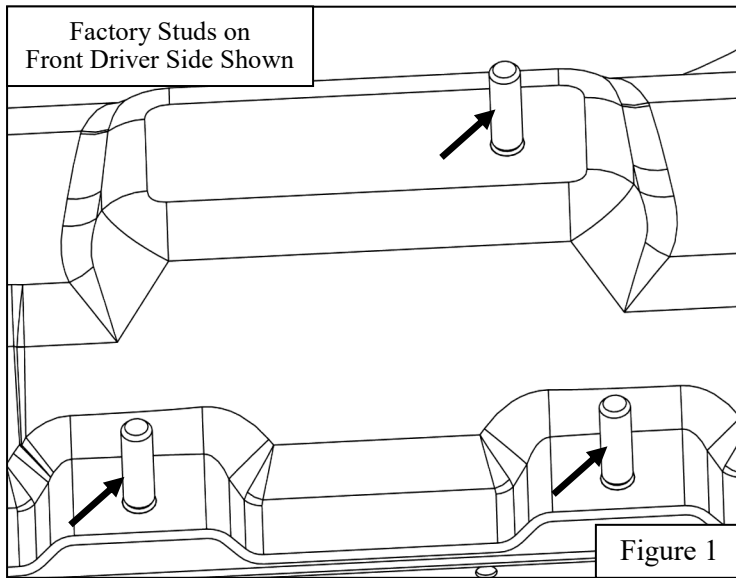
Driver Side Shown



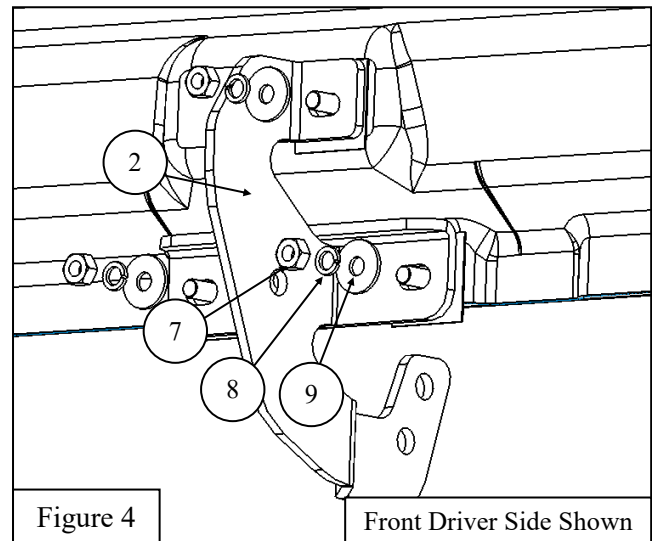
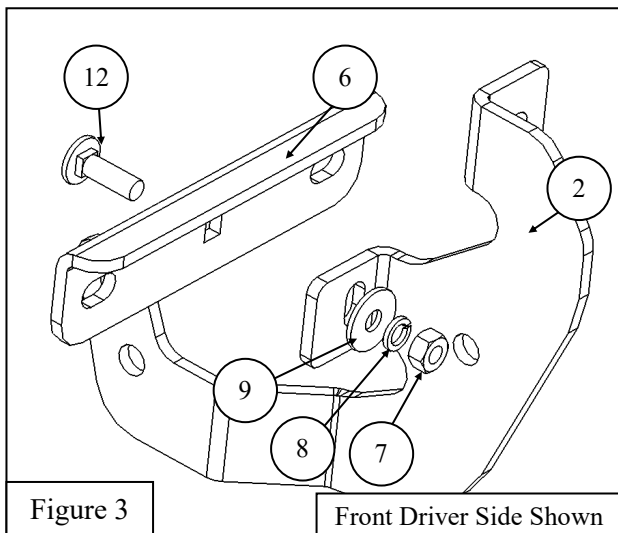
PROCEDURE

1. Remove contents from box, verify if all parts listed are present and free from damage.
Carefully read and understand all instructions before attempting installation.
Failure to identify damage before installation could lead to a rejection of any claim.

- Starting on the driver's side of the vehicle, find the factory studs located on the rocker panel. There should be three mounting studs. See **Figure 1** for reference. **Note:** *The Super Crew has three mounting locations and the Super Cab has two mounting locations.*
- Insert (1) M8 plastic retainer (Item 13) on each factory stud. See **Figure 2** for reference. **Note:** *There will be 6 extra plastic retainers for the Super Cab model since there are only two mounting locations.*



- Assemble the Support Brackets (Item 6) to all Mounting Brackets using the supplied M8 round head square neck bolt (Item 12) and corresponding M8 hardware (Items 7-9). See **Figure 3** for reference. **Note:** *The Super Cab model, 4 Support Brackets will be used, and for the Super Crew model, 6 Support brackets will be used.*
- Loosely mount the Support Bracket and Mounting Bracket sub-assembly to the corresponding mounting location using the supplied M8 hardware (Items 7-9). The lower two mounting studs will align with the Support Bracket and the upper mounting stud will align with the Mounting Bracket. See **Figure 4** for reference.
- Repeat **Steps 3 & 4** for every mounting location. **Note:** *See Figures 5 & 6 for the correct bracket orientation.*



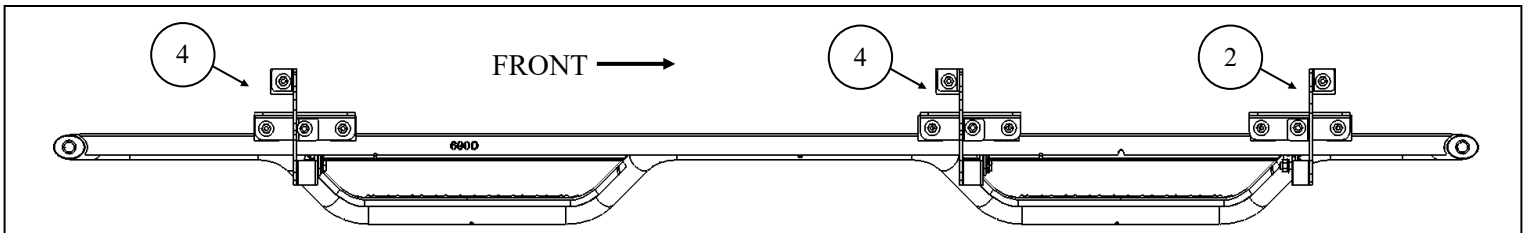


Figure 5

Super Crew Driver Side Shown

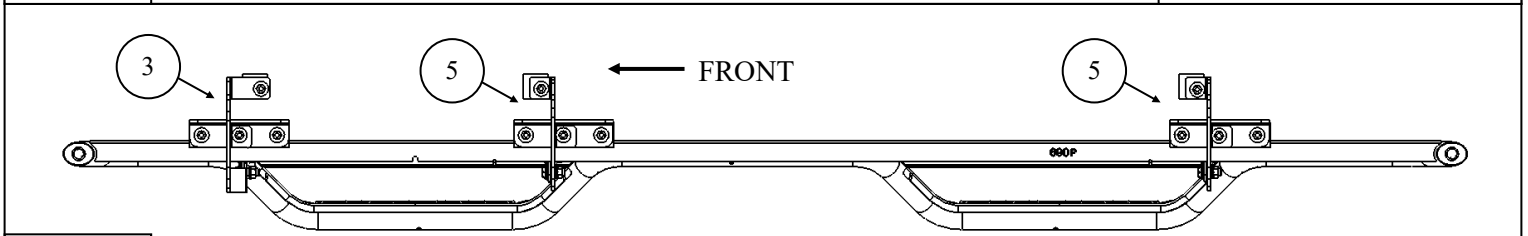


Figure 6

Super Crew Passenger Side Shown

Note: For the Super Cab models, the orientations of the brackets are similar. The only difference is that the Super Cab models will not have center brackets.

7. With all of the Support Bracket and Mounting Bracket assemblies in their corresponding locations, install the driver side Outlaw Step Bar Assembly (Item 1) using the supplied M10 hardware. See **Figure 7** for reference.
8. Repeat **Step 7** for the passenger side Outlaw Step Bar Assembly.
9. Align and adjust the steps bars as needed. Tighten and torque all hardware as specified: M8 hardware to 15-18 ft-lbs, M10 hardware to 35-38 ft-lbs.

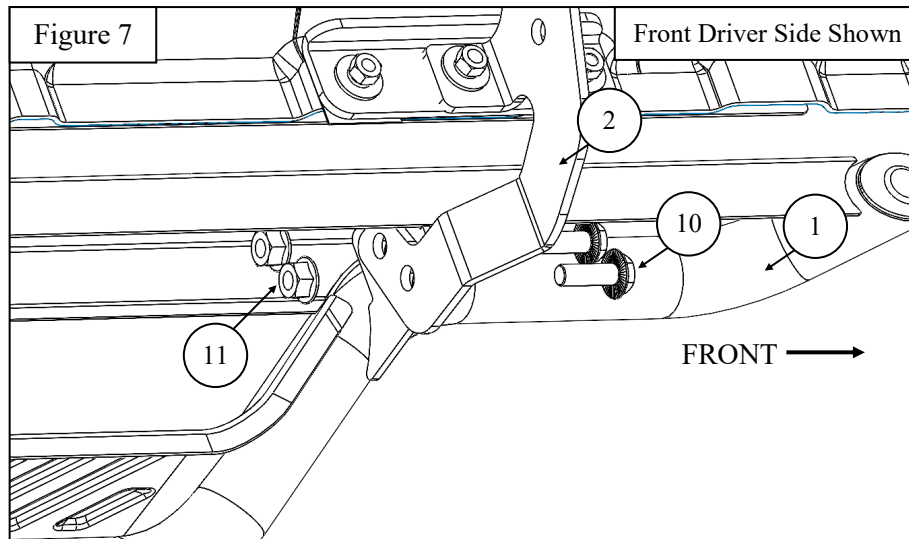


Figure 7

Front Driver Side Shown

INSTALLATION COMPLETE



Note: The LED Roof Mount and HLR Truck Rack are sold separately.

CARE INSTRUCTIONS

- REGULAR WAXING IS RECOMMENDED. DO NOT USE ANY TYPE OF POLISH OR WAX THAT MAY CONTAIN ABRASIVES.
- STAINLESS STEEL PRODUCTS CAN BE CLEANED WITH MILD SOAP AND WATER. STAINLESS STEEL POLISH SHOULD BE USED TO POLISH SMALL SCRATCHES.
- GLOSS BLACK FINISHES SHOULD BE CLEANED WITH MILD SOAP AND WATER.

WESTIN Westin Automotive Products, Inc.
320 W. Covina Blvd
San Dimas, Ca. 91773

Thank you for choosing Westin products
for additional installation assistance please call
Customer Service (800) 793-7846

www.westinautomotive.com

DATE: 3/8/2022



WARNING



Failure to follow these instructions could lead to death, personal injury, and / or property damage.

Failure to follow these instructions could lead to death, personal injury, and / or property damage.

FASTENERS:

All Westin supplied fasteners must be utilized and installed in accordance with the installation instructions and apply torque to the specifications as defined. **DOUBLE CHECK ALL FASTENERS BEFORE INITIAL USE, AND PERIODICALLY IN THE FUTURE TO ENSURE PROPER FUNCTION AND SAFETY.**

DRILLING:

Most Westin products do not require drilling for installation. If drilling is defined as required, use caution when drilling a vehicle. **FAILURE TO REVIEW AN AREA TO BE DRILLED MAY RESULT IN PERSONAL INJURY AND/OR INJURY TO OTHERS AS WELL AS VEHICLE DAMAGE.**

EYE PROTECTION:

ALWAYS WEAR SAFETY GLASSES OR GOGGLES DURING THE INSTALLATION PROCESS TO AVOID PERSONAL INJURY.

MAXIMUM TOWING/CARRYING CAPACITY: (if applicable)

The Westin Receiver Hitches will have a visible tow rating label affixed directly on the product. User should never exceed the vehicle manufacturers maximum tow and weight rating regardless of the capacity of the hitch. **FAILURE TO FOLLOW THESE GUIDELINES WILL VOID THE WESTIN WARRANTY AND MAY RESULT IN PERSONAL INJURY AND/OR INJURY TO OTHERS AS WELL AS VEHICLE DAMAGE.**

FOR CALIFORNIA RESIDENTS ONLY-PROP 65 WARNING:

Some products may contain chemicals such as DEHP, which can cause cancer, birth defects or other reproductive harm. For more info go to www.p65warnings.ca.gov



Westin Automotive Products, Inc.
320 W. Covina Blvd
San Dimas, Ca. 91773