



AUTOMOTIVE PRODUCTS,

INSTALLATION INSTRUCTIONS

PROTRAXX 5 WTW

APPLICATION:

2017 Ford F-250/350 Crew Cab 6.75ft Bed
 2017 Ford F-250/350 Super Cab 6.75ft Bed

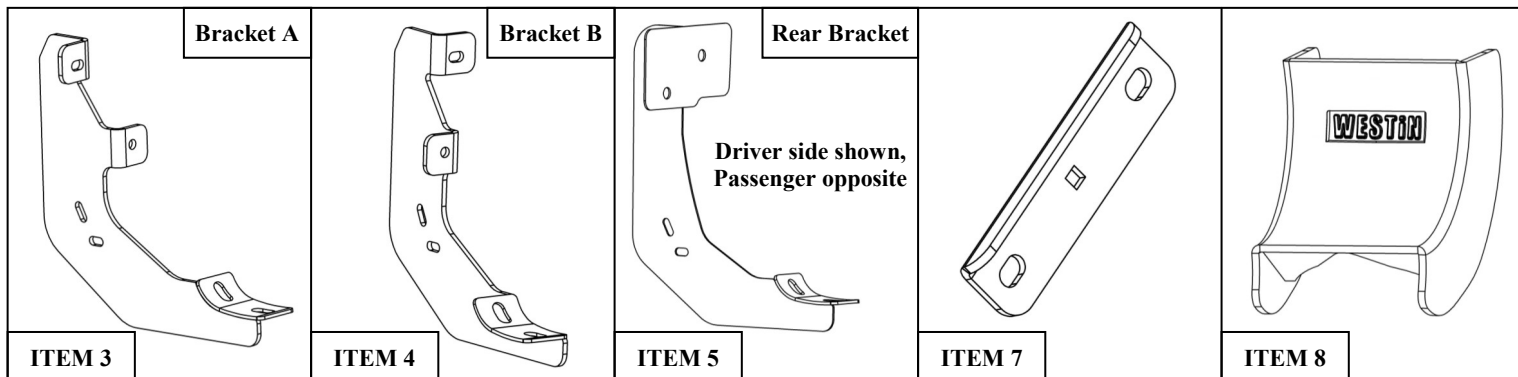
PART NUMBER:

21-534645, 21-534665

ITEM	QUANTITY	DESCRIPTION	TOOLS NEEDED
1,2	2	STEP BARS, DRIVER (1) AND PASSENGER (2)	13MM SOCKET
3	2	MOUNT BRACKET A	13MM WRENCH
4	2, 4*	MOUNT BRACKET B	10MM SOCKET
5,6	2	REAR MOUNT BRACKET, DRIVER (5) AND PASSENGER (6)	10MM WRENCH
7	4, 6*	UNIVERSAL MOUNT BRACKET	HEX KEY TOOL
8	6, 8*	PLASTIC BRACKET COVER	RATCHET
9	16, 24*	M8 HEX NUT (YELLOW ZINC)	TORQUE WRENCH
10	20, 28*	M8 FLAT WASHER (YELLOW ZINC)	
11	20, 28*	M8 SPLIT LOCK WASHER (YELLOW ZINC)	
12	4	M8 HEX HEAD CAP SCREW (YELLOW ZINC)	
13	4	M8 U-NUT CLIP (YELLOW ZINC)	
14	4, 6*	M8 ROUND HEAD SQUARE NECK BOLT (YELLOW ZINC)	
15	12, 16*	M6 HEX HEAD CAP SCREW (YELLOW ZINC)	
16	24, 32*	M6 FLAT WASHER (YELLOW ZINC)	
17	12, 16*	M6 NYLOCK NUT (YELLOW ZINC)	
18	12, 16*	M10 HEX SOCKET BUTTON HEAD SCREW (BLACK ZINC)	
19	12, 16*	M10 INTERNAL TOOTHED LOCK WASHER (BLACK ZINC)	
20	12, 16*	M10 FLAT WASHER (BLACK ZINC)	
21	16, 22*	M8 PLASTIC RETAINER SQUARE	

* CREW CAB HAS (2) EXTRA MOUNT BRACKET B, (2) EXTRA BRACKET PLASTIC COVERS, AND EXTRA HARDWARE.

ANTI-SEIZE LUBRICANT MUST BE USED ON ALL STAINLESS STEEL FASTENERS TO PREVENT THREAD DAMAGE AND GALLING



Westin Automotive Products, Inc.
 320 W. Covina Blvd
 San Dimas, Ca. 91773

Thank you for choosing Westin products
 for additional installation assistance please call
 Customer Service (800) 793-7846

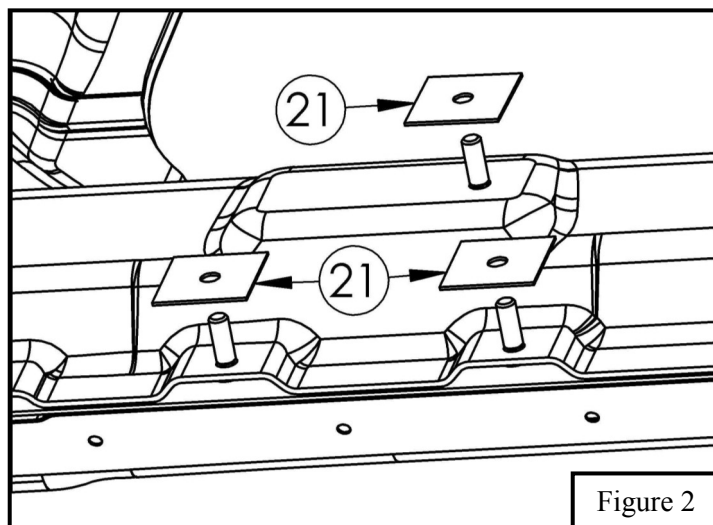
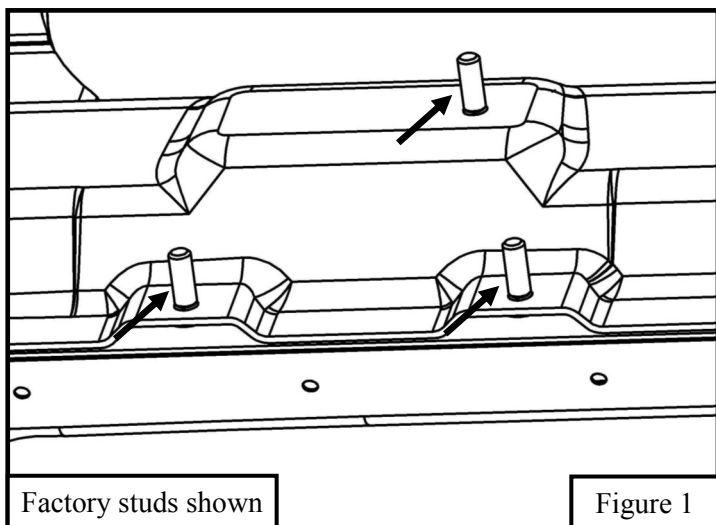
PROCEDURE

1. Remove contents from box, verify if all parts listed are present and free from damage.

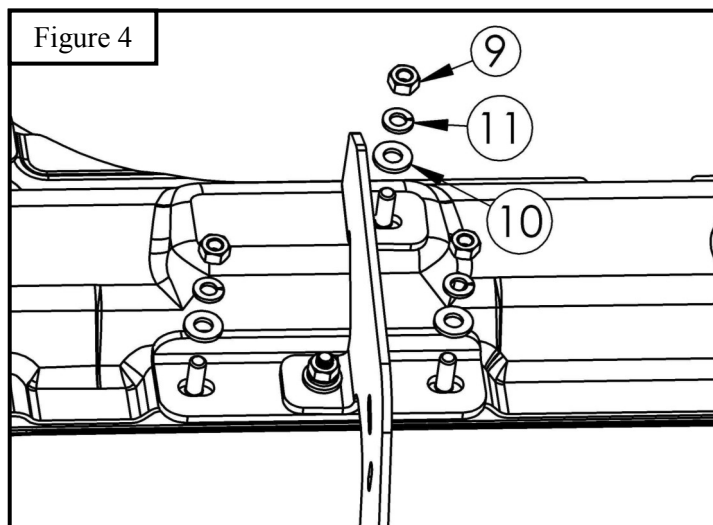
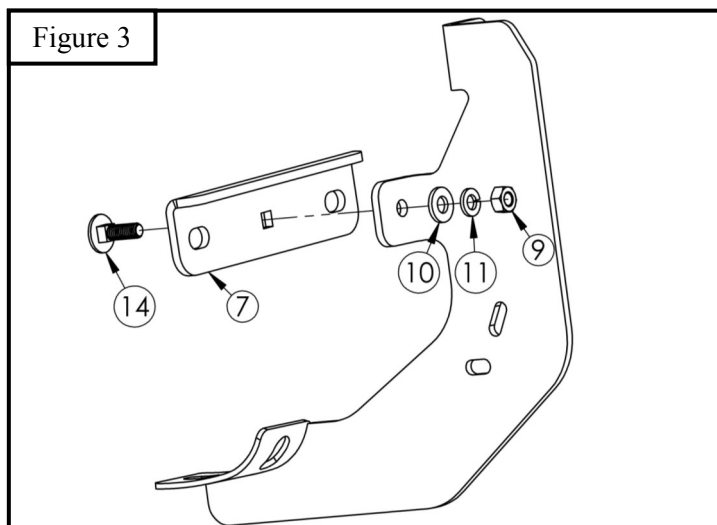
Carefully read and understand all instructions before attempting installation.

Failure to identify damage before installation could lead to a rejection of any claim.

2. Start installation on driver's side. On the rocker panel find locations of factory studs. In each location there should be 3 studs. **Note:** Super Cab has two mount locations and Crew Cab has three mount locations. See **Figure 1**.
3. Insert (1) M8 Plastic Retainer (Item 21) on each factory stud. **Note:** There will be 6 extra plastic retainers for the super cab model. See **Figure 2**.



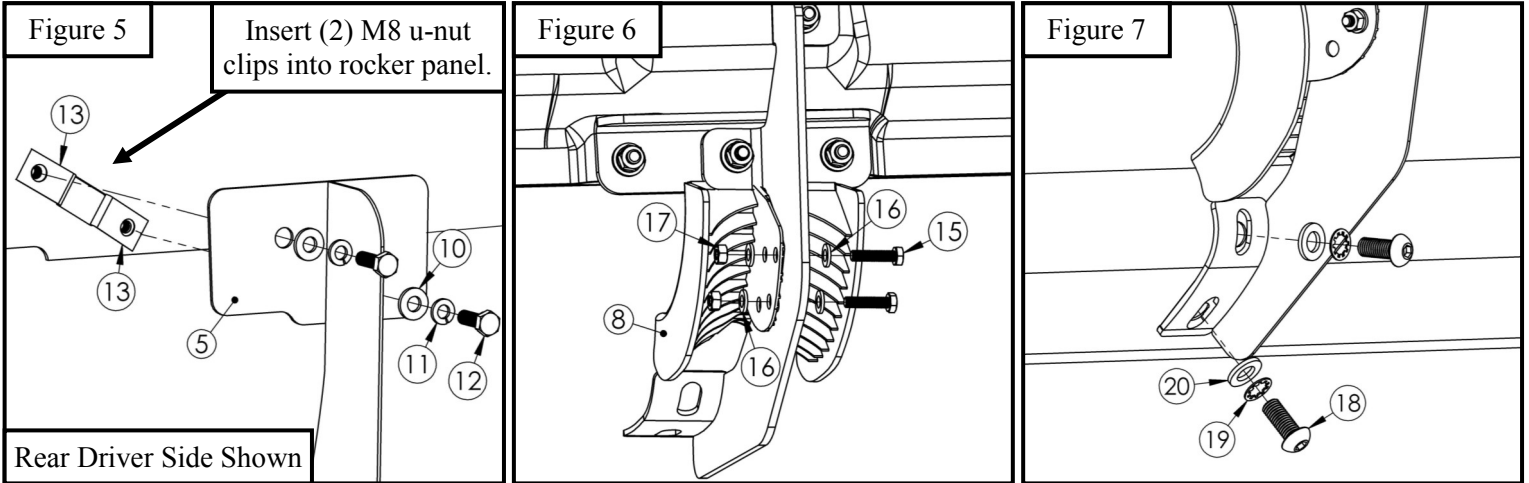
4. Insert the M8 round head square neck bolt (Item 14) through the Universal Mount Bracket's (Item 7) square hole. Then insert the M8 round head square neck bolt through mounting brackets bottom circular hole. Loosely secure with (1) M8 hex nut, (1) M8 split lock washer, and (1) M8 flat washer. **Note:** For Super Cab model there will be 4 Universal Mounting Brackets and for the Super Crew model there are 6. See **Figure 3**.
5. Align sub-assembly with the 3 factory studs. Lower 2 factory studs will align with the Universal Mount Bracket and top factory stud will align with mounting brackets. Loosely secure sub-assembly with (3) M8 hex nut, (3) M8 split lock washer, and (3) M8 flat washer. See **Figure 4**.
6. Repeat **Step 3-5** for every mounting location. **Note:** Rear bracket is installed differently. See **Step 7**.



Westin Automotive Products, Inc.
320 W. Covina Blvd
San Dimas, Ca. 91773

Thank you for choosing Westin products
for additional installation assistance please call
Customer Service (800) 793-7846

7. Locate the rear mounting location. Insert (2) M8 u-nut clips (Item 4) and then loosely secure rear mount bracket (Item 5/6) using (2) M8 hex head cap screws, (2) M8 flat washers, and (2) M8 split lock washer. See **Figure 5**. Repeat for other side.
8. Locate (1) plastic bracket cover (Item 8) and loosely secure it to the brackets using the provided hardware: (2) M6 hex head cap screws, (4) M6 flat washers, and (2) M6 nylon nuts. Repeat for every bracket. See **Figure 6**.
9. For step bar installation to the previously installed mounting brackets use the supplied M10 hardware. See **Figure 7**.
10. Align and adjust step bar and brackets to desired position and then torque and tighten all hardware to: M8 to 15-18 ft-lbs, M6 to 5-7 ft-lbs, and M10 to 30-35 ft-lbs.



Care Instructions

- REGULAR WAXING IS RECOMMENDED. DO NOT USE ANY TYPE OF POLISH OR WAX THAT MAY CONTAIN ABRASIVES.
- STAINLESS STEEL PRODUCTS CAN BE CLEANED WITH MILD SOAP AND WATER. STAINLESS STEEL POLISH SHOULD BE USED TO POLISH SMALL SCRATCHES.
- GLOSS BLACK FINISHES SHOULD BE CLEANED WITH MILD SOAP AND WATER.



Westin Automotive Products, Inc.
320 W. Covina Blvd
San Dimas, Ca. 91773

Thank you for choosing Westin products
for additional installation assistance please call
Customer Service (800) 793-7846
www.westinautomotive.com

Westin

SIGNATURE OF QUALITY

AUTOMOTIVE PRODUCTS, INC.



WARNING



Failure to follow these instructions could lead to death, personal injury, and / or property damage.

FASTENERS:

All Westin supplied fasteners must be utilized and installed in accordance with the installation instructions and apply torque to the specifications as defined. **DOUBLE CHECK ALL FASTENERS BEFORE INITIAL USE, AND PERIODICALLY IN THE FUTURE TO ENSURE PROPER FUNCTION AND SAFETY.**

DRILLING:

Most Westin products do not require drilling for installation. If drilling is defined as required, use caution when drilling a vehicle. **FAILURE TO REVIEW AN AREA TO BE DRILLED MAY RESULT IN PERSONAL INJURY AND/OR INJURY TO OTHERS AS WELL AS VEHICLE DAMAGE.**

EYE PROTECTION:

ALWAYS WEAR SAFETY GLASSES OR GOGGLES DURING THE INSTALLATION PROCESS TO AVOID PERSONAL INJURY.

MAXIMUM TOWING/CARRYING CAPACITY:

The Westin Receiver Hitches will have a visible tow rating label affixed directly on the product. User should never exceed the vehicle manufacturers maximum tow and weight rating regardless of the capacity of the hitch. **FAILURE TO FOLLOW THESE GUIDELINES WILL VOID THE WESTIN WARRANTY AND MAY RESULT IN PERSONAL INJURY AND/OR INJURY TO OTHERS AS WELL AS VEHICLE DAMAGE.**

Westin
SIGNATURE OF QUALITY

Westin Automotive Products, Inc.
320 W. Covina Blvd
San Dimas, Ca. 91773