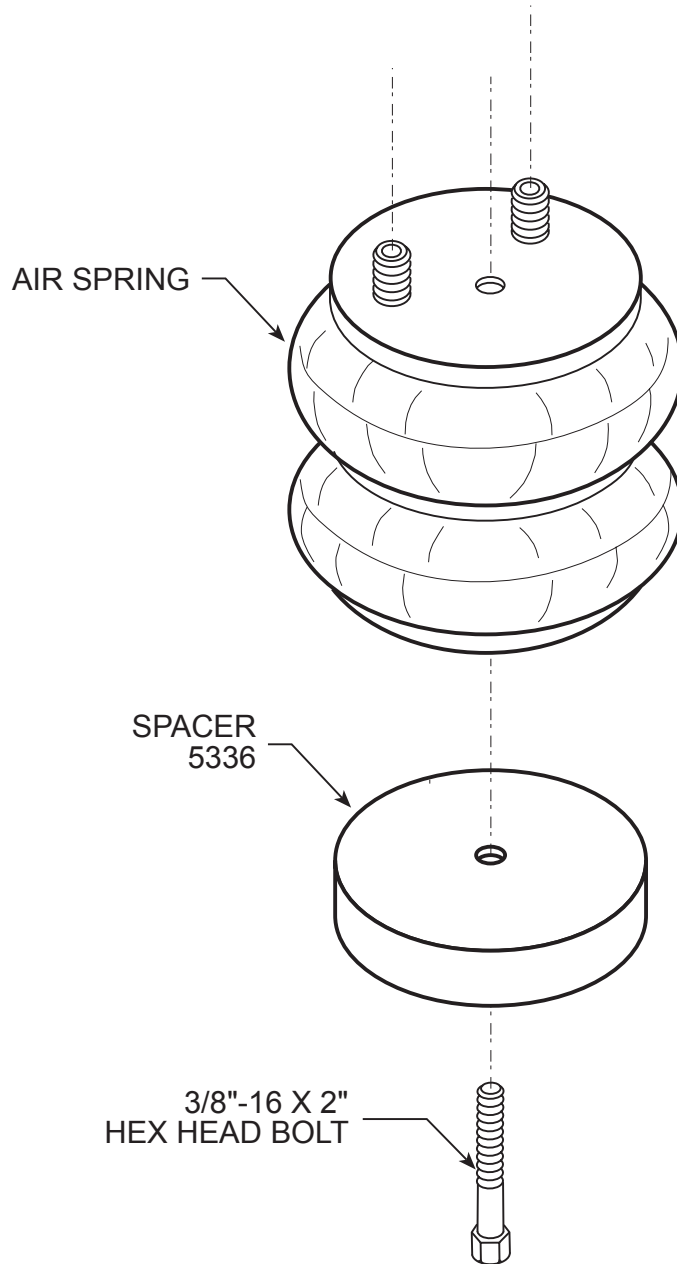


Assemble the lower bracket to the air spring by using a 3/8" x 2" hex head bolt as shown in figure.



PARTS LIST

5336	SPACER	2
3150	3/8"-16 X 2" HEX HEAD BOLT	2