



# GENESIS & HARD FOLD TONNEAU INSTALLATION SHEET

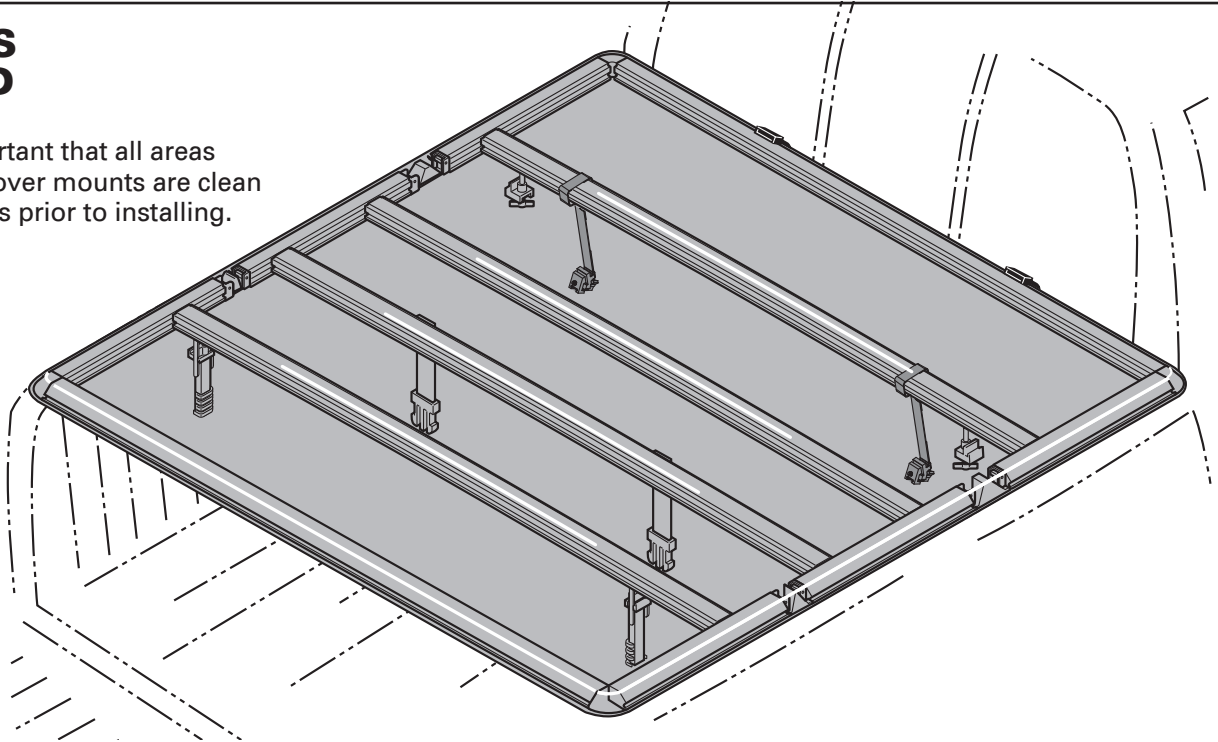
**Any damaged or missing parts?**

Parts will be shipped to you directly.

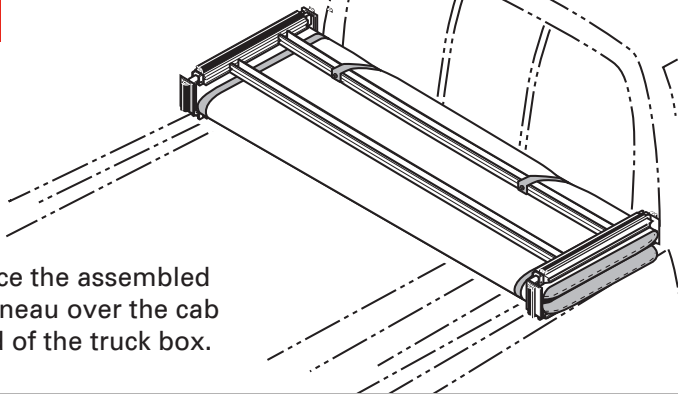
Call 800-328-2438, Mon-Fri, 8:30 a.m. - 5:00 p.m. EST

## NO TOOLS REQUIRED

**NOTE:** It is important that all areas where the bed cover mounts are clean and free of debris prior to installing.



**1**

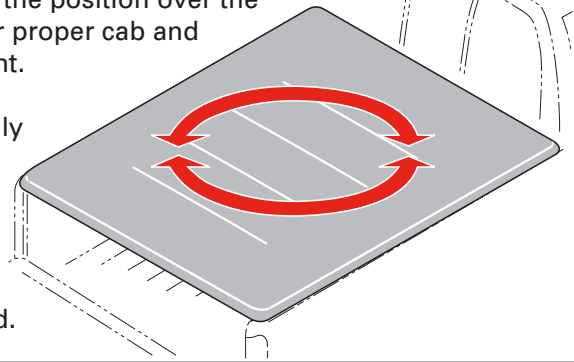


Place the assembled tonneau over the cab end of the truck box.

**2**

Unfold the tonneau fully and adjust the position over the truck bed for proper cab and tail alignment.

Then carefully refold the tonneau without shifting its position on the truck bed.



**3**

**STOP**

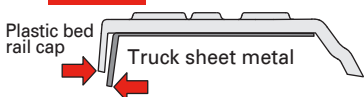
If your truck has a plastic bed rail cap that extends below the truck sheet metal bed flange, you **MUST** remove enough of the plastic so that the clamps make solid contact with the truck's sheet metal.

*This is commonly found on 04-14 & 21 Ford F150s and 09-19 RAMs, but your specific vehicle should be inspected carefully to ensure a proper installation.*

**BEFORE**



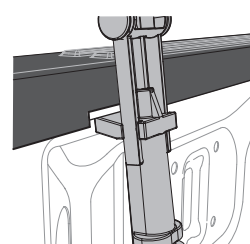
**AFTER**



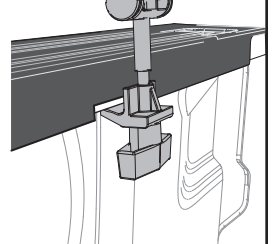
Trim the plastic high enough to expose the truck metal, and wide enough to accommodate the clamp.

**Do NOT cut into or scrape the truck bed.**

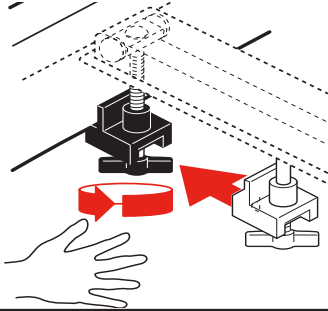
Tail clamp



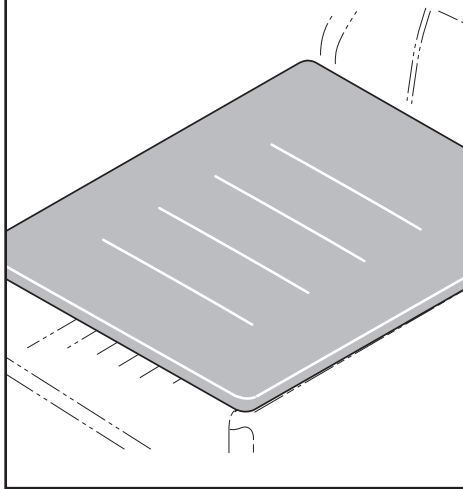
Cab clamp



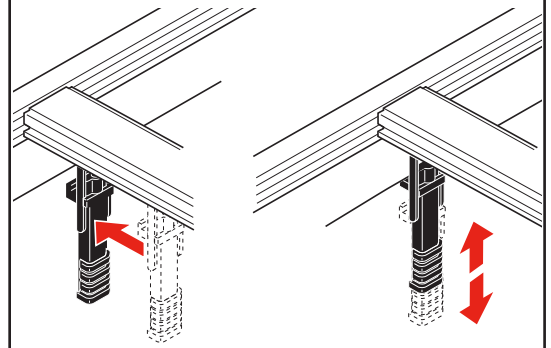
**4** Ensure that the clamp is positioned under the metal bed flange. Hand tighten until clamp contacts the flange, then tighten an additional two turns. Do Not secure to only the lip of the bedliner or wall cap. **Do Not Use a Wrench or Overtighten!**



**5** With the tailgate open, completely close the tonneau.

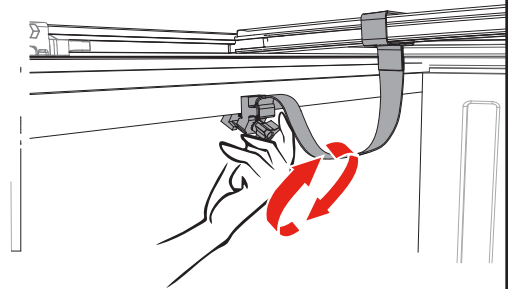
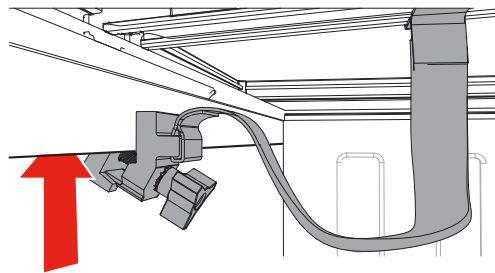
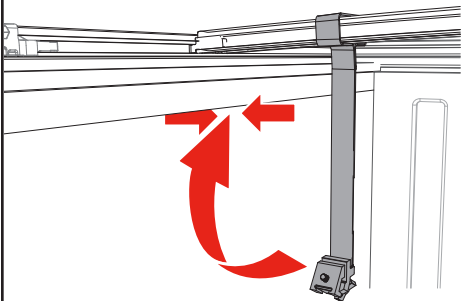


**6** Slide the rear clamp out to the bed wall. Pull the rear clamp down, and hook it under the bottom edge of the metal bed flange.



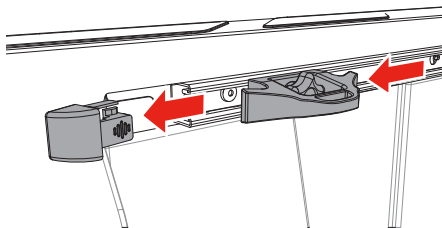
**7A Truck beds with metal flanges (without cargo rails)**

Open the cover. The tethers are attached to the cover bow. Attach the clamp to the metal flange of the truck bed rail and tighten the knob. Do this for both the driver and passenger side.

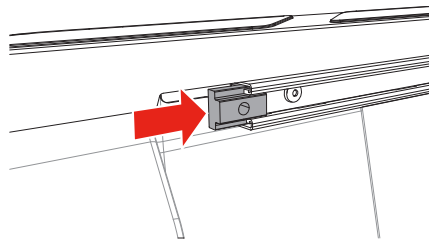


**7B Truck beds with factory cargo rails**

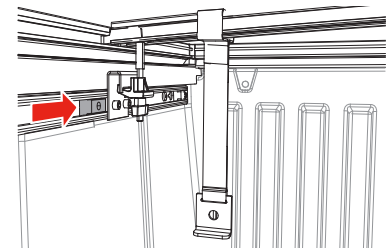
Open the cover.



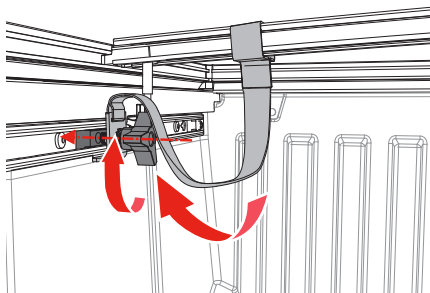
Remove the cargo rail end cap and any tie-down cleats.



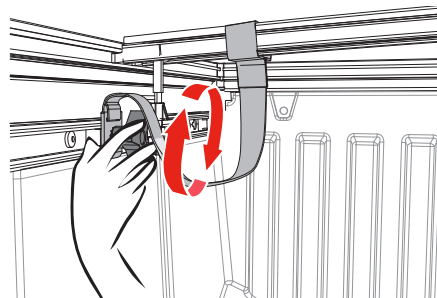
Insert the provided slide block into the cargo rail.



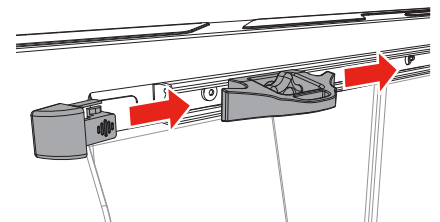
Move the slide block forward to the front bow of the cover.



Thread the tether knob through the lock washer, through the tether bracket and into the slide block.



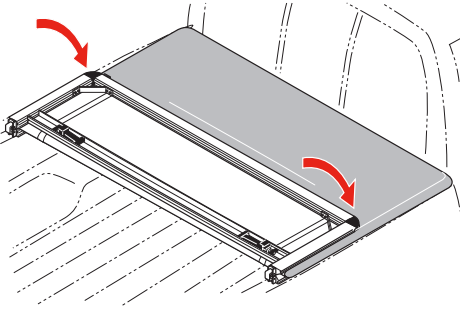
Tighten the knob. Do these steps for both the driver and passenger sides.



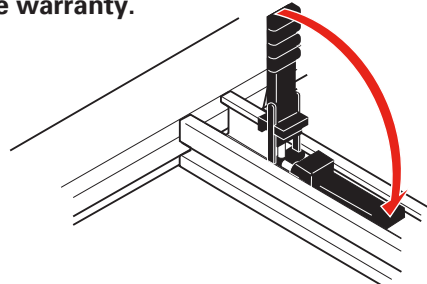
Reinstall any tie-down cleats and the end cap on both sides of the truck.

## DRIVING WITH THE TONNEAU OPEN

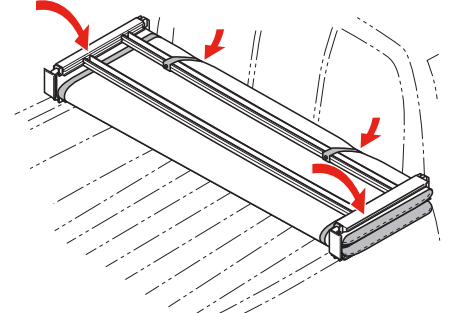
Release the rear clamps and fold the tonneau forward.



**IMPORTANT:** Before folding the second section of the tonneau, the rear clamps must be stowed into the rail to prevent damage to the fabric. **Failure to stow the handle will puncture the tarp and void the warranty.**



Fold the tonneau forward and fasten the straps in the middle section to the front rail. Check that the straps are tight.



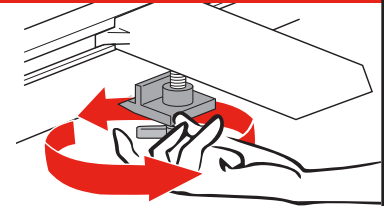
## IMPORTANT

Re-tighten the front/cab clamps and tethers after the first week of driving the vehicle. Also periodically check the clamps and tethers to ensure they are secure.

**Closed/Extended Position** – Bed cover must be completely secured by all four (4) clamps.  
**Open/Folded Position** – Bed cover must be completely folded up (all panels) and secured at the cab with the provided buckles straps and with both tethers attached.

**Do NOT** drive with the bed cover in a partially open position.

**NOTE:** the tarp cannot be removed from the aluminum frame. Attempting to do so will cause damage and void the warranty.



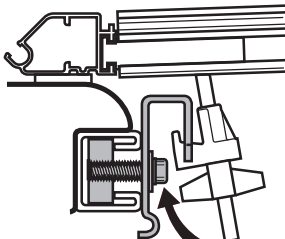
Do NOT allow the vehicle to be towed backwards without first removing the cover from the vehicle.



Remove any snow or foreign matter before folding the bed cover.

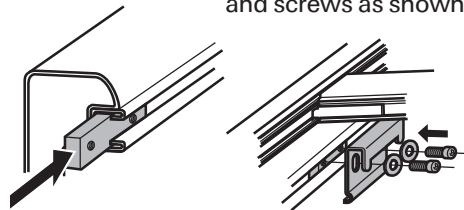
## CARGO MANAGEMENT EQUIPPED TRUCKS BRACKET KIT INSTALLATION

Cab Clamp

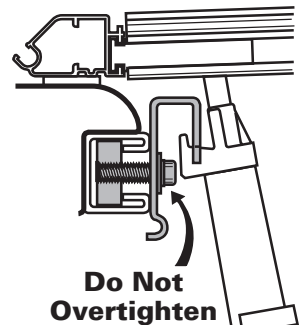


**Do Not Overtighten**

Add the clamp plate, washers and screws as shown.



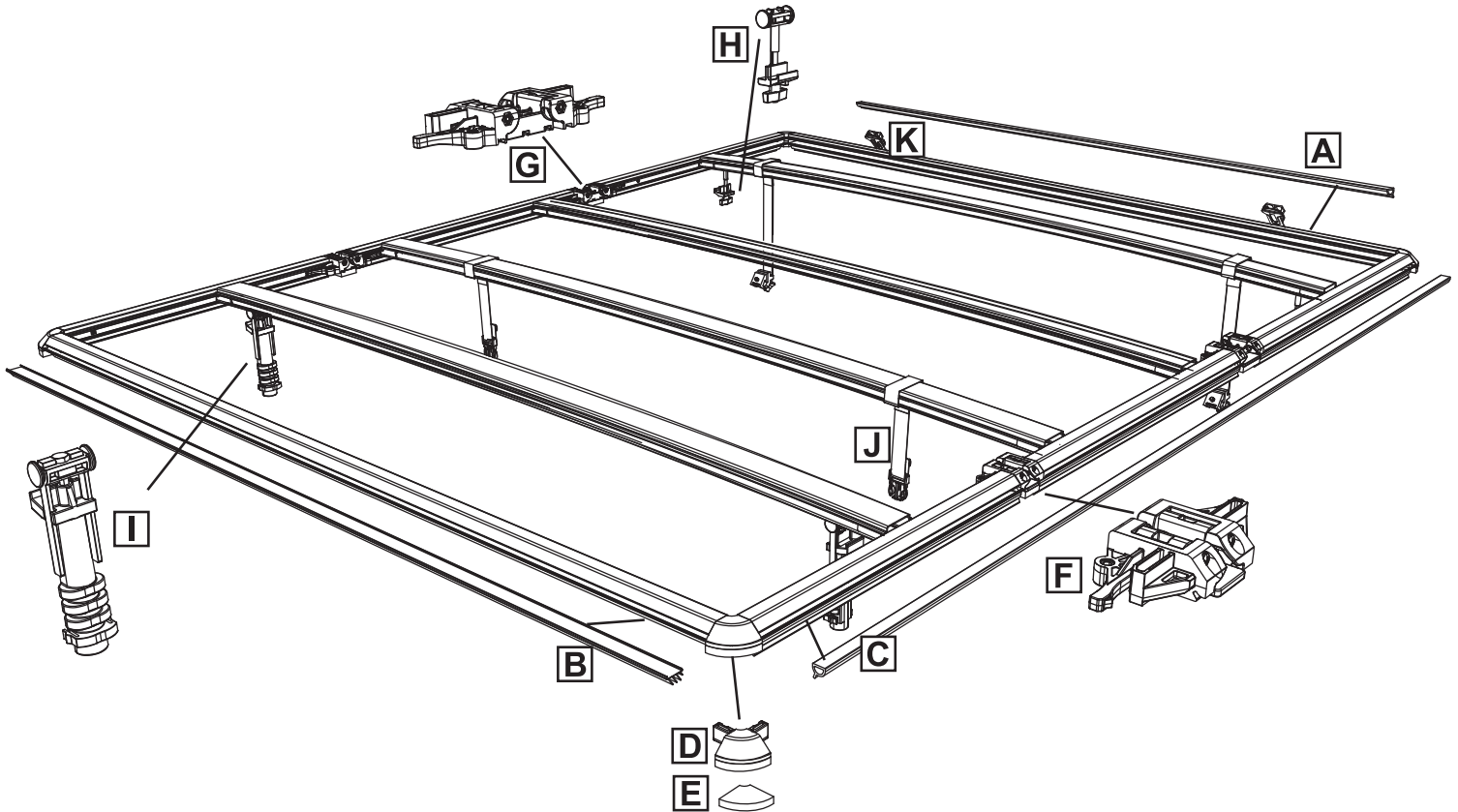
Tailgate Clamp



**Do Not Overtighten**

# REPLACEMENT PARTS

NOTE: To order replacement parts, it is best to contact our Customer Service Department for assistance to ensure that you get the correct part for your vehicle application. When ordering, xxx represents the 3 digit suffix, as referenced on the sales receipt or vehicle application list.



Call Out	Title	Part Number Soft Fold Cover	Part Number Hard Fold Cover	Description	Model Year	Qty
A	Cab Seal	32440500	32440500	1/2" D Seal (6') fits most applications		1
A	Cab Seal	32562569	32562569	3/4" Two-fin Seal (69.5") fits Nissan Frontier applications	2005-2020	1
A	Cab Seal	32562569	32562569	3/4" Two-fin Seal (69.5") fits Chevy Silverado/GMC applications	2019-2020	1
A	Cab Seal	32001668	32001668	1 3/8" Foam Seal (5'5") fits Toyota Tacoma applications	2005-2015	1
A	Cab Seal	32270600	32270600	Honda Ridgeline	2006-2020	1
B	Tail Seal	32001768	32001768	Standard Tail Fin Seal (68") fits all trucks except Toyota Tacoma		1
B	Tail Seal	32001668	32001668	1 3/8" Foam Seal (5'5") fits Toyota Tacoma applications	2005-2015	1
C	Side Seal	32520052-0	32520052-0	Bulb Seal (8')		1
D	Corner with Pad	4211	4211	Corner with pad, used front or rear		2
E	Corner Pad	4210	4210	Pads only, used front or rear		2
F	Tailgate Hinge Assembly	1033-0	2048			1
G	Cab Hinge Assembly	1032-0	2049			1
H	Cab Clamp Assembly	1034-0	2075			1
I	Tailgate Clamp Assembly	1035/1042	1035/1042	Contact Customer Service for application specific tailgate clamp assembly		1
J	Tarp Tie Down Strap	54440400	54440400	Tie Down Strap w/Male Buckle		1
K	Buckle Assembly	54440100	54440100	Single Buckle assembly w/Female Buckle for Tie-down Strap		1

# LIMITED WARRANTY

## WARRANTY COVERAGE

This truck bed cover is warranted against defects in materials or workmanship as follows. This warranty is void if the product has been damaged in an accident, or due to neglect, unforeseeable use, improper installation, improper servicing, or other cause not arising out of defects in material or workmanship.

### LIMITED LIFETIME WARRANTY ON HARD PARTS

All hardware included with your truck bed cover, including rails, clamps and bows carry a limited lifetime warranty, subject to the terms below.

### LIMITED 10-YEAR WARRANTY FOR FABRIC

The fabric on your truck bed cover carries a limited warranty for ten (10) years from the original date of purchase, subject to the terms below.

## WARRANTY IS NOT TRANSFERABLE

The warranty is to the initial consumer purchasing the truck bed cover and it is not transferrable to a subsequent end user. Proof of purchase may be required to enforce these warranty rights.

## FAILURE TO FOLLOW THESE CARE AND USE INSTRUCTIONS WILL VOID THE WARRANTY

- Clean with mild automotive soap and water only.
- Use only water-based vinyl conditioners. Use of vinyl conditioners that contain silicone or petroleum (e.g., Armor All®) may crack and shrink the vinyl and will void the warranty.
- Prior to vehicle operation, all clamps and retention mechanisms must be tightly secured to the vehicle:
  - **Closed/Extended Position** – Bed cover must be completely secured by all four (4) clamps.
  - **Open/Folded Position** – Bed cover must be completely folded up (all panels) and secured at the cab with the provided buckles straps and with both tethers attached. Do NOT drive with the bed cover in a partially open position!
- The truck bed cover MUST be free of foreign material, including snow and ice, before opening.
- Rear/tailgate panel clamps must be properly stored prior to folding the cover in order to prevent damage to the fabric.
- Front/cab clamps and retention mechanisms must be checked for tightness after a week of driving following installation (or re-installation) of the truck bed cover and periodically thereafter.
- Do NOT allow the vehicle to be towed backwards without first removing the cover from the vehicle.

## WARRANTY PERFORMANCE

If all warranty conditions are met, a defective truck bed cover, tarp, or hardware component will either be repaired or replaced (at our option). We reserve the right, for any warranted return, to substitute a newer model of bed cover having similar form and function, to offer a warranty discount on an entire replacement system, and/or provide remedies other than those mentioned in this document.

## WARRANTY PROCESS

A Return Authorization number must be obtained from our Customer Service Department prior to returning any product. We may require the original item to be returned postage prepaid for final determination. Shipping charges will apply for any repair or replacement. Other than postage or shipping charges, no charge will be made for repair or replacement under this warranty.

This warranty gives you specific legal rights. As a consumer, you may also have additional rights and remedies under the laws of your state.

**SOMETHING DAMAGED? MISSING PARTS?**

---

**CALL US FIRST**  
**800-328-2438**

**WE CAN HELP YOU QUICKLY AND EASILY OVER THE PHONE**

---

Experienced Customer Service staff are available  
to answer all your truck bed cover questions

**CUSTOMER SERVICE HOURS**

**8:30 a.m. TO 5:00 p.m. EST, MONDAY - FRIDAY**

Truck bed cover model: \_\_\_\_\_

Purchase date: \_\_\_\_\_

Lot code: \_\_\_\_\_

*Lot code can be found on the underside of cover.*