



INSTALLATION GUIDE

E4OD, 4R100, 5R110 Transmission Pan, Fits 1989-2010 Ford 7.3L, 6.0L, 6.4L Powerstroke

SKU: MMTP-F2D-89

TABLE OF CONTENTS

- Pg 1** RESOURCES AND CONTACT INFORMATION
- Pg 2** IMPORTANT SAFETY INFORMATION
REQUIRED TOOLS
INSTALLATION INSTRUCTIONS
- Pg 3** STEP 4 TORQUE PATTERN
- Pg 4** DISPOSAL INSTRUCTIONS
WARRANTY INFORMATION

RESOURCES & CONTACT

-  **CALL 1-877-GOMISHI**
CUSTOMER SERVICE HOURS: MON-FRI 8:30AM-5:00PM EST
-  **MISHIMOTO**
-  **GOMISHIMOTO**
-  **MISHIMOTO**
-  **WEBSITE**
WWW.MISHIMOTO.COM
-  **ENGINEERING BLOG**
WWW.MISHIMOTO.COM/ENGINEERING

IMPORTANT SAFETY INFORMATION

- › Mishimoto recommends you use safety glasses and protective gloves during the installation of our products
- › Raise vehicle only on jack stands or on a vehicle lift
- › Allow vehicle to cool completely prior to attempting installation
- › Do not run the engine or drive the vehicle while overheating; serious damage can occur
- › Please dispose of any liquids properly
- › Mishimoto is not responsible for any vehicle damage or personal injury due to installation errors, misuse, or removal of Mishimoto products
- › If you need any assistance while installing our products, reach out to our Customer Service Team at 1-877-GOMISHI

SUPPLIED PARTS

- (1) MISHIMOTO CAST ALUMINUM TRANSMISSION PAN WITH PRE-INSTALLED BOLT RETAINERS, MAGNETIC DRAIN PLUG, & NPT PLUG
- (20) M8 SOCKET HEAD BOLTS
- (20) M8 FLAT WASHERS

REQUIRED TOOLS

- SOCKET DRIVER
- SOCKET EXTENSION
- 10MM SOCKET
- 6MM ALLAN SOCKET
- TORQUE WRENCH

INSTALL TIME: 1-2 HOURS

INSTALL DIFFICULTY: 

INSTALLATION INSTRUCTIONS

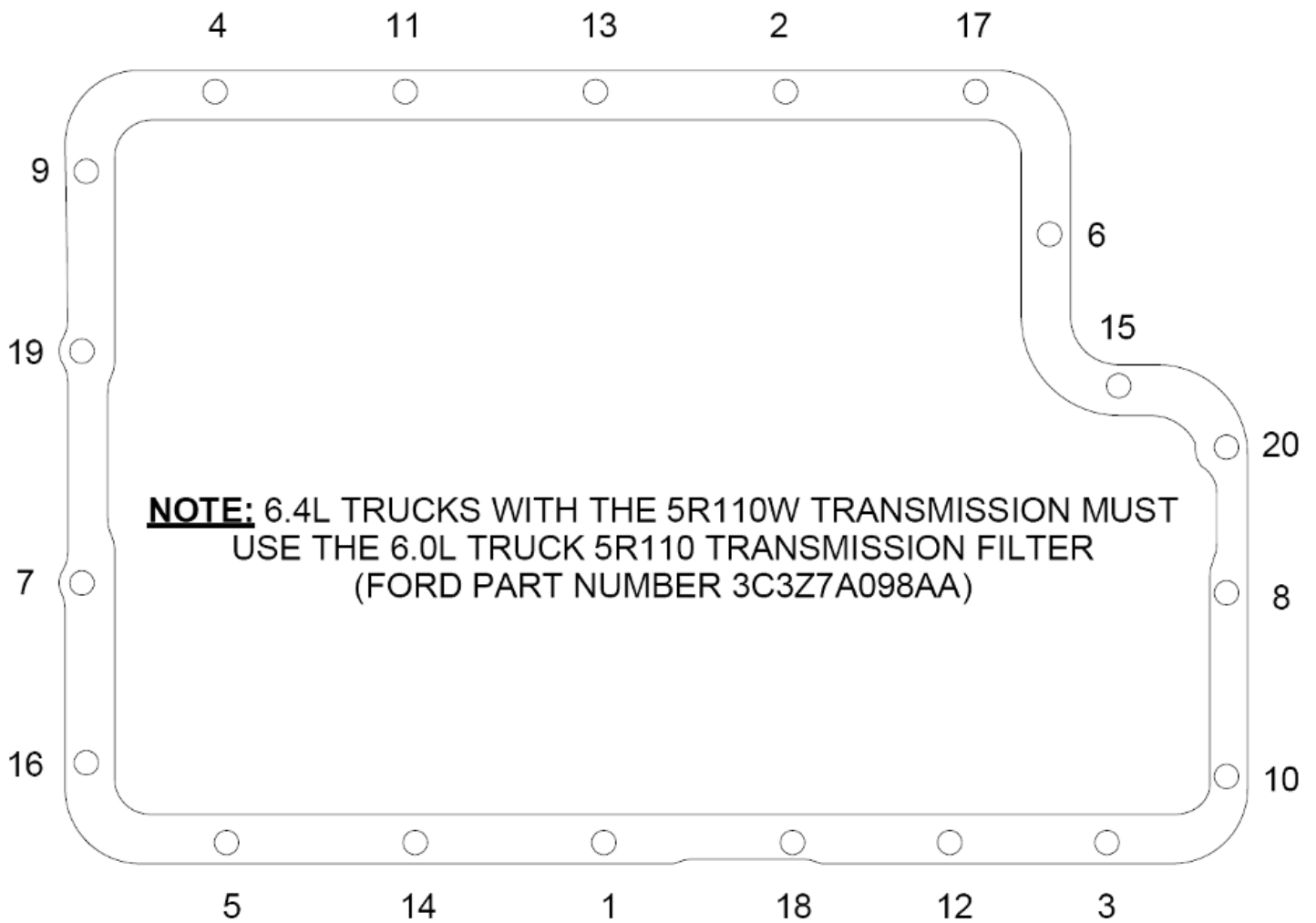
1. Remove the stock transmission pan & gasket and properly dispose of the used transmission fluid.
2. Mishimoto recommends replacing the internal transmission filter now while the fluid is drained and the pan is off. 6.4L trucks built 5/21/2007 or later that use OEM filter part number 8C3Z7A098D must use the previous version of this OEM filter (part number 3C3Z7A098AA), or the transmission pan will not fit. 6.4L trucks built before 5/21/2007, as well as 7.3L & 6.0L trucks, should use the standard manufacturer-specified filter. Follow the manufacturer's instructions on replacing the filter.



3. The Mishimoto transmission pan has pre-installed bolt retainers, which will allow the bolts to be held in place in the pan while it is being positioned onto the transmission. Insert the supplied bolts and washers into the bolt retainers.
4. Install the Mishimoto pan onto the transmission. Torque the bolts to 15 lb-ft in the sequence **shown on page 3**.
5. Refer to the factory service manual for proper transmission fluid fill procedures. The Mishimoto transmission pan adds approximately 10.5qt capacity. Be sure the proper fluid levels are reached before starting or driving the vehicle, or transmission damage could occur.
6. Check to ensure the NPT plug and drain plug are tightened properly and that there are no leaks.

Congratulations! You have finished your installation.

TORQUE BOLTS TO 15 LB-FT IN SEQUENCE SHOWN BELOW



DISPOSAL INSTRUCTIONS

- › Do not dispose of any product as unsorted municipal waste. Use separate collection facilities. Contact your local authority for information regarding the collection systems available.
- › Never improperly dispose of any coolant, oil, or other chemicals.

WARRANTY INFORMATION



- › All claims must be accompanied with a picture of the Mishimoto product showing the issue for which the claim is being submitted.
- › Mishimoto asks that the customer inspect their purchased item for any damage immediately upon arrival.
- › Any product deemed dead on arrival (DOA) must be claimed within 14 business days of delivery. Claims outside of this time frame will not be covered under the Mishimoto Lifetime Warranty.
- › This warranty does not include payment and/or reimbursement of the cost of labor in connection with the removal of any product returned pursuant to the warranty policy or in connection with the installation of any replacement items provided under the warranty policy.
- › Mishimoto has the right to refuse a claim at any time.

- › When Mishimoto accepts a claim, Mishimoto retains full discretion to choose if it will: (i) repair or replace purchaser's original Mishimoto product; (ii) replace purchaser's original Mishimoto product with the most current available model; or (iii) provide the purchaser with a gift card redeemable on Mishimoto.com in the amount of the original purchase price of the original Mishimoto product. The provision of a replacement of a Mishimoto product is subject to availability and Mishimoto retains the right to substitute any warranty claim item with a comparable item or credit at any time.
- › If Mishimoto determines that it will provide a replacement item in connection with a claim under this warranty policy, and such item is out of stock, Mishimoto will place the customer on backorder and ship the replacement product to the purchaser once it becomes available.
- › Mishimoto is not liable for incorrect shipments in connection with a claim if a claim form is completed incorrectly, or if a model number is not included in a claim.
- › If you have a vehicle equipped with an automatic transmission, please make sure to specify this within the text box on the claim form. Mishimoto is not responsible for incorrect replacement shipments if transmission type is not indicated.



WARNING
Cancer and
Reproductive Harm
www.P65Warnings.ca.gov

This product can expose you to chemicals which are known to the state of California to cause cancer. For more information visit: www.p65warnings.ca.gov