

BACKRACK™

FUNCTION AND STYLE FOR TODAY'S TRUCKS

INSTALLATION INSTRUCTIONS #INST227:

SIDE RAIL KIT #65221, 65521TB, 80521, 80521TB
2017- CURRENT SUPER DUTY ALUMINUM BODY

READ THIS NOW!

Your truck should look like the one shown. If you think you are missing any parts, think that this part number is not for your truck or have any installation question, call our customer service department at toll free:

800-265-8137 or locally **905 849-3633**.

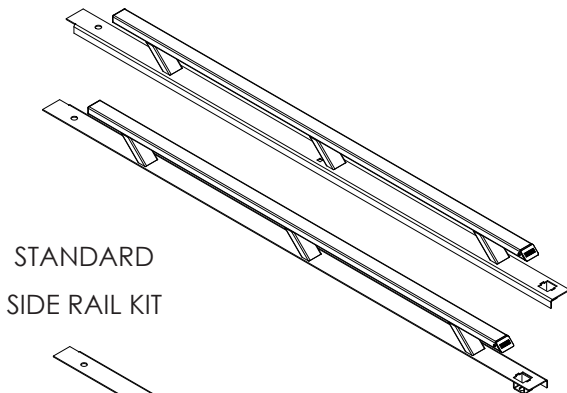
Other ways to reach BACKRACK:

Fax **905-849-4116**

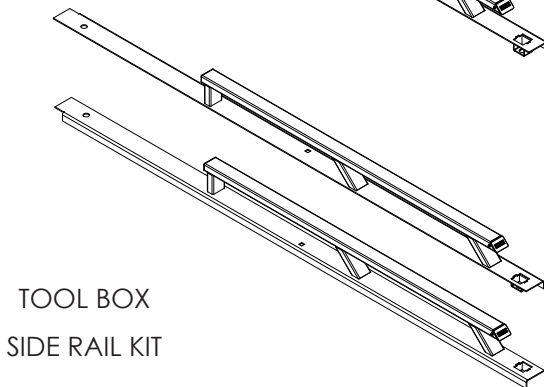
email: techsupport@backrack.ca



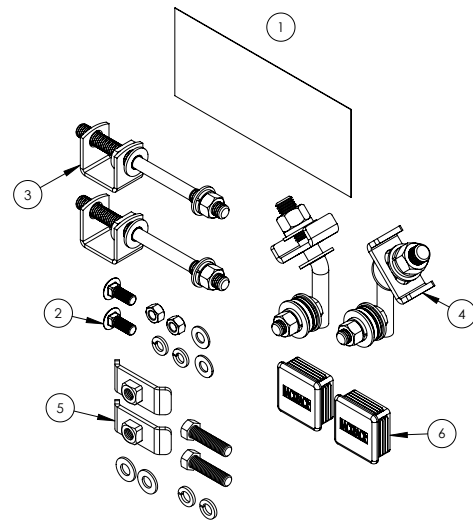
The SIDE RAILS are secured to your truck with a set of "Stake Pocket Bolts" specifically designed for your make and model of truck. These bolts mount into each of the two front and rear stake pockets. The SIDE RAIL assembly sits on the bed rails of your truck and is secured to these Stake Pocket Bolts. If your truck has a BEDLINER we suggest you remove it to install the Stake Pocket Bolts



STANDARD
SIDE RAIL KIT



TOOL BOX
SIDE RAIL KIT



ITEM NO.	PART NUMBER	DESCRIPTION	QTY.
1	INST227	Installation Instruction	1
2	BAG043*	Side Rail Centre Fasteners	1
3	BAG061	Side Rail Rear Fasteners	1
4	BAG075	Side Rail Fasteners	1
5	BAG070**	Stake Pocket Trim Cap	1
6	SF013	Stake Pocket Trim Cap	2

* Included with kits for 6.5 ft Box

** Included with kits for 8 ft Box

FOR MORE INFORMATION SCAN HERE!

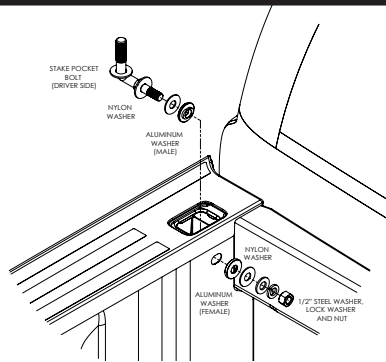
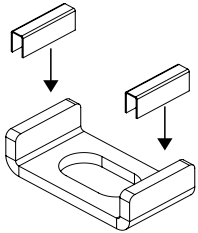


BACKRACK™

FUNCTION AND STYLE FOR TODAY'S TRUCKS

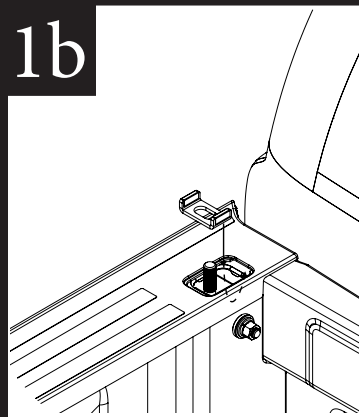
1a

Install adhesive rubber strips onto clip

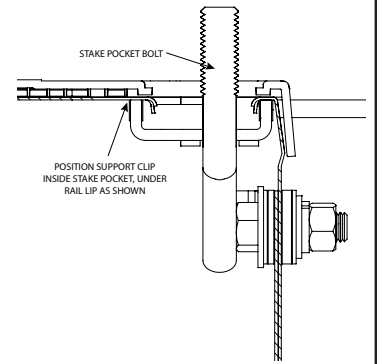


For each stake pocket bolt (driver and passenger) install nylon washer and aluminum washer over the rubberized end. Install the assembly into the stake pocket, and through the slot on the truck bed. Install the mating aluminum washer, nylon washer, 1/2" steel washer, lock washer and nut. Leave assembly finger tight at this stage.

1b

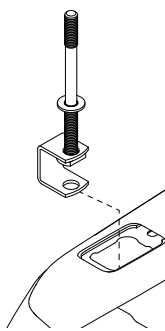


Insert support clip into stake bolt pocket and under the edges of the pocket opening



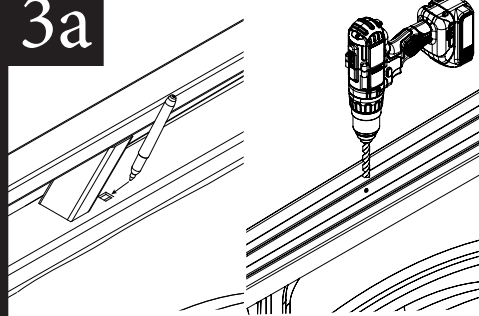
Cut away view showing support clip in correct position

2



Remove rear stake pocket cover, install rear stake pocket bolt by hooking under bracket inside pocket. Hand tighten the stud thru the hole until the washer (welded to the stud) bottoms out.

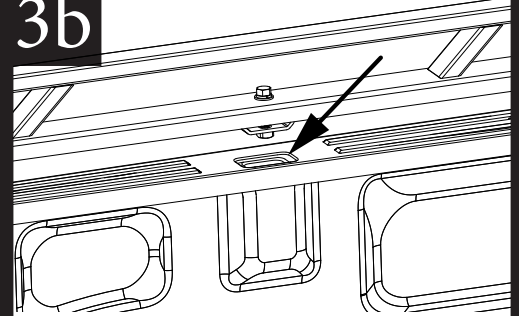
3a



****FOR 6.5' Beds Only***

Place the rails onto the truck locating over the stake pocket bolts, the rail can be temporarily hand tightened in place, or held firmly in place while marking. Mark the location of the square hole. Using a hand drill, carefully drill the center of the marked position with a 1/8" drill (pilot hole). Finish drilling rail with a 1/2" drill and de-bur the hole.

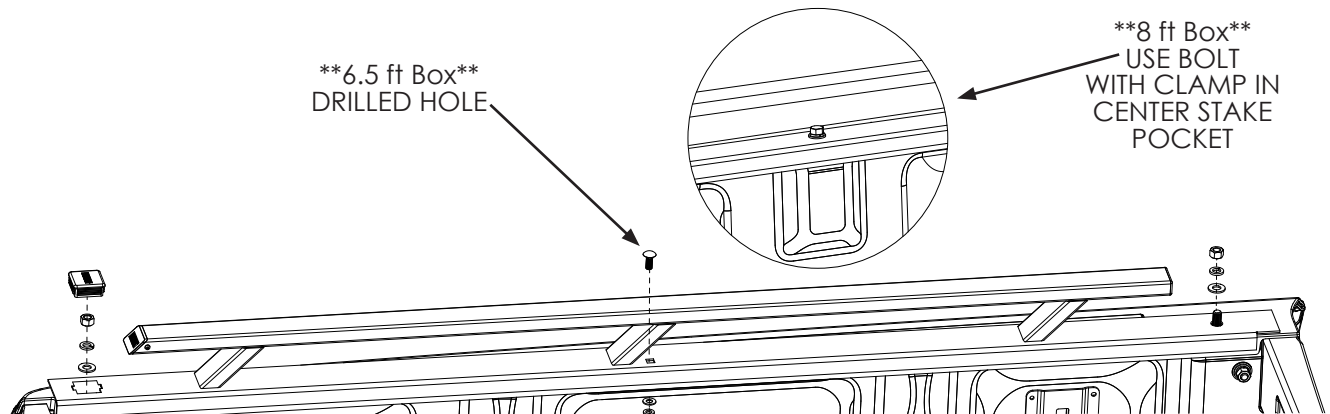
3b



****FOR 8' beds only****

Attach the center clamp to the side rail with the supplied bolt and washers. Leaving the clamp loose, place into the center stake pocket. Hand tighten, the clamp should rotate in the pocket and hold on the underside of the pocket.

4



****6.5 ft Box**
DRILLED HOLE**

****8 ft Box**
USE BOLT
WITH CLAMP IN
CENTER STAKE
POCKET**

Place side rail over the stake pocket bolts (5.5 and 6.5ft) . Hand tighten all bolts. Align side rail against inside and front of truck bed. Torque all bolts. Snap trim cap into rear square hole.

NOTE:

Illustration shows standard side rail kit, follow same procedure for tool box kit.